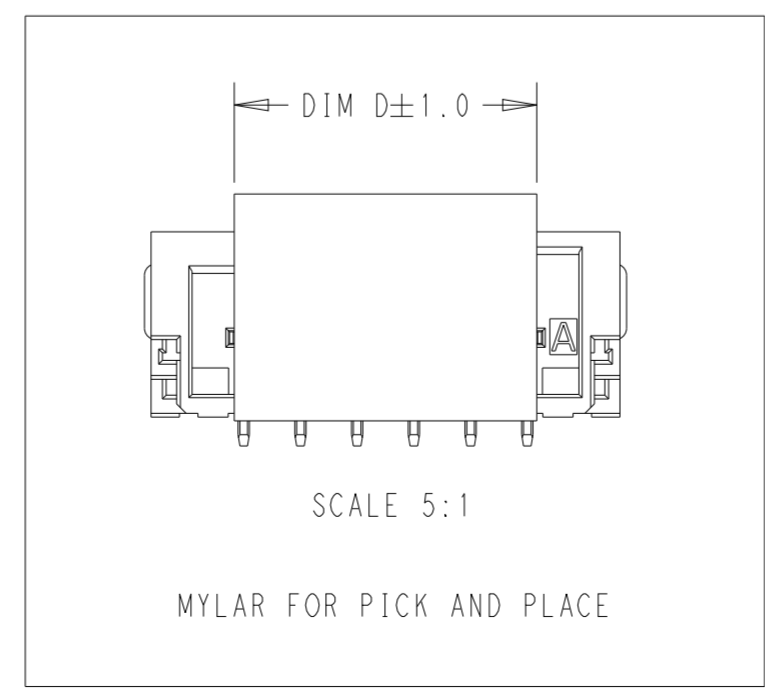
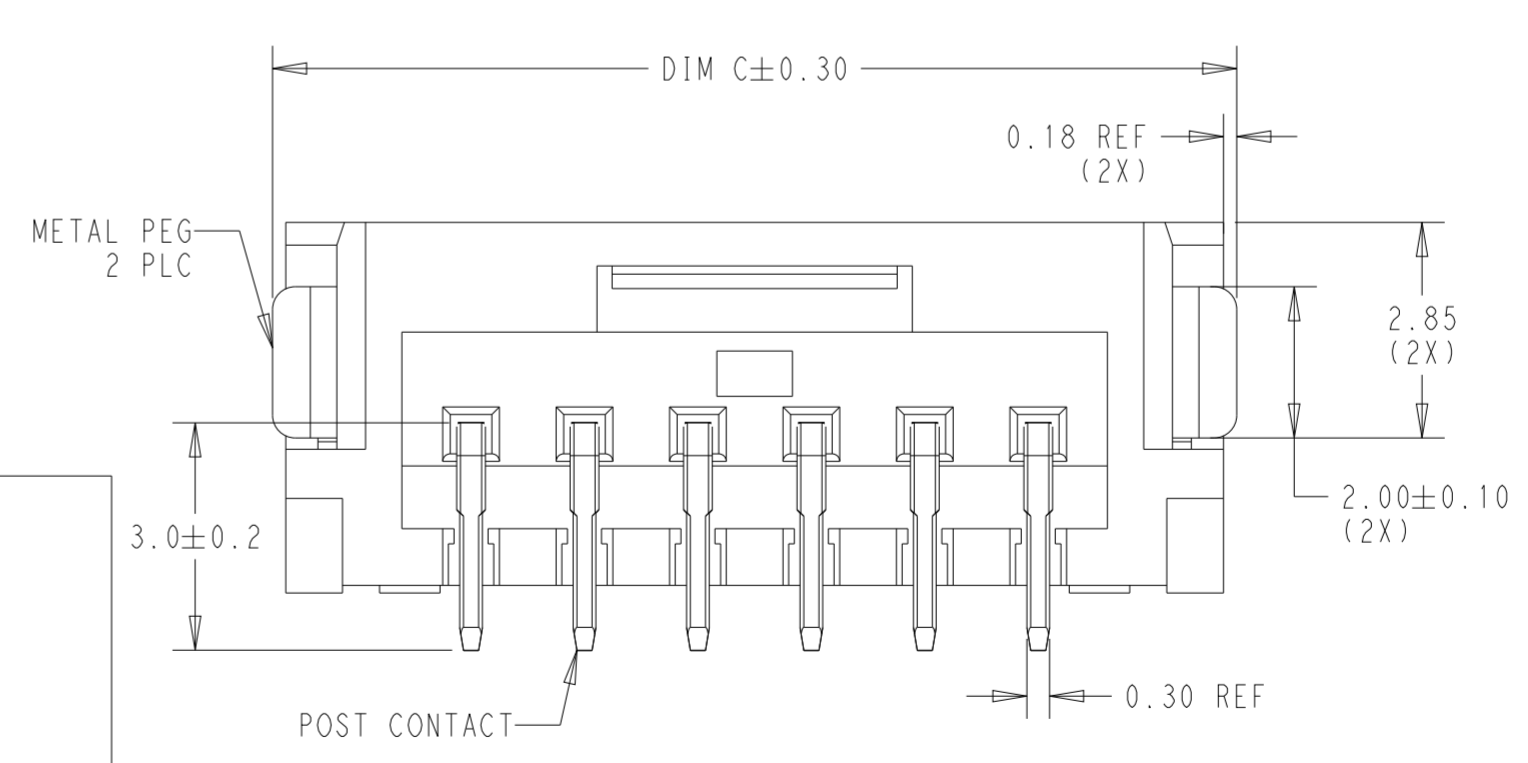
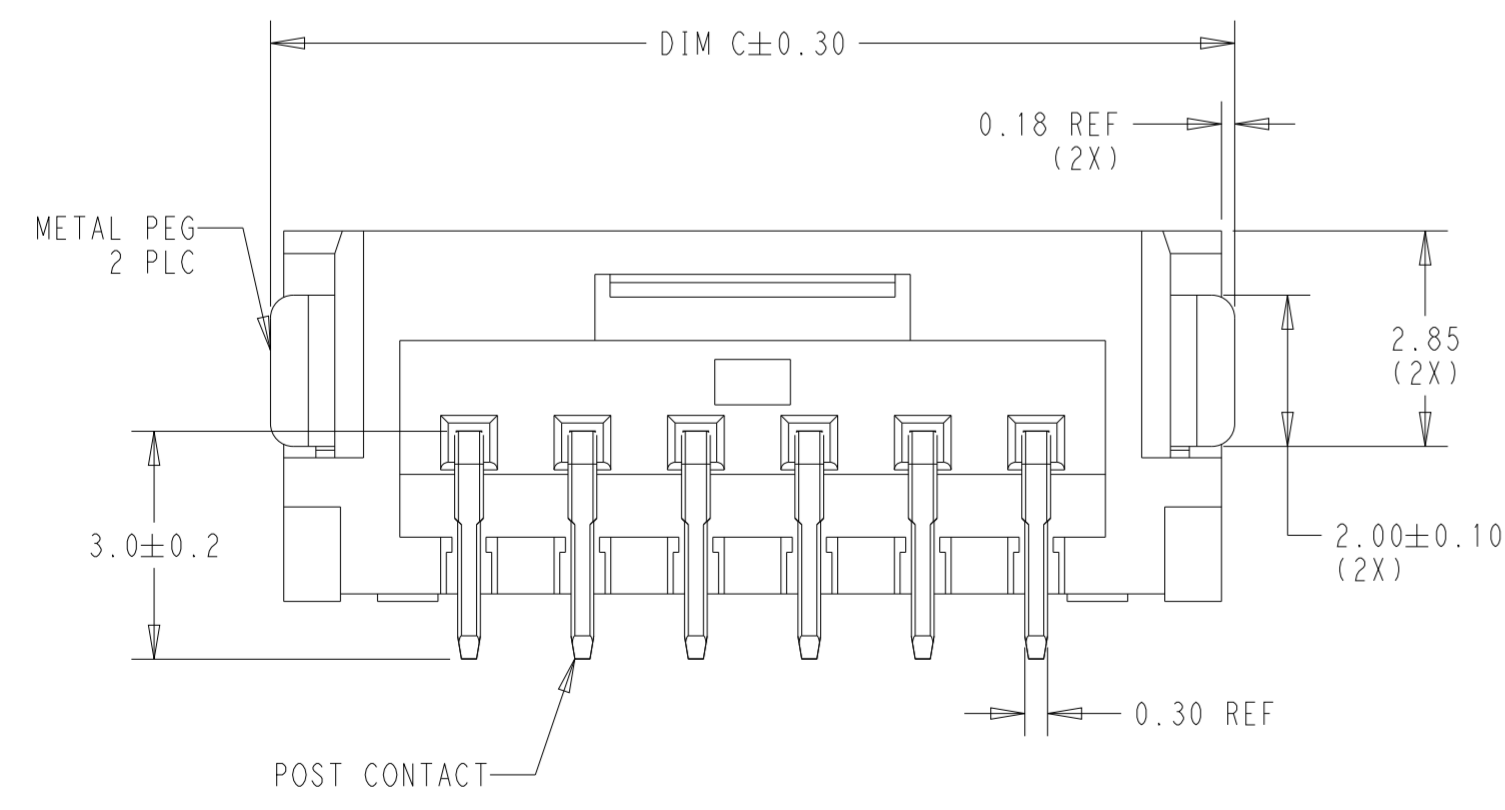
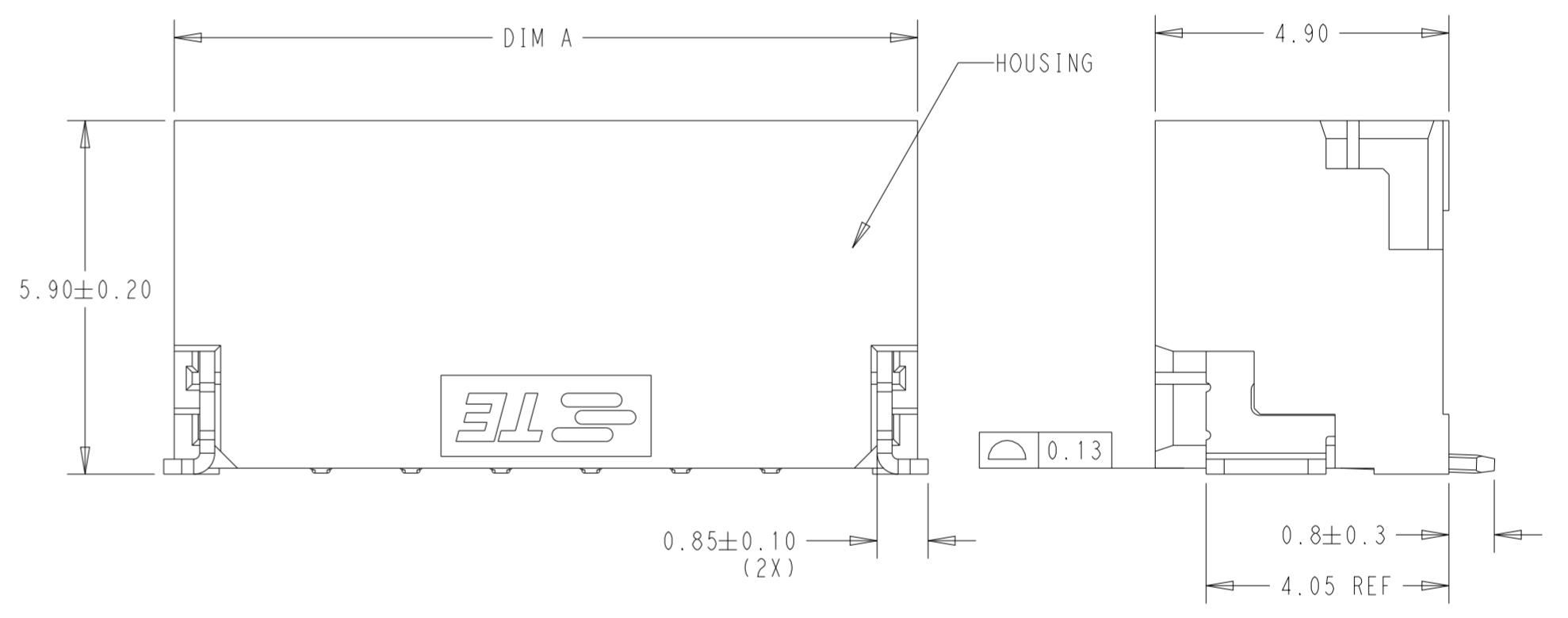
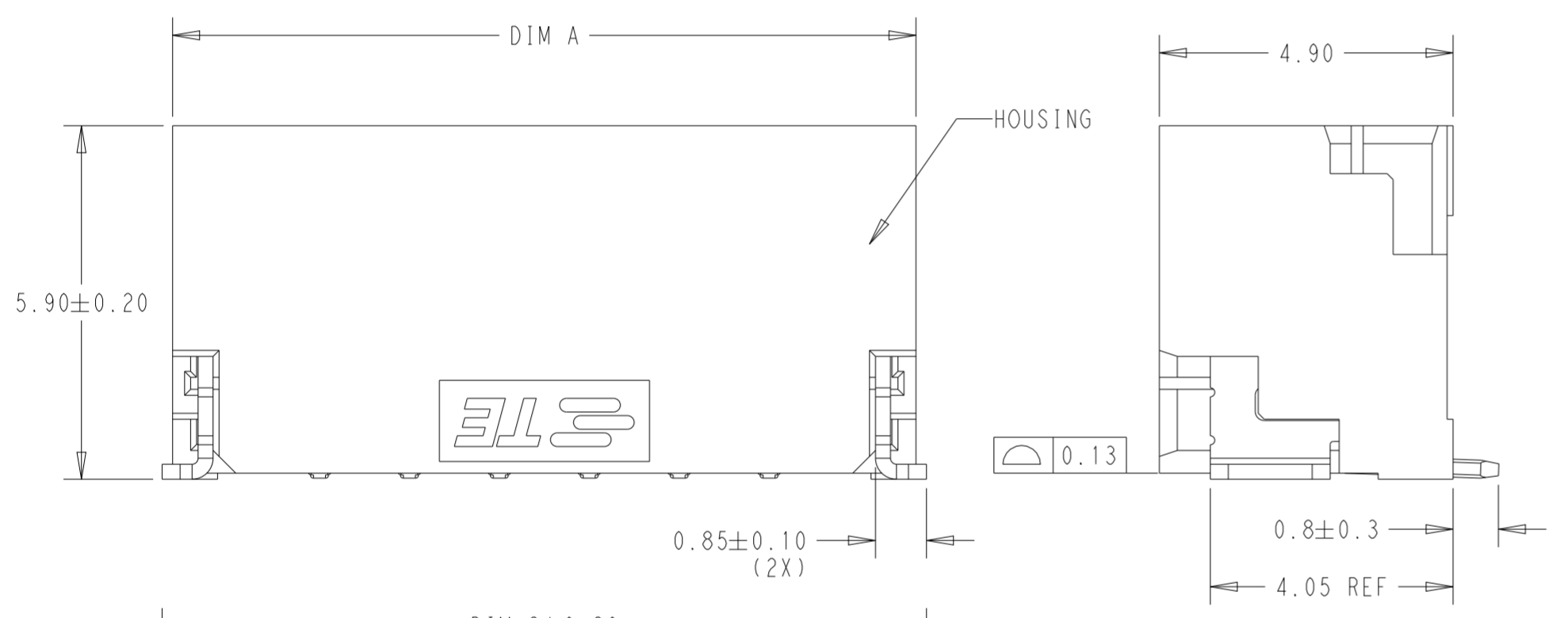
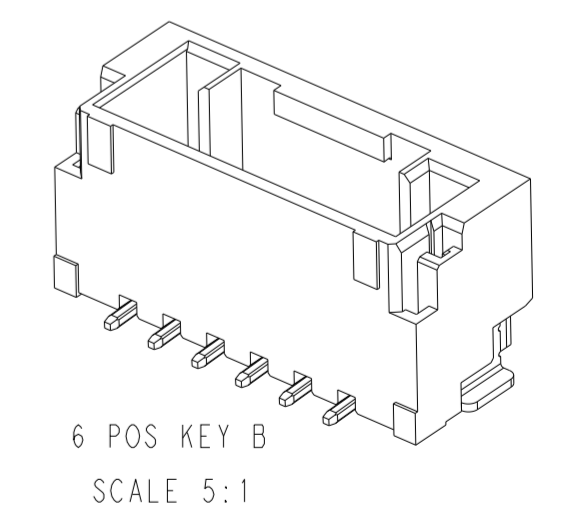
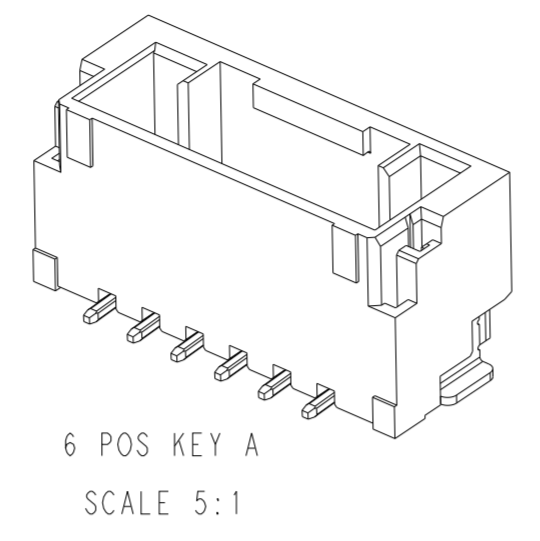
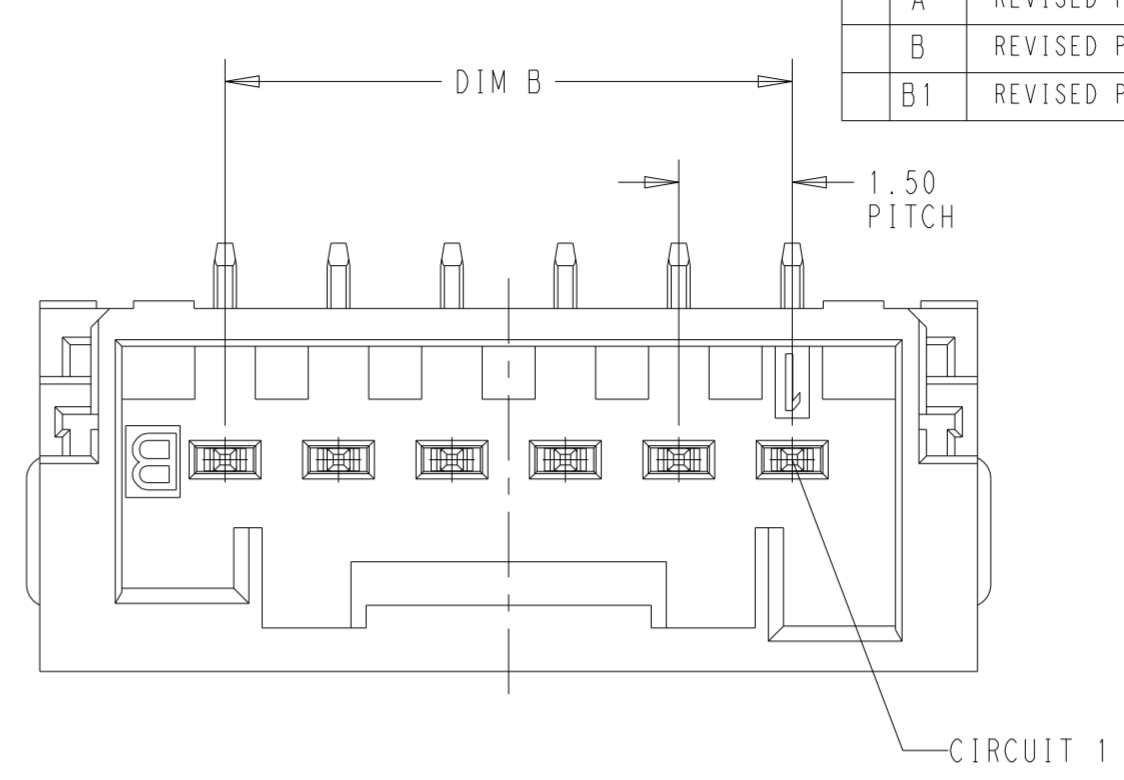
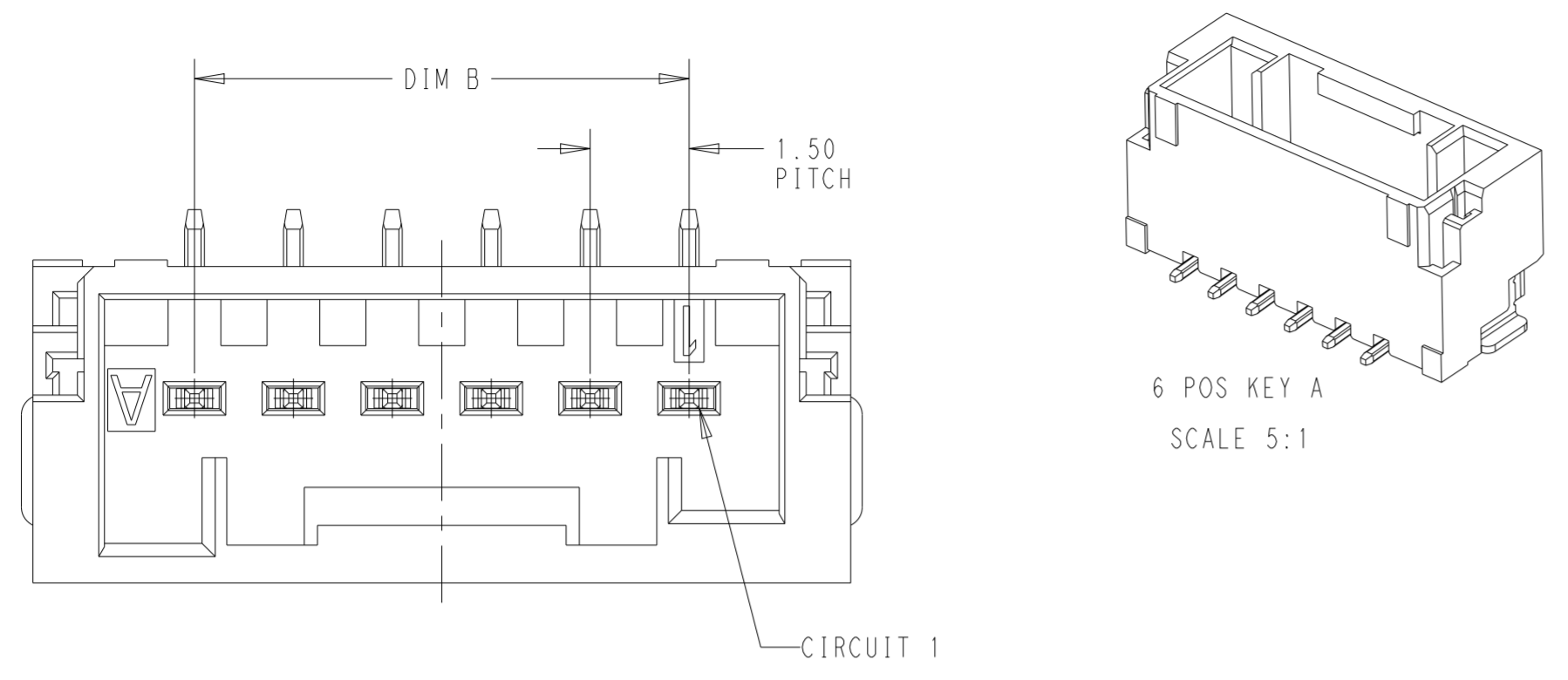


REVISIONS					
P	LTR	DESCRIPTION	DATE	DWN	APVD
10		REVISED PER ECN-22-177096	29SEP2022	N.H	L.C
A		REVISED PER ECN-22-182036	01NOV2022	N.H	L.C
B		REVISED PER ECR-23-162418	27APR2023	N.H	L.C
B1		REVISED PER ECR-23-177199	09JUN2023	N.H	L.C

KEYING A SHOWN FOR 6 POSITION

KEYING B SHOWN FOR 6 POSITION

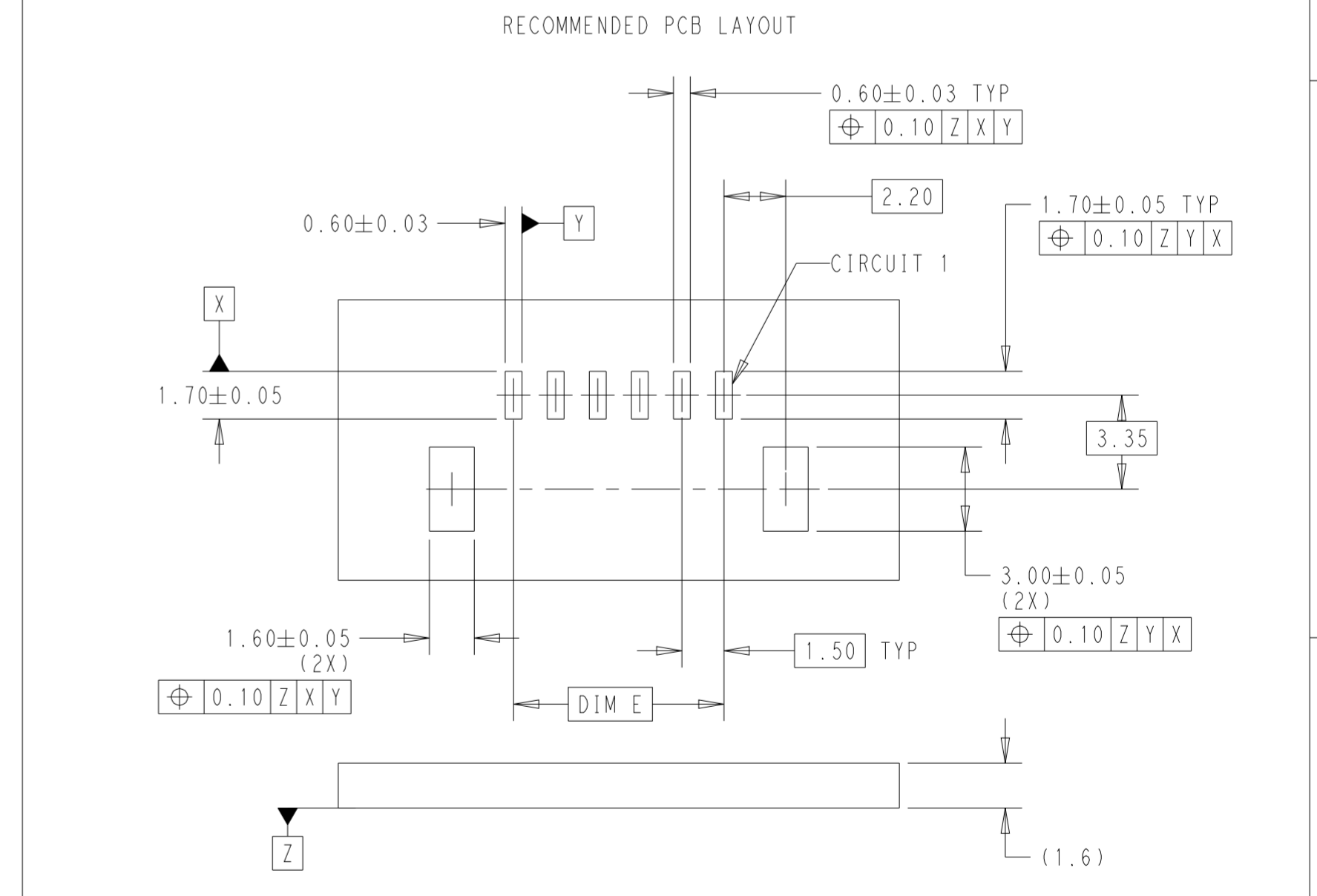
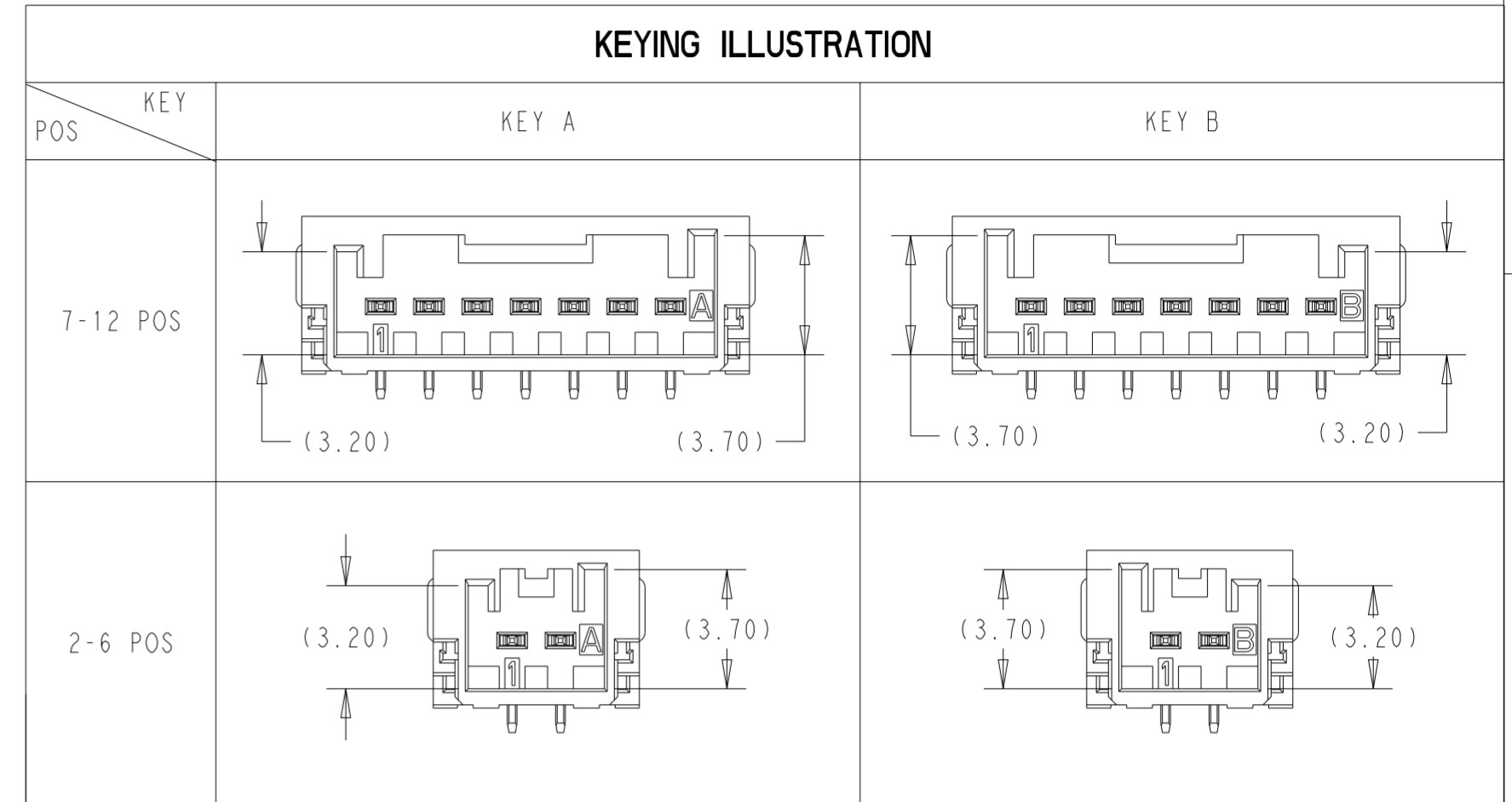


THIS DRAWING IS A CONTROLLED DOCUMENT.		DWN R. SMITH 05AUG2019	TE Connectivity	
		CHK L. CHEN 05AUG2019		
		APVD L. CHEN 05AUG2019	NAME HEADER ASSY, VT, SGI 1.50 SMT TYPE	
DIMENSIONS: mm		PRODUCT SPEC 108-106451		SIZE A2
TOLERANCES UNLESS OTHERWISE SPECIFIED: 0 PLC ± 1 PLC ±0.25 2 PLC ±0.15 3 PLC ± 4 PLC ±		APPLICATION SPEC 114-106497		CAGE CODE 00779
MATERIAL 1		WEIGHT -		DRAWING NO C-2360547
		CUSTOMER DRAWING		RESTRICTED TO -
		SCALE 10:1		SHEET 1 OF 5
				REV B1

REVISIONS

P	LTR	DESCRIPTION	DATE	DWN	APVD
-	-	SEE SHEET 1	-	-	-

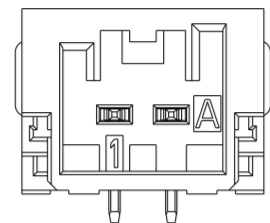
MATING PLUG HOUSING CRIMP VERSION	DIM E	DIM D	DIM C	DIM B	DIM A	POS	KEYING	COLOR	HEADER ASSEMBLY PART NO
2382946-2	1.5	6.0	6.75	1.5	6.4	2	A	NATURAL	2360547-2
2382946-3	3.0	6.0	8.25	3.0	7.9	3	A	NATURAL	2360547-3
2382946-4	4.5	8.8	9.75	4.5	9.4	4	A	NATURAL	2360547-4
2382946-5	6.0	8.8	11.25	6.0	10.9	5	A	NATURAL	2360547-5
2382946-6	7.5	8.8	12.75	7.5	12.4	6	A	NATURAL	2360547-6
2382946-7	9.0	8.8	14.25	9.0	13.9	7	A	NATURAL	2360547-7
2382946-8	10.5	8.8	15.75	10.5	15.4	8	A	NATURAL	2360547-8
2382946-9	12.0	8.8	17.25	12.0	16.9	9	A	NATURAL	2360547-9
1-2382946-0	13.5	8.8	18.75	13.5	18.4	10	A	NATURAL	1-2360547-0
1-2382946-1	15.0	8.8	20.25	15.0	19.9	11	A	NATURAL	1-2360547-1
1-2382946-2	16.5	8.8	21.75	16.5	21.4	12	A	NATURAL	1-2360547-2
2-2382946-2	1.5	6.0	6.75	1.5	6.4	2	B	BLACK	2-2360547-2
2-2382946-3	3.0	6.0	8.25	3.0	7.9	3	B	BLACK	2-2360547-3
2-2382946-4	4.5	8.8	9.75	4.5	9.4	4	B	BLACK	2-2360547-4
2-2382946-5	6.0	8.8	11.25	6.0	10.9	5	B	BLACK	2-2360547-5
2-2382946-6	7.5	8.8	12.75	7.5	12.4	6	B	BLACK	2-2360547-6
2-2382946-7	9.0	8.8	14.25	9.0	13.9	7	B	BLACK	2-2360547-7
2-2382946-8	10.5	8.8	15.75	10.5	15.4	8	B	BLACK	2-2360547-8
2-2382946-9	12.0	8.8	17.25	12.0	16.9	9	B	BLACK	2-2360547-9
3-2382946-0	13.5	8.8	18.75	13.5	18.4	10	B	BLACK	3-2360547-0
3-2382946-1	15.0	8.8	20.25	15.0	19.9	11	B	BLACK	3-2360547-1
3-2382946-2	16.5	8.8	21.75	16.5	21.4	12	B	BLACK	3-2360547-2
4-2382946-2	1.5	6.0	6.75	1.5	6.4	2	A	RED	4-2360547-2
4-2382946-3	3.0	6.0	8.25	3.0	7.9	3	A	RED	4-2360547-3
4-2382946-4	4.5	8.8	9.75	4.5	9.4	4	A	RED	4-2360547-4
4-2382946-5	6.0	8.8	11.25	6.0	10.9	5	A	RED	4-2360547-5
4-2382946-6	7.5	8.8	12.75	7.5	12.4	6	A	RED	4-2360547-6
4-2382946-7	9.0	8.8	14.25	9.0	13.9	7	A	RED	4-2360547-7
4-2382946-8	10.5	8.8	15.75	10.5	15.4	8	A	RED	4-2360547-8
4-2382946-9	12.0	8.8	17.25	12.0	16.9	9	A	RED	4-2360547-9
5-2382946-0	13.5	8.8	18.75	13.5	18.4	10	A	RED	5-2360547-0
5-2382946-1	15.0	8.8	20.25	15.0	19.9	11	A	RED	5-2360547-1
5-2382946-2	16.5	8.8	21.75	16.5	21.4	12	A	RED	5-2360547-2
6-2382946-2	1.5	6.0	6.75	1.5	6.4	2	B	BLUE	6-2360547-2
6-2382946-3	3.0	6.0	8.25	3.0	7.9	3	B	BLUE	6-2360547-3
6-2382946-4	4.5	8.8	9.75	4.5	9.4	4	B	BLUE	6-2360547-4
6-2382946-5	6.0	8.8	11.25	6.0	10.9	5	B	BLUE	6-2360547-5
6-2382946-6	7.5	8.8	12.75	7.5	12.4	6	B	BLUE	6-2360547-6
6-2382946-7	9.0	8.8	14.25	9.0	13.9	7	B	BLUE	6-2360547-7
6-2382946-8	10.5	8.8	15.75	10.5	15.4	8	B	BLUE	6-2360547-8
6-2382946-9	12.0	8.8	17.25	12.0	16.9	9	B	BLUE	6-2360547-9
7-2382946-0	13.5	8.8	18.75	13.5	18.4	10	B	BLUE	7-2360547-0
7-2382946-1	15.0	8.8	20.25	15.0	19.9	11	B	BLUE	7-2360547-1
7-2382946-2	16.5	8.8	21.75	16.5	21.4	12	B	BLUE	7-2360547-2
8-2382946-2	1.5	6.0	6.75	1.5	6.4	2	A	YELLOW	8-2360547-2
8-2382946-3	3.0	6.0	8.25	3.0	7.9	3	A	YELLOW	8-2360547-3
8-2382946-4	4.5	8.8	9.75	4.5	9.4	4	A	YELLOW	8-2360547-4
8-2382946-5	6.0	8.8	11.25	6.0	10.9	5	A	YELLOW	8-2360547-5
8-2382946-6	7.5	8.8	12.75	7.5	12.4	6	A	YELLOW	8-2360547-6
8-2382946-7	9.0	8.8	14.25	9.0	13.9	7	A	YELLOW	8-2360547-7
8-2382946-8	10.5	8.8	15.75	10.5	15.4	8	A	YELLOW	8-2360547-8
8-2382946-9	12.0	8.8	17.25	12.0	16.9	9	A	YELLOW	8-2360547-9
9-2382946-0	13.5	8.8	18.75	13.5	18.4	10	A	YELLOW	9-2360547-0
9-2382946-1	15.0	8.8	20.25	15.0	19.9	11	A	YELLOW	9-2360547-1
9-2382946-2	16.5	8.8	21.75	16.5	21.4	12	A	YELLOW	9-2360547-2



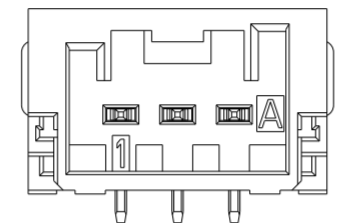
THIS DRAWING IS A CONTROLLED DOCUMENT.		DWN R. SMITH 05AUG2019	TE Connectivity	
		CHK L. CHEN 05AUG2019		
		APVD L. CHEN 05AUG2019	NAME HEADER ASSY, VT, SGI 1.50 SMT TYPE	
DIMENSIONS: mm		TOLERANCES UNLESS OTHERWISE SPECIFIED:		PRODUCT SPEC 108-106451
		0 PLC ± 1 PLC ±0.25 2 PLC ±0.15 3 PLC ± 4 PLC ± ANGLES ± FINISH ±		APPLICATION SPEC 114-106497
MATERIAL 		WEIGHT -		SIZE A2
		CUSTOMER DRAWING		CAGE CODE 00779
		SCALE 5:1		DRAWING NO C-2360547
		SHEET 2 OF 5		RESTRICTED TO -
				REV B1

REVISIONS				
P	LTR	DESCRIPTION	DATE	APVD
-		SEE SHEET 1	-	-

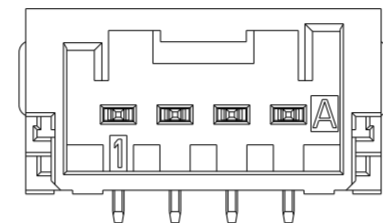
KEY A SHOWN FOR ALL POSITIONS



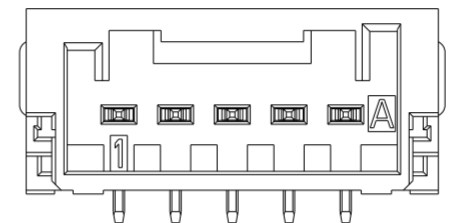
2 POSITION



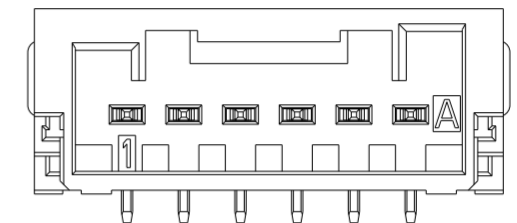
3 POSITION



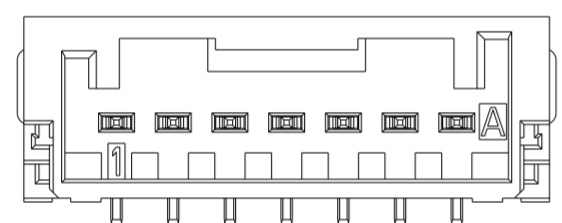
4 POSITION



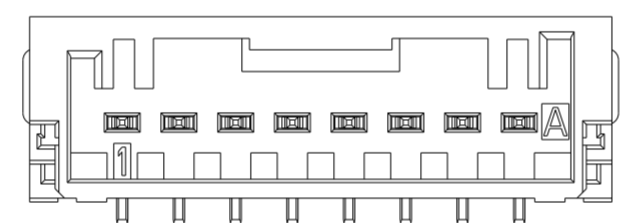
5 POSITION



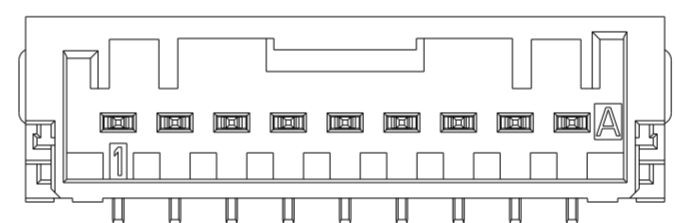
6 POSITION



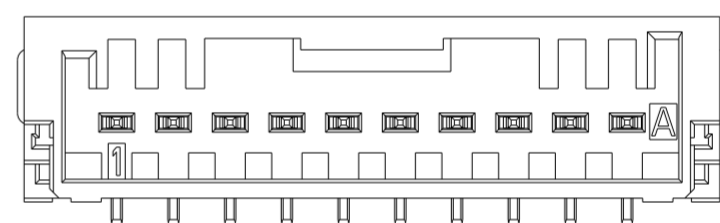
7 POSITION



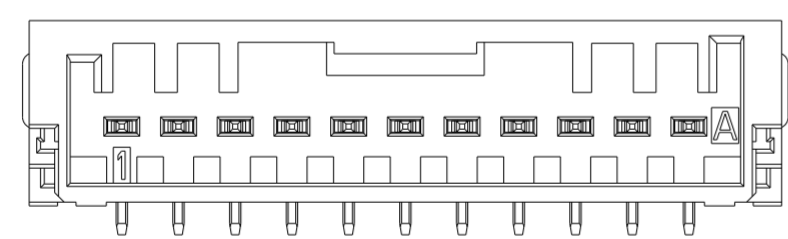
8 POSITION



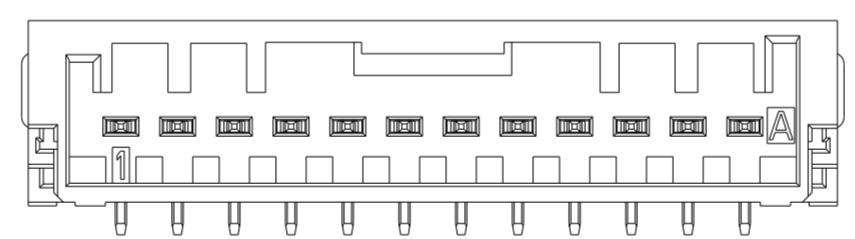
9 POSITION



10 POSITION



11 POSITION



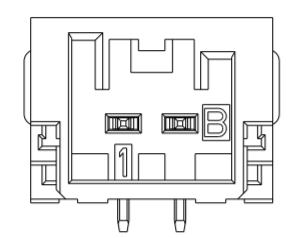
12 POSITION

- 1 MATERIAL
HOUSING: HIGH TEMP NYLON (PA4T), UL94 V-0
POST CONTACT: BRASS, THICKNESS 0.30
METAL PEG: STEEL, THICKNESS 0.25
- 2 PLATING
POST CONTACT: 1.0um MIN TIN OVER 1.27um MIN NICKEL
METAL PEG: 2.0um MIN TIN OVER 1.27um MIN NICKEL
- 3 MATING PARTS: SEE TABLE ON PAGE 2.

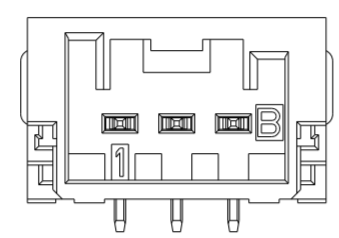
THIS DRAWING IS A CONTROLLED DOCUMENT.		DWN R SMITH 05AUG2019		
DIMENSIONS: mm		CHK L CHEN 05AUG2019		
TOLERANCES UNLESS OTHERWISE SPECIFIED:		APVD L CHEN 05AUG2019	NAME HEADER ASSY, VT, SGI 1.50 SMT TYPE	
0 PLC ± 1 PLC ±0.25 2 PLC ±0.15 3 PLC ± 4 PLC ±		PRODUCT SPEC 108-106451	SIZE A2	
MATERIAL		APPLICATION SPEC 114-106497	CAGE CODE 00779	DRAWING NO C-2360547
FINISH		WEIGHT -	RESTRICTED TO -	
1		CUSTOMER DRAWING		SCALE 5:1 SHEET 3 OF 5 REV B1

REVISIONS				
P	LTR	DESCRIPTION	DATE	APVD
-		SEE SHEET 1	-	-

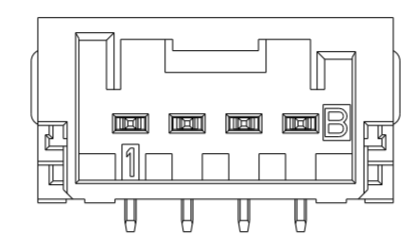
KEY B SHOWN FOR ALL POSITIONS



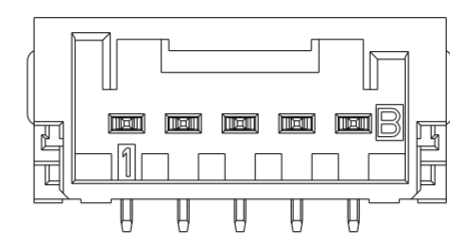
2 POSITION



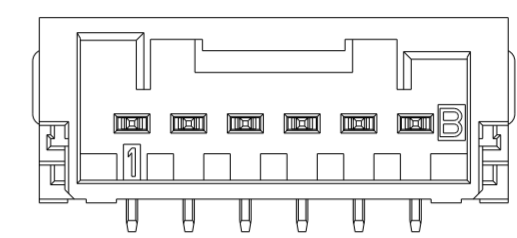
3 POSITION



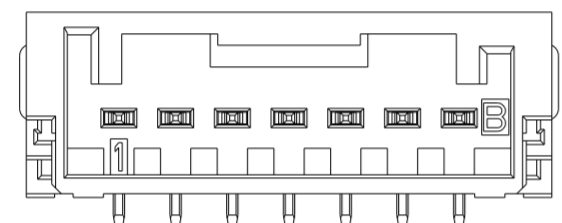
4 POSITION



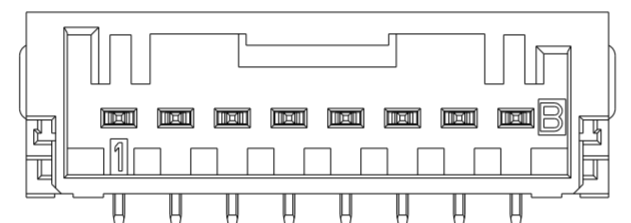
5 POSITION



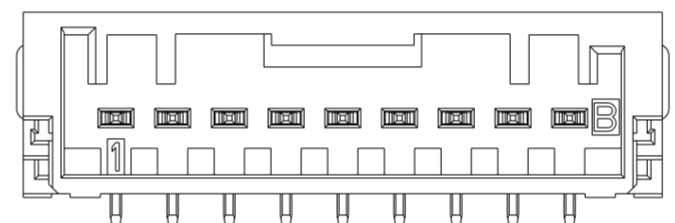
6 POSITION



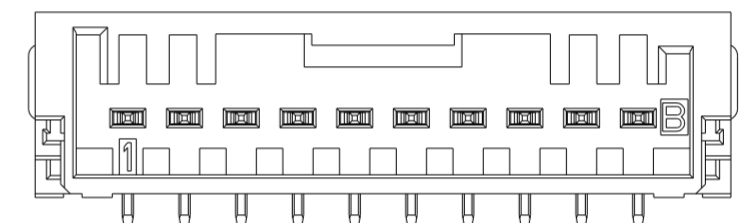
7 POSITION



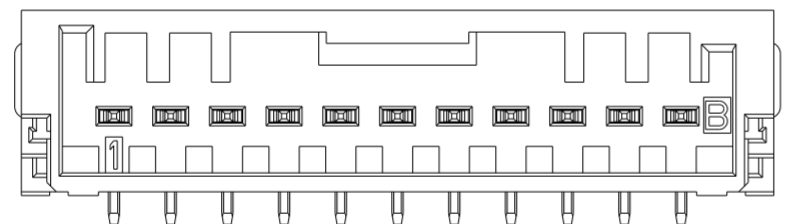
8 POSITION



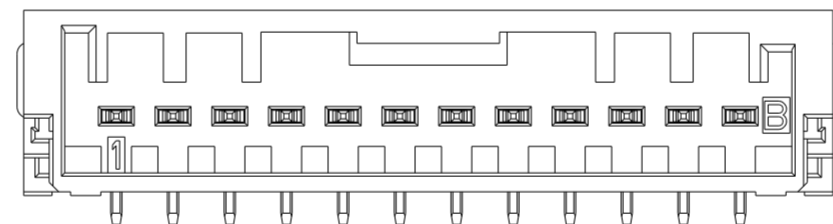
9 POSITION



10 POSITION



11 POSITION



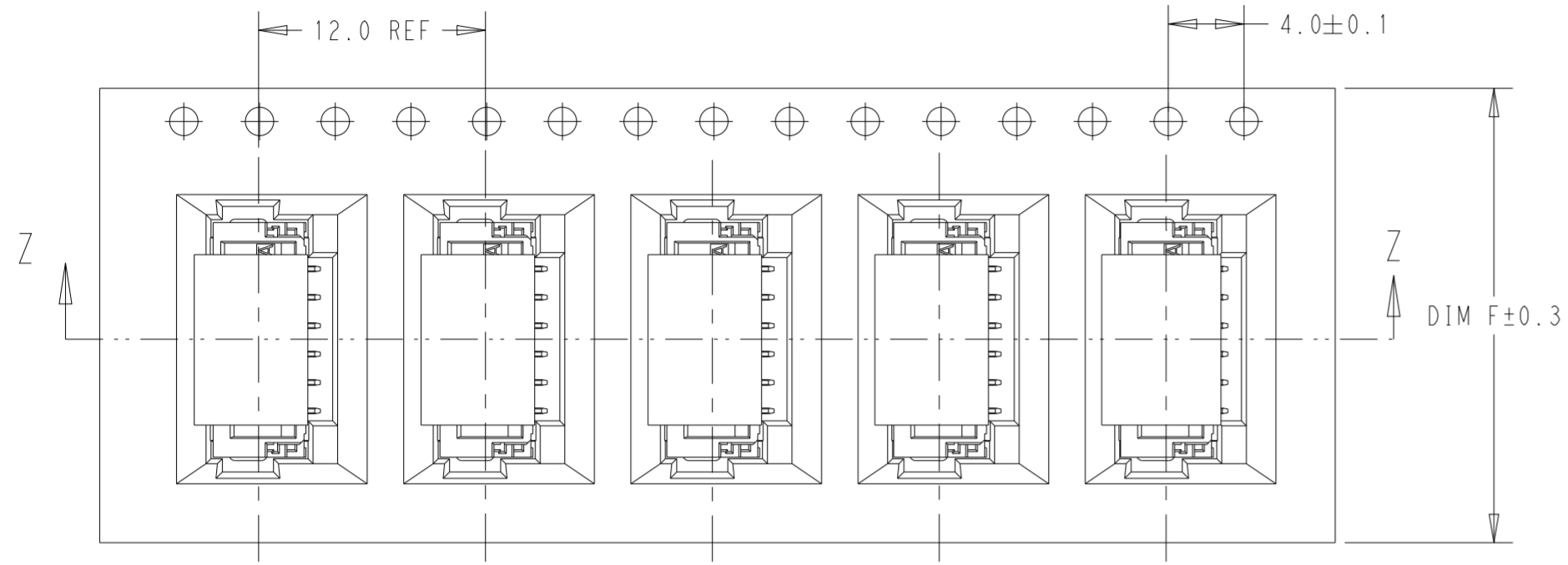
12 POSITION

THIS DRAWING IS A CONTROLLED DOCUMENT.		DWN R. SMITH 05AUG2019		
DIMENSIONS: mm		CHK L. CHEN 05AUG2019		
TOLERANCES UNLESS OTHERWISE SPECIFIED:		APVD L. CHEN 05AUG2019	NAME HEADER ASSY, VT, SGI 1.50 SMT TYPE	
0 PLC ± 1 PLC ±0.25 2 PLC ±0.15 3 PLC ± 4 PLC ± ANGLES ± FINISH ±		PRODUCT SPEC 108-106451	SIZE A2	
MATERIAL		APPLICATION SPEC 114-106497	CAGE CODE 00779	DRAWING NO C-2360547
		WEIGHT -	RESTRICTED TO -	
		CUSTOMER DRAWING		SCALE 5:1 SHEET 4 OF 5 REV B1

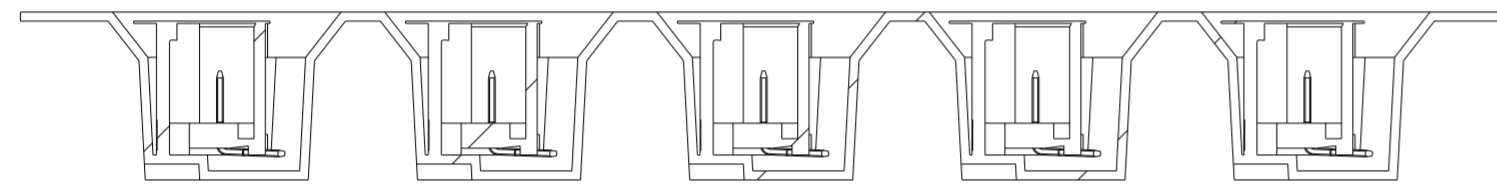
P	LTR	DESCRIPTION	DATE	DWN	APVD
-	-	SEE SHEET 1	-	-	-

USER DIRECTION OF UNREELING →

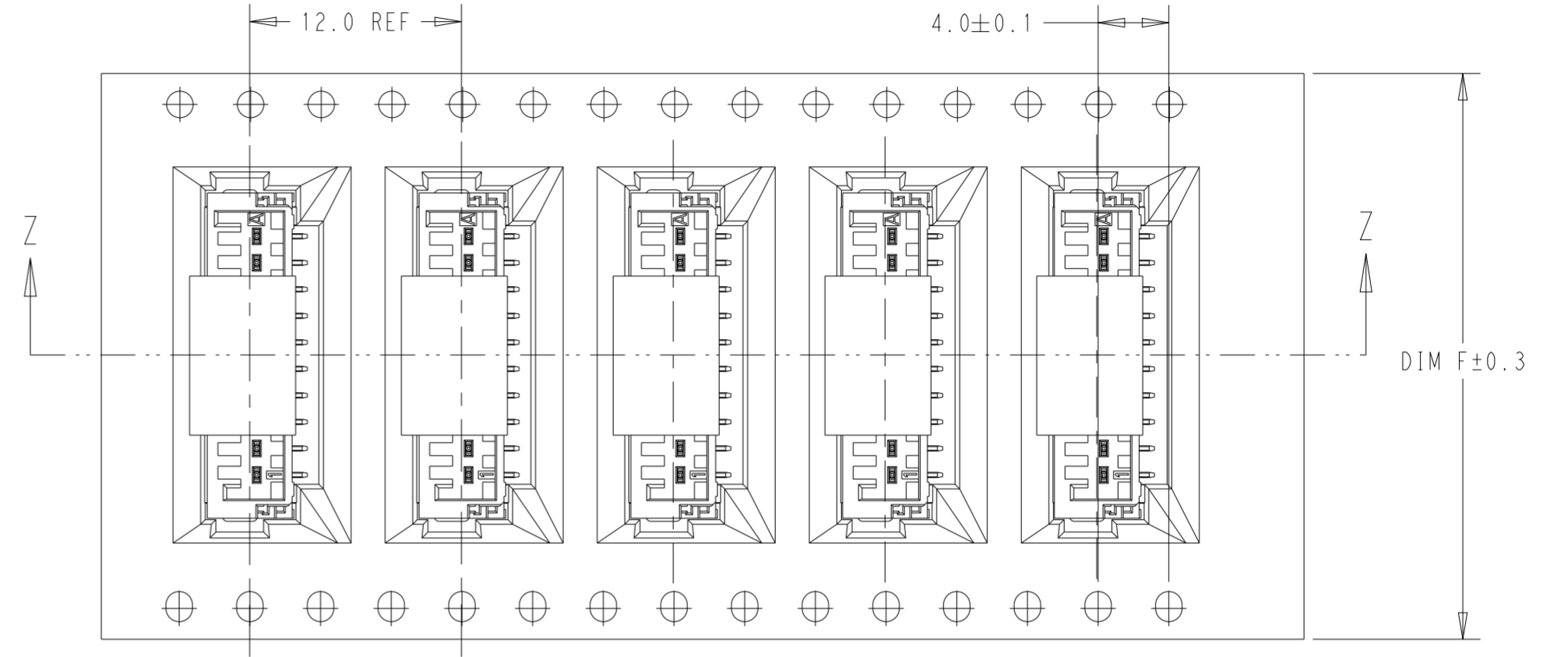
USER DIRECTION OF UNREELING →



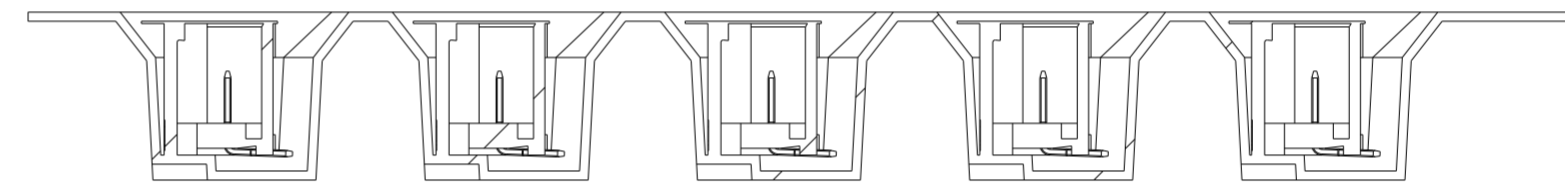
SCALE 3:1



SECTION Z-Z
FOR 2-6 POSITIONS

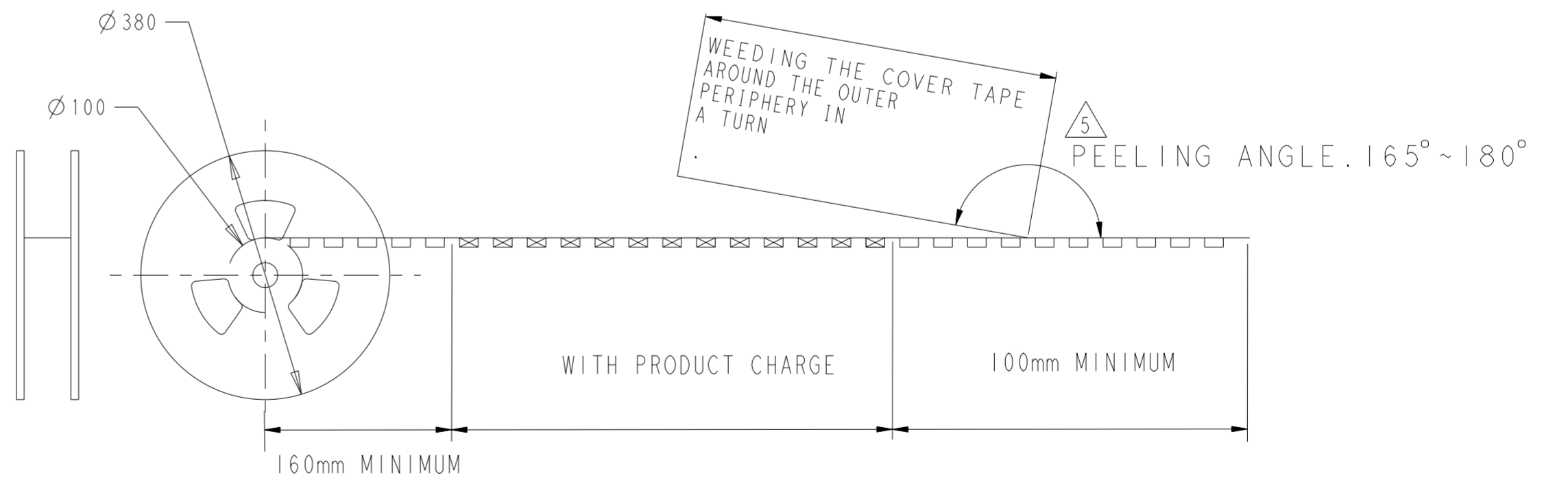


SCALE 3:1



SECTION Z-Z
FOR 7-12 POSITIONS

11-12	44.0	1000
7-10	32.0	1000
3-6	24.0	1000
2	16.0	1000
POSITION	DIM F	QTY/REEL



NOTES FOR PACKAGE:

4. UNLESS OTHERWISE SPECIFIED TOLERANCE PER EIA-481.

5. EMBOSS TAPE PEELING STRENGTH : 0.1N ~ 1.3N
PEELING CONDITION
PEELING ANGLE : 165~180°
PEELING SPEED : 300mm/MINUTE

DIMENSIONS:		TOLERANCES UNLESS OTHERWISE SPECIFIED:		APVD		NAME	
mm	0 PLC ±	1 PLC ±0.25	2 PLC ±0.15	APVD	1 CHEN	05AUG2019	TE Connectivity
	3 PLC ±	4 PLC ±	ANGLES ±	PRODUCT SPEC	108-106451		HEADER ASSY, VT, SGI 1.50 SMT TYPE
MATERIAL	FINISH			APPLICATION SPEC	114-106497		SIZE CAGE CODE DRAWING NO RESTRICTED TO
1	2			WEIGHT	-		A2 00779 C-2360547 -
CUSTOMER DRAWING				SCALE	5:1	SHEET	5 OF 5 REV B1