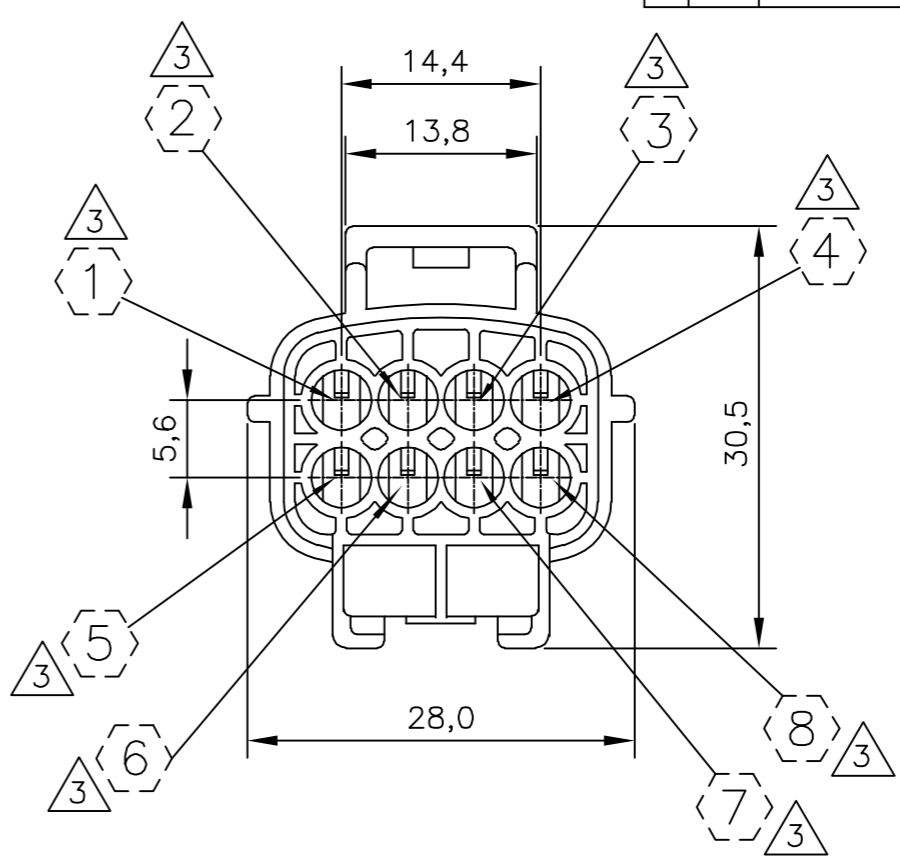
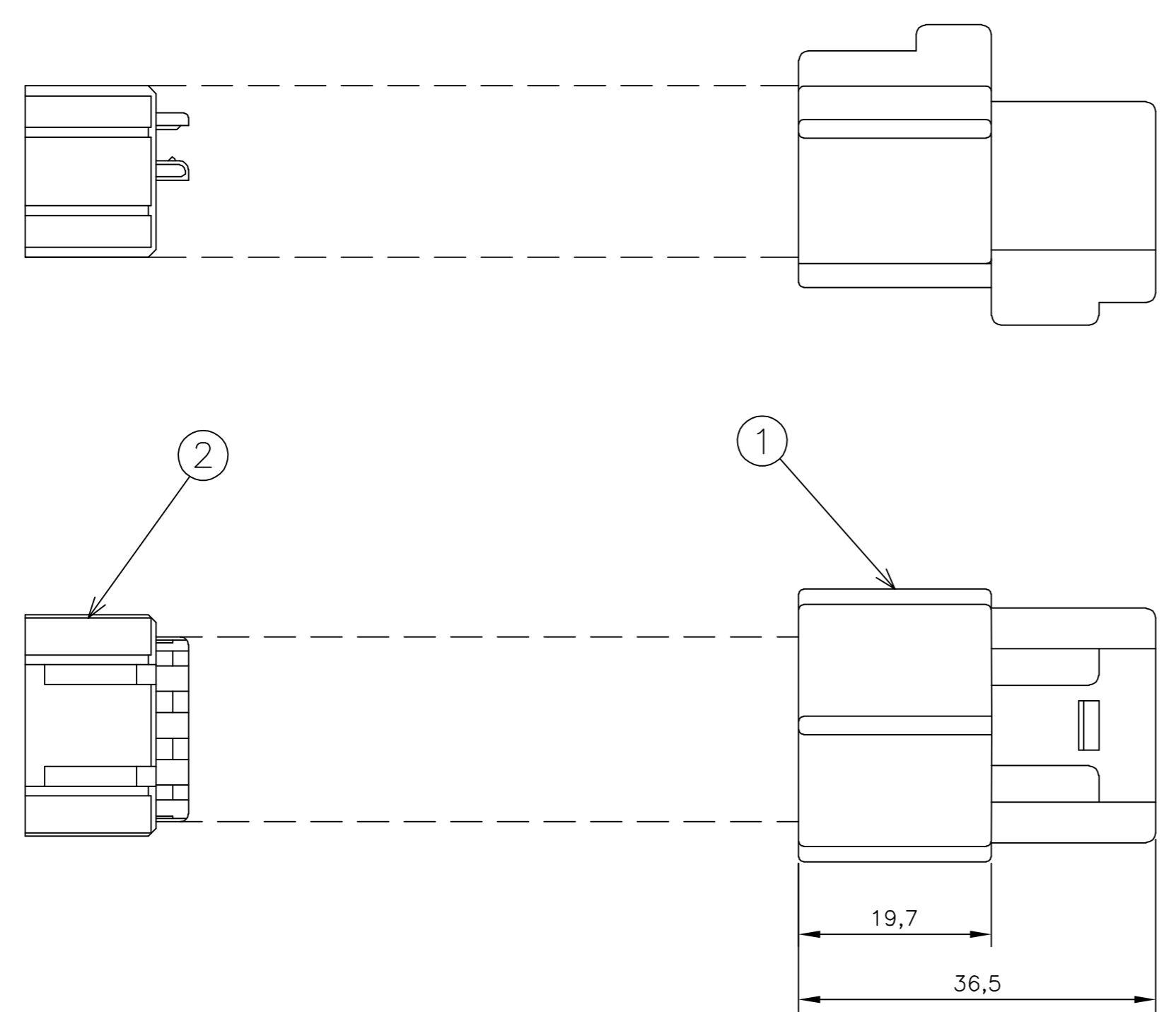


THIS DRAWING IS UNPUBLISHED. RELEASED FOR PUBLICATION
 © COPYRIGHT - By - ALL RIGHTS RESERVED.

LOC		DIST		REVISIONS			
P	LTR	DESCRIPTION	DATE	DWN	APVD		
AP	-	B1	REVISED DESIGN ECO-12-009584	24MAY2012	NCL	GOJ	



- 1 - OS ITENS 1 e 2 DEVEM SER FORNECIDOS DESMONTADOS
ITEMS 1 AND 2 MUST BE SUPPLIED NOT ASSEMBLED
- 2 - CONTRA-PEÇA: VER DESENHO PN 444143
COUNTER-PART: SEE DRAWING PN 444143
- ⚠ - INDICAÇÃO DOS CIRCUITOS SOMENTE ORIENTATIVO: NÃO CONSTAM COMO GRAVAÇÃO NA PEÇA FÍSICA
CIRCUIT INDICATION IS ONLY ORIENTATIVE: DON'T HAVE MARKING IN THE PHYSICAL PART

SELOS RECOMENDADOS RECOMMENDED WIRE SEALS					
PART NUMBER	DESCRIÇÃO DESCRIPTION	WIRE RANGE	INSULATION RANGE	MATERIAL	ACABAMENTO FINISH
172748-1	SINGLE WIRE SEAL	CAVITY PLUG	CAVITY PLUG	SILICONE / SILICON	PRETO/BLACK
172748-2	SINGLE WIRE SEAL	CAVITY PLUG	CAVITY PLUG	SILICONE / SILICON	CINZA/GRAY
444430-1	SINGLE WIRE SEAL	0,5 TO 1,5mm ²	Ø 1,4 TO 2,4mm	SILICONE / SILICON	MARRROM/BROWN

TERMINAIS RECOMENDADOS RECOMMENDED TERMINALS					
PART NUMBER	DESCRIÇÃO DESCRIPTION	WIRE RANGE	INSULATION RANGE	MATERIAL	ACABAMENTO FINISH
881590-1	TERMINAL 1.8 ECONOSEAL "J" SERIES MARKII TAB	0,5 TO 1,0mm ²	Ø 1,4 TO 2,0mm	LATÃO/BRASS	PRÉ ESTANHADO/PRE TIN
881590-2	TERMINAL 1.8 ECONOSEAL "J" SERIES MARKII TAB	0,5 TO 1,0mm ²	Ø 1,4 TO 2,0mm	BRONZE	PRÉ ESTANHADO/PRE TIN
881593-1	TERMINAL 1.8 ECONOSEAL "J" SERIES MARKII TAB	0,5 TO 1,0mm ²	Ø 1,4 TO 2,4mm	LATÃO/BRASS	PRÉ ESTANHADO/PRE TIN
881593-2	TERMINAL 1.8 ECONOSEAL "J" SERIES MARKII TAB	0,5 TO 1,0mm ²	Ø 1,4 TO 2,4mm	BRONZE	PRÉ ESTANHADO/PRE TIN
881594-1	TERMINAL 1.8 ECONOSEAL "J" SERIES MARKII TAB	1,0 TO 1,5mm ²	Ø 1,4 TO 2,4mm	LATÃO/BRASS	PRÉ ESTANHADO/PRE TIN
881594-2	TERMINAL 1.8 ECONOSEAL "J" SERIES MARKII TAB	1,0 TO 1,5mm ²	Ø 1,4 TO 2,4mm	BRONZE	PRÉ ESTANHADO/PRE TIN

REQ. PER ASSY	ITEM NO	DESCRIÇÃO DESCRIPTION	MATERIAL	ACABAMENTO FINISH
1	2	DOUBLE LOCK 8 POSN. ECONOSEAL "J" MARK II	PBT	AMARELO / YELLOW
1	1	PLUG HSG 8 POSN. ECONOSEAL "J" MARK II	PBT	PRETO / BLACK
-1				
444144				

THIS DRAWING IS A CONTROLLED DOCUMENT.

DIMENSIONS: mm	TOLERANCES UNLESS OTHERWISE SPECIFIED:	DWN NCLapresa 11MAY2011	TE Connectivity	
	0 PLC ± -	CHK José R. Goldschmidt 13MAY2011	NAME	
	1 PLC ± 0,3	APVD Mauricio Gisoldi 13MAY2011	KIT ECONOSEAL J 8 POSN.	
	2 PLC ± -	PRODUCT SPEC	SIZE CAGE CODE DRAWING NO	
	3 PLC ± -	APPLICATION SPEC	A2 00779 C=444144	
	4 PLC ± -	WEIGHT	RESTRICTED TO	
	ANGLES ± 1°		-	
MATERIAL VER TABELA	FINISH VER TABELA	CUSTOMER DRAWING	SCALE 2:1	SHEET 1 of 1 REV B1

444144