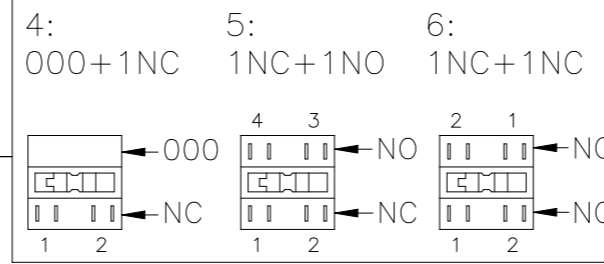
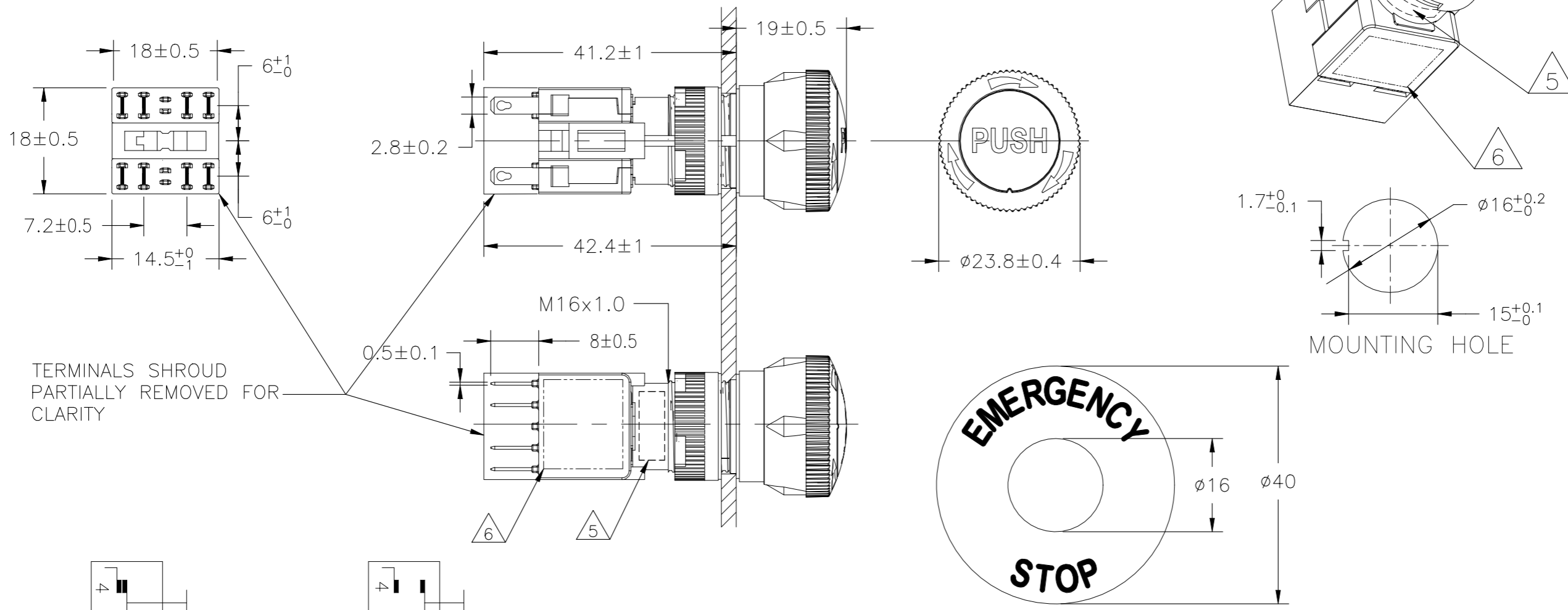


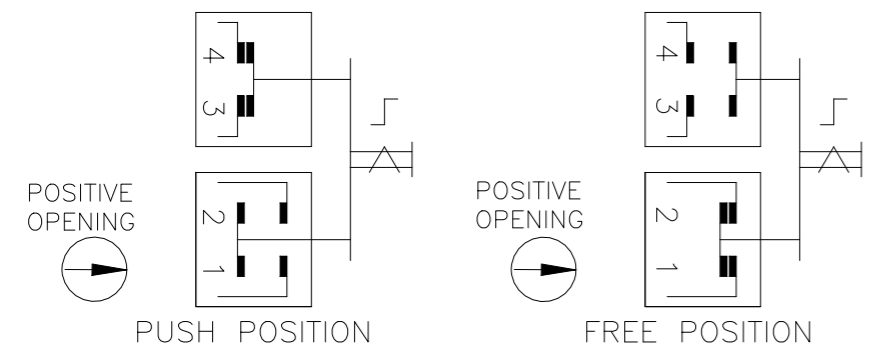
DESCRIPTION :
PBES16N □ O R E



P	LTR	DESCRIPTION	DATE	DWN	APVD
	1	NEW DRAWING	16JUN2023	LP	MY



TERMINALS SHROUD PARTIALLY REMOVED FOR CLARITY



FUNCTION DIAGRAM FOR 5:1NC+1NO

1NC + 1NC	NO LAMP	PBES16 23.8 RB NO LAMP 1NC 1NC	PBES16N60RE	2463583-3
1NC + 1NO	NO LAMP	PBES16 23.8 RB NO LAMP 1NC 1NO	PBES16N50RE	2463583-2
000 + 1NC	NO LAMP	PBES16 23.8 RB NO LAMP 000 1NC	PBES16N40RE	2463583-1
FUNCTION	LAMP TYPE	DESCRIPTION	TE SMART PN	TE PN

THIS DRAWING IS A CONTROLLED DOCUMENT.

DIMENSIONS: mm	TOLERANCES UNLESS OTHERWISE SPECIFIED:	DWN 16JUN2023 LINGANATHAN P	TE Connectivity
	0 PLC ± -	CHK 16JUN2023 MANOJ YADAV	
	1 PLC ± -	APVD 16JUN2023 MANOJ YADAV	
	2 PLC ± -	NAME	
MATERIAL	FINISH	PRODUCT SPEC	SWITCH, E-STOP, PBES16N SERIES, 23.8MM DIA 16MM PANEL DIA
		APPLICATION SPEC	SIZE CAGE CODE DRAWING NO RESTRICTED TO
		WEIGHT	A3 00779 C-2463583
		CUSTOMER DRAWING	SCALE NTS SHEET 1 OF 3 REV 1

PRELIMINARY

PRODUCT SPECIFICATIONS :

MECHANICAL LIFE : > 100,000 OPERATIONS
 ELECTRICAL LIFE : > 50,000 OPERATIONS
 MOTION TOLERANCE : < 20 OPERATIONS / MINUTE
 (MECHANICAL AND ELECTRICAL LIFE)
 DEGREE OF PROTECTION : IP 65
 PANEL THICKNESS : 0.5 mm TO 5 mm
 MOUNTING TORQUE : 1.1 N-m
 MAX. INSULATION VOLTAGE : 1500VAC, 60Hz, 10mA, 1MINUTE
 INSULATION RESISTANCE : 100 MΩ @ 500VDC, 100mA, 1MINUTE
 STORAGE TEMPERATURE : -40°C TO +85°C
 OPERATING TEMPERATURE : -25°C TO +70°C
 CONTACT RESISTANCE : ≤ 50 mΩ (INITIAL)
 OPERATING FORCES : PUSH-LOCK 20±0 N, TURN-RESET 0.06 N-m
 OPERATING TRAVEL : PUSH-LOCK 3.3±0.3mm, TURN-RESET CW 30°
 POLLUTION DEGREE : 3
 CONDITIONAL SHORT-CIRCUIT CURRENT: 1000A
 ELECTRICAL RATINGS:

RATED INSULATION VOLTAGE (Ui)	300V	
CONVENTIONAL ENCLOSED THERMAL CURRENT (Ithe)	5A	
RATED OPERATIONAL VOLTAGE (Ue)	125V	250V
UTILIZATION CATEGORY	RATED OPERATIONAL CURRENT (Ie)	
AC-15	3	1.5
DC-13	0.22	0.11

U_{imp} : 2.5kV

APPLICABLE STANDARDS : EN/IEC 60947-5-1, EN/IEC 60947-5-5

MATERIALS:

- ① ACTUATOR HOUSING : POLYPHTHALAMIDE (UL94-V0), BLACK
- ② CONTACT BLOCK HOUSING : POLYPHTHALAMIDE (UL94-V0)/
POLYBUTYLENE TEREPHTHALATE (UL94-V0),BLACK/WHITE
- ③ ACTUATOR : POLYAMIDE (UL94-V0), RED
- ④ GASKET : RUBBER, BLACK
- ⑤ TERMINAL / CONTACT : COPPER ALLOY WITH SILVER ALLOY, Au PLATED
- ⑤ MOUNTING RING : POLYCARBONATE (UL94-V0), BLACK

REVISIONS					
P	LTR	DESCRIPTION	DATE	DWN	APVD
-	-	SEE SHEET 1	-	-	-

NOTES:

1. COMPLIANCE: THE CURRENT STATEMENT OF COMPLIANCE IS AVAILABLE AT TE.COM.
2. NAME PLATE IS PACKAGED SEPARATELY FROM THE SWITCH.
3. AGENCY CONFORMANCE - UL AND TUV,
- ④ REFERENCE TE PACKAGING LABELS FOR AGENCY INFORMATION.

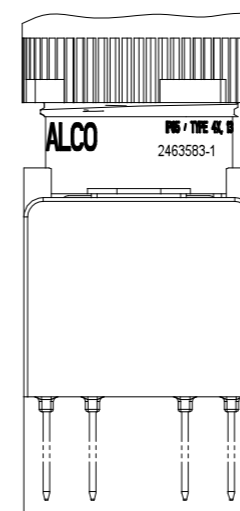
⑤ PART MARKING:
ACTUATOR LABEL MARKING:

ALCO IP65/TYPE 4X.13 **STE**
2463583-1-□

↑
TE PART NUMBER,
SEE TABLE, SHEETS 1

⑥ PART MARKING:

FUNCTION TERMINAL
BLOCK 000



FUNCTION TERMINAL
BLOCK NC



FUNCTION TERMINAL
BLOCK NO



PRELIMINARY

THIS DRAWING IS A CONTROLLED DOCUMENT.		DWN 16JUN2023 LINGANATHAN P	TE Connectivity			
		CHK 16JUN2023 MANOJ YADAV				
		APVD 16JUN2023 MANOJ YADAV	NAME			
		PRODUCT SPEC	SWITCH, E-STOP, PBES16N SERIES, 23.8MM DIA 16MM PANEL DIA			
		APPLICATION SPEC	-			
		WEIGHT -	SIZE A3	CAGE CODE 00779	DRAWING NO C-2463583	RESTRICTED TO -
		CUSTOMER DRAWING	SCALE NTS	SHEET 2 OF 3	REV 1	

DIMENSIONS: mm		TOLERANCES UNLESS OTHERWISE SPECIFIED:	
		0 PLC ± -	
		1 PLC ± -	
		2 PLC ± -	
		3 PLC ± -	
		4 PLC ± -	
MATERIAL -		ANGLES ± -	FINISH -

REVISIONS

P	LTR	DESCRIPTION	DATE	DWN	APVD
	-	SEE SHEET 1	-	-	-

SOLDER TERMINATIONS:

4-1. REMOVE TERMINAL SHROUD—AFFIX TWO SCREWDRIVERS ABOUT THE TABS OF THE SHROUD AND GENTLY APPLY FORCE SO AS TO RELEASE SHROUD FROM THE CONTACT BLOCK HOUSING.

4-2. ROUTE WIRE THROUGH THE TERMINAL SHROUD.

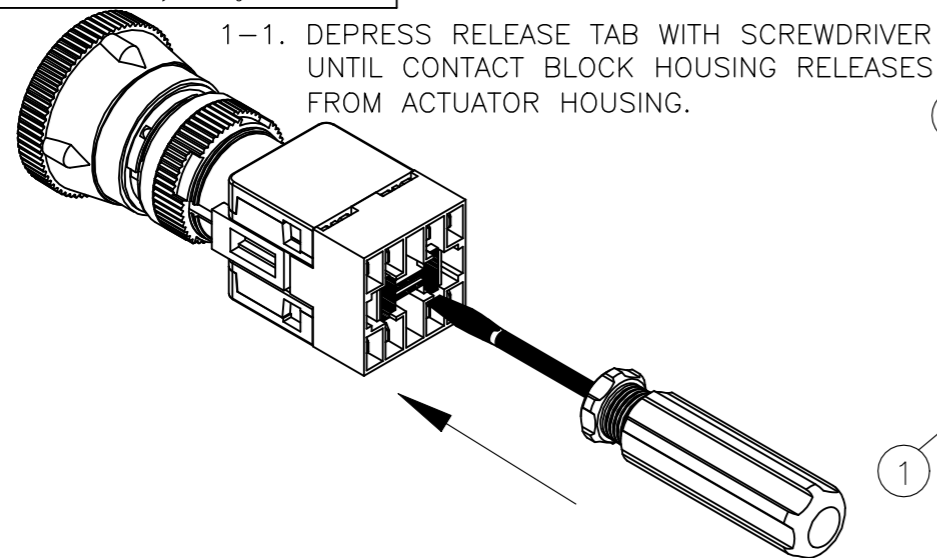
4-3. SOLDER WIRES TO TERMINALS. SOLDERING TEMPERATURE IS 360°C FOR 3 SECONDS.

FASTON TERMINAL TERMINATION

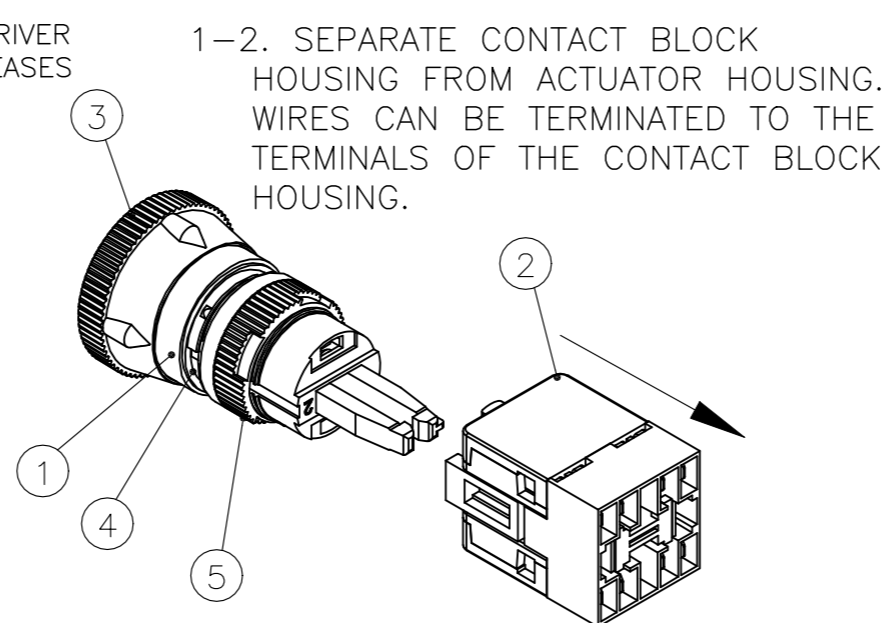
4-1. CRIMP TE FASTON RECEPTACLE 110 SERIES TERMINAL PART NUMBER 61060-1 TO 18 AWG WIRE, MAXIMUM INSULATION DIAMETER 2.54MM

4-2. MATE THE TERMINAL TERMINATED TO WIRE TO THE TERMINAL OF THE SWITCH.

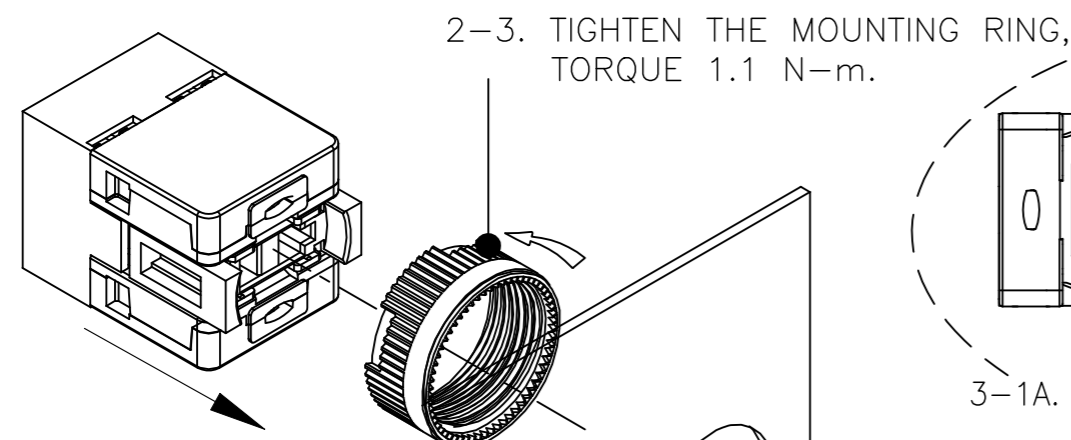
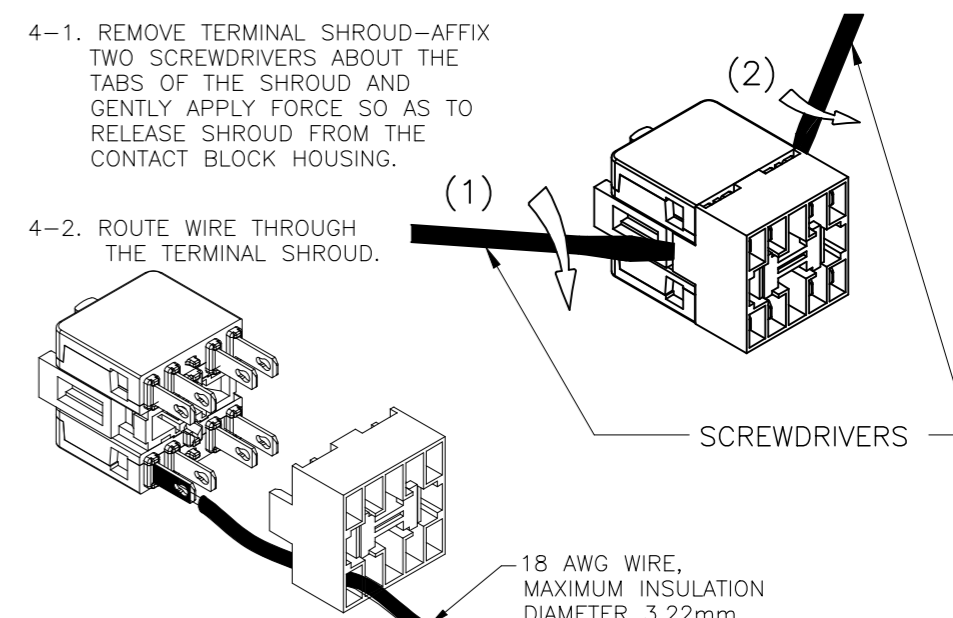
4-3. ORIENTATION OF TERMINALS.



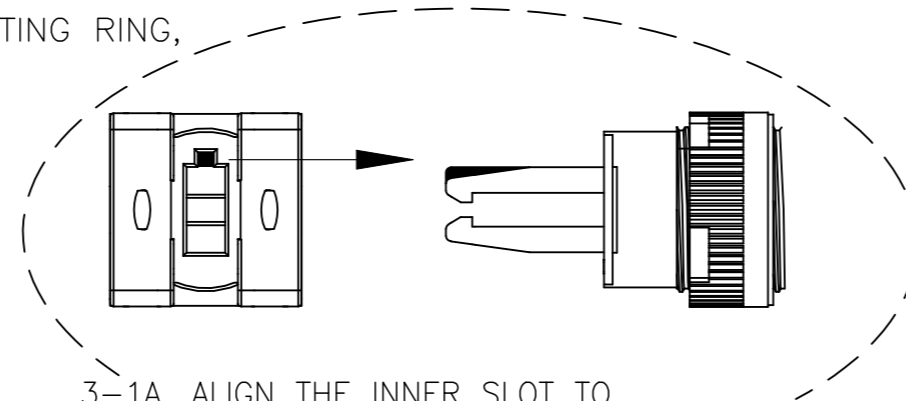
1-1. DEPRESS RELEASE TAB WITH SCREWDRIVER UNTIL CONTACT BLOCK HOUSING RELEASES FROM ACTUATOR HOUSING.



1-2. SEPARATE CONTACT BLOCK HOUSING FROM ACTUATOR HOUSING. WIRES CAN BE TERMINATED TO THE TERMINALS OF THE CONTACT BLOCK HOUSING.

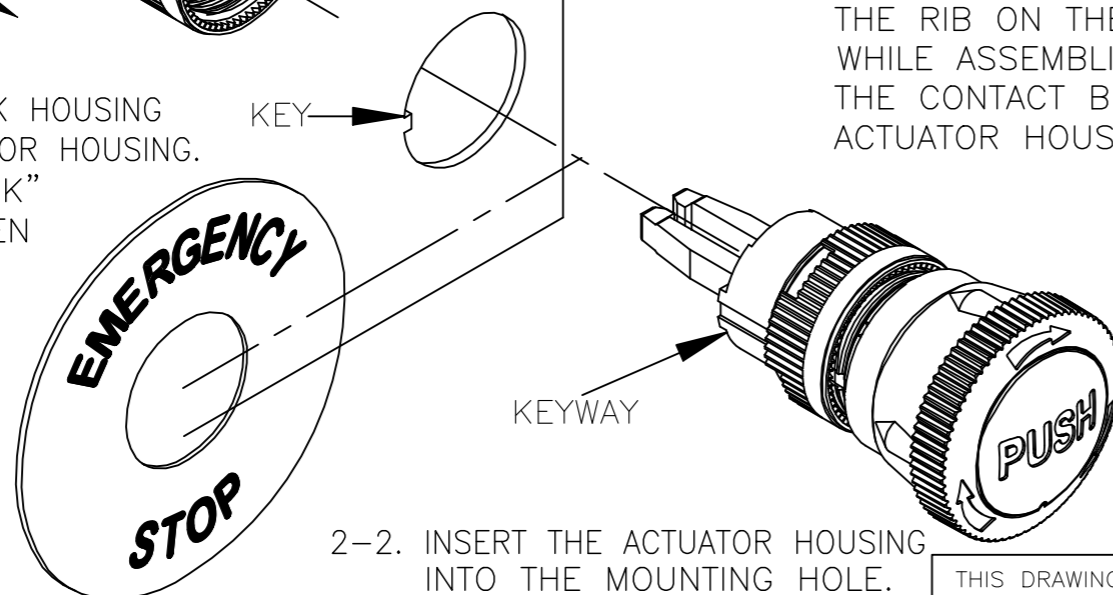


2-3. TIGHTEN THE MOUNTING RING, TORQUE 1.1 N-m.



3-1A. ALIGN THE INNER SLOT TO THE RIB ON THE PLASTIC HOOK WHILE ASSEMBLING THE CONTACT BLOCK HOUSING WITH THE ACTUATOR HOUSING.

3-1. INSTALL THE CONTACT BLOCK HOUSING TO THE ACTUATOR HOUSING. AUDIBLE "CLICK" SOUNDED WHEN SEATED.



2-1. POSITION IDENTIFICATION PLATE OVER THE MOUNTING HOLE.

2-2. INSERT THE ACTUATOR HOUSING INTO THE MOUNTING HOLE.

PRELIMINARY

THIS DRAWING IS A CONTROLLED DOCUMENT.

DIMENSIONS:		TOLERANCES UNLESS OTHERWISE SPECIFIED:	
mm			
	0 PLC	±	-
	1 PLC	±	-
	2 PLC	±	-
	3 PLC	±	-
	4 PLC	±	-
	ANGLES	±	-
MATERIAL		FINISH	
-		-	

DWN	16JUN2023
LINGANATHAN P	
CHK	16JUN2023
MANOJ YADAV	
APVD	16JUN2023
MANOJ YADAV	
PRODUCT SPEC	
APPLICATION SPEC	
WEIGHT	-
CUSTOMER DRAWING	

TE Connectivity			
NAME SWITCH, E-STOP, PBES16N SERIES, 23.8MM DIA 16MM PANEL DIA			
SIZE	CAGE CODE	DRAWING NO	RESTRICTED TO
A3	00779	C-2463583	-
SCALE		SHEET	REV
NTS		3 OF 3	1