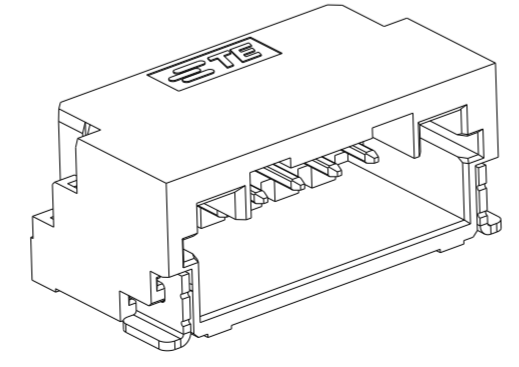
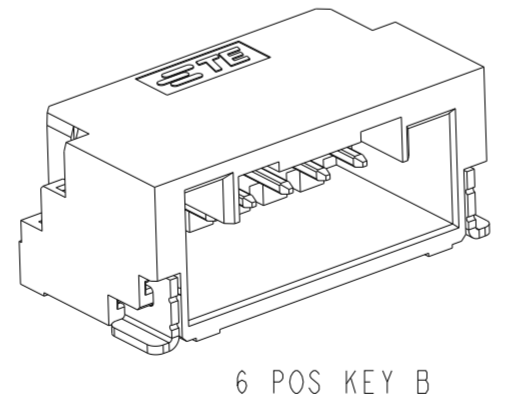
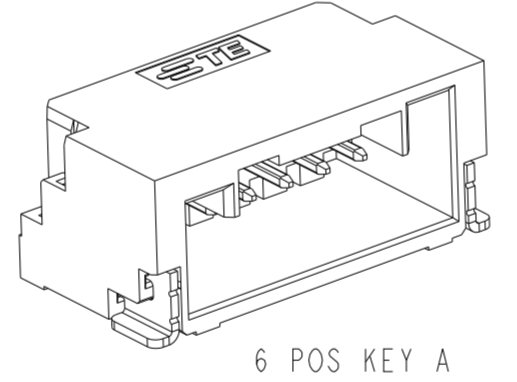
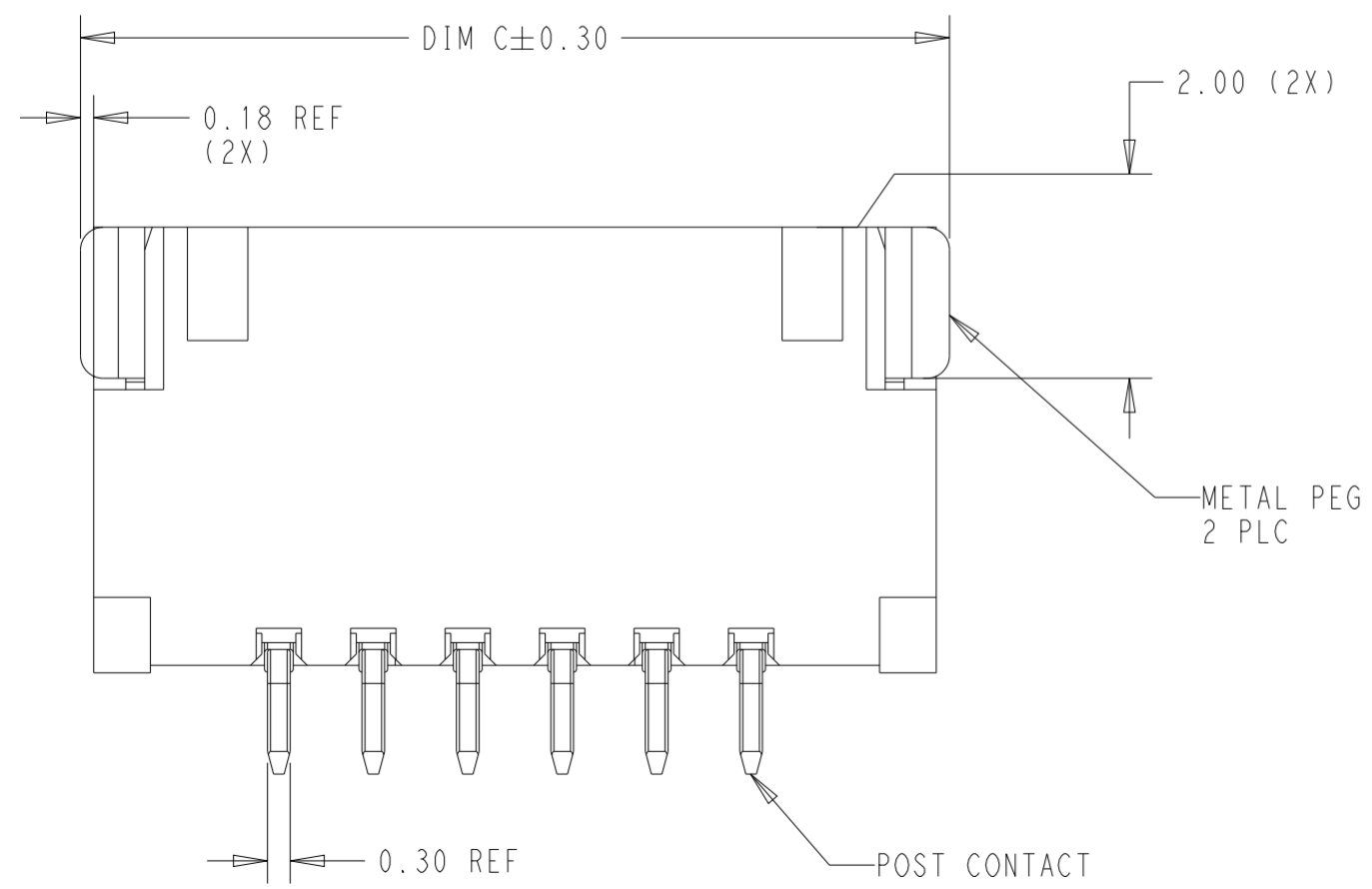
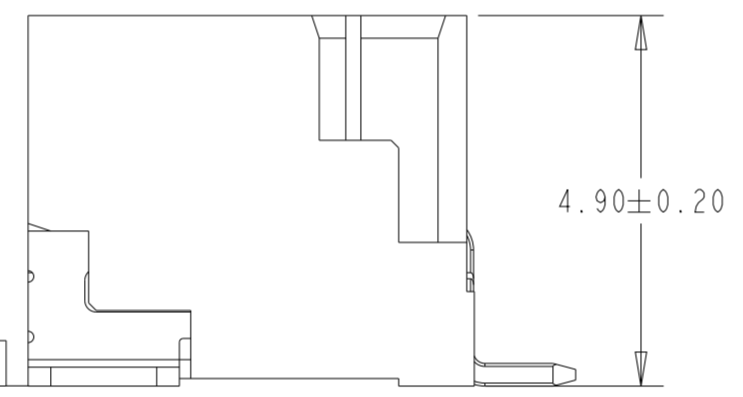
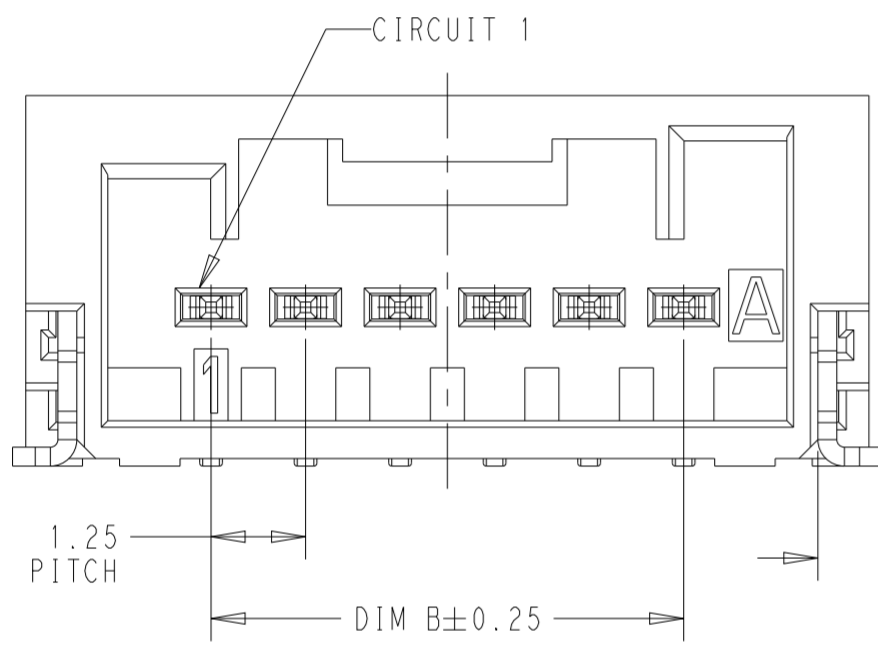
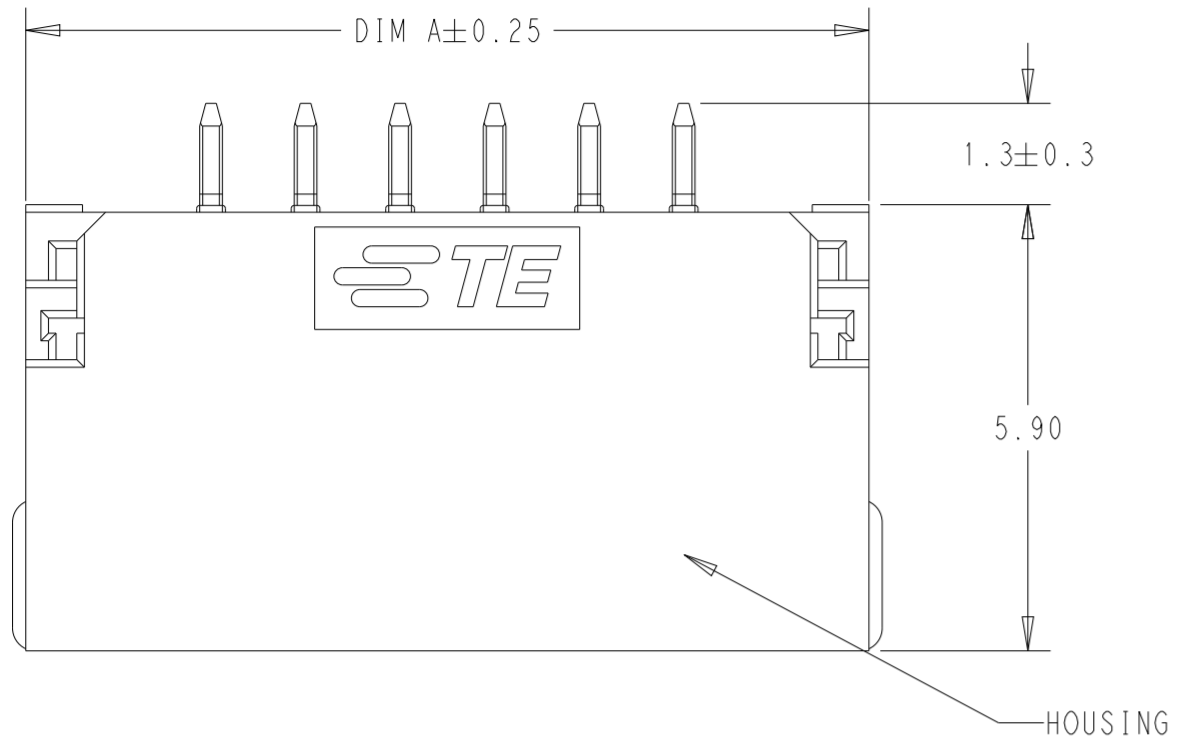
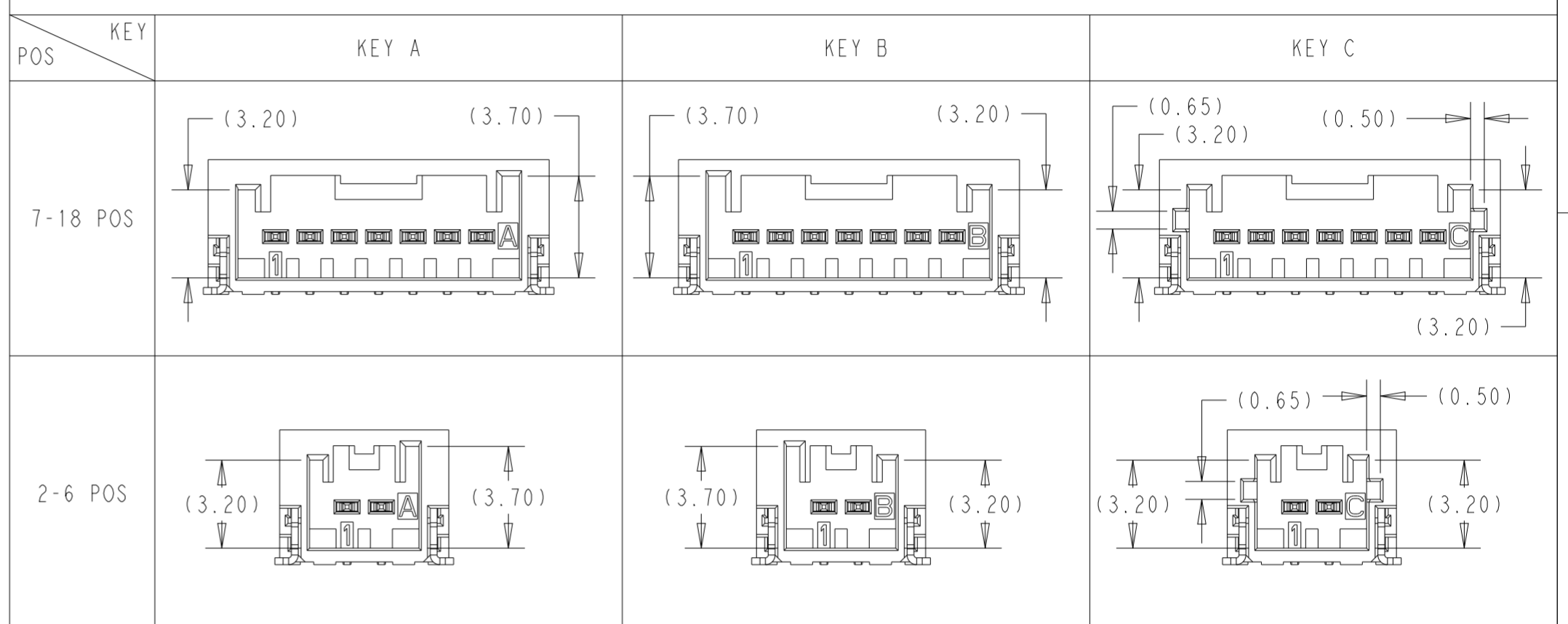


REVISIONS					
P	LTR	DESCRIPTION	DATE	DWN	APVD
A		INITIAL RELEASE PER ECN-22-191700	27DEC2022	N.H	L.C
B		REVISED PER ECR-23-162418	19JAN2023	N.H	L.C
B1		REVISED PER ECR-23-177199	09JUN2023	N.H	L.C

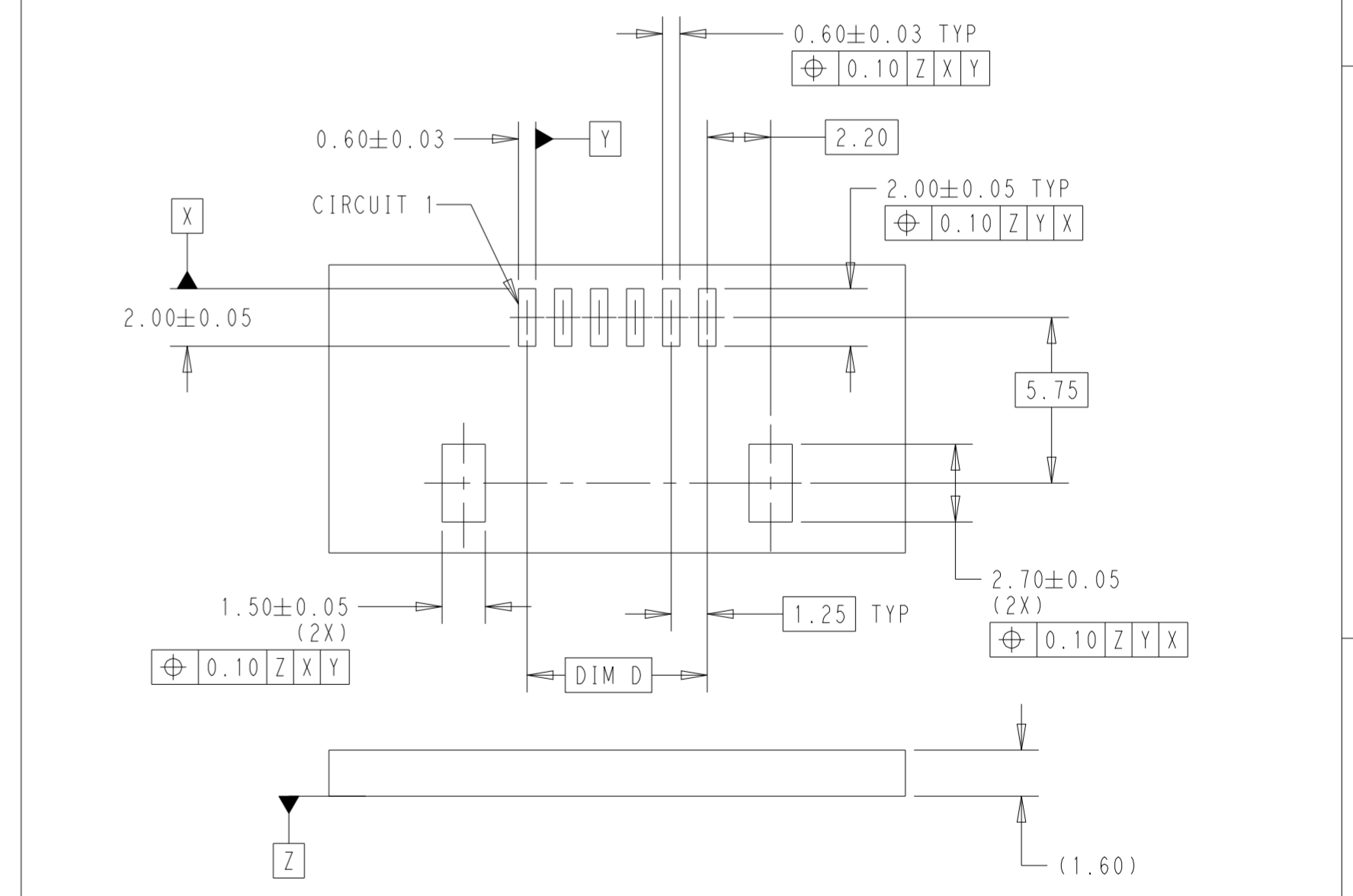
KEYING A SHOWN FOR 6 POSITION



KEYING ILLUSTRATION



RECOMMENDED PCB LAYOUT

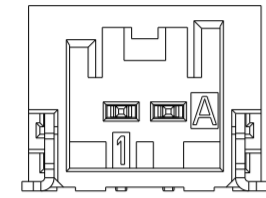


THIS DRAWING IS A CONTROLLED DOCUMENT.		DWN R. SMITH 12SEP2019		TE Connectivity	
		CHK L. CHEN 12SEP2019		NAME HEADER ASSY, RA, SGI 1.25 SMT TYPE	
DIMENSIONS: mm		APVD L. CHEN 12SEP2019	PRODUCT SPEC 108-106451		
TOLERANCES UNLESS OTHERWISE SPECIFIED:		APPLICATION SPEC 114-106497		SIZE A2	CAGE CODE 00779
0 PLC ±		WEIGHT		DRAWING NO C-2360538	RESTRICTED TO
1 PLC ±0.25		CUSTOMER DRAWING		SCALE 5:1	SHEET 1 OF 4
2 PLC ±0.15					REV B1
3 PLC ±					
4 PLC ±					
ANGLES ±					
FINISH					

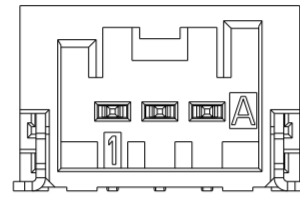
REVISIONS

P	LTR	DESCRIPTION	DATE	DWN	APVD
-	-	SEE SHEET 1	-	-	-

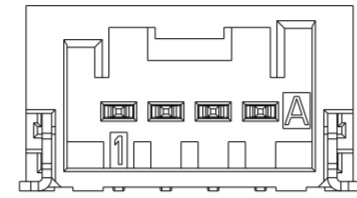
KEY A SHOWN FOR ALL POSITIONS



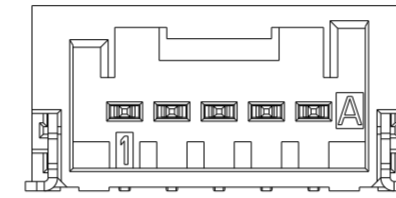
2 POSITION



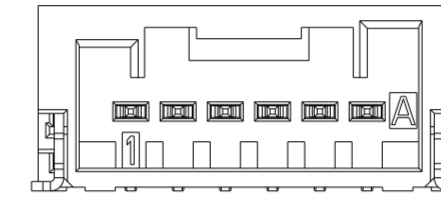
3 POSITION



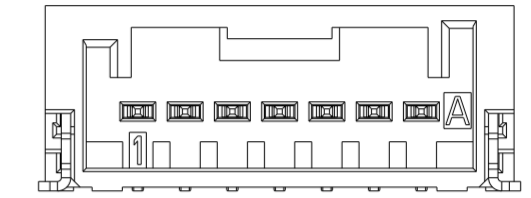
4 POSITION



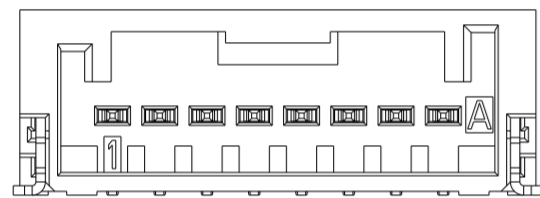
5 POSITION



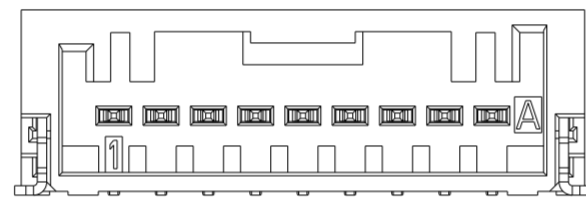
6 POSITION



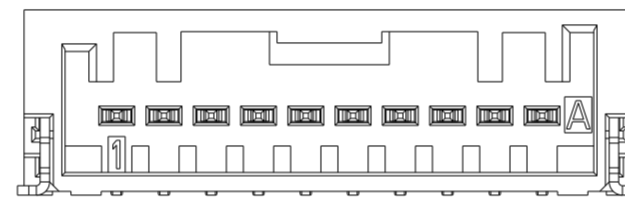
7 POSITION



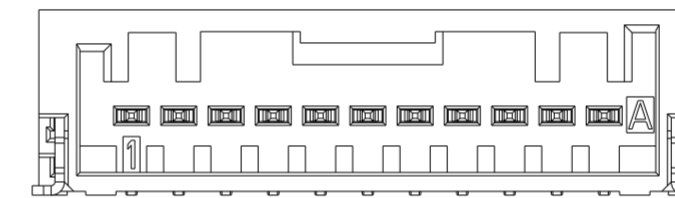
8 POSITION



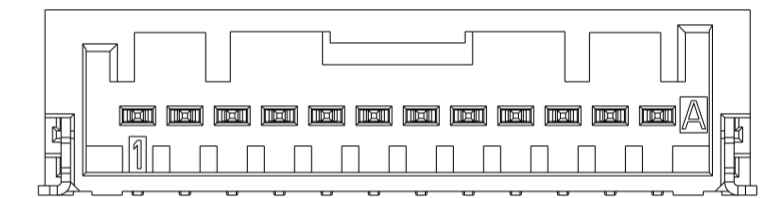
9 POSITION



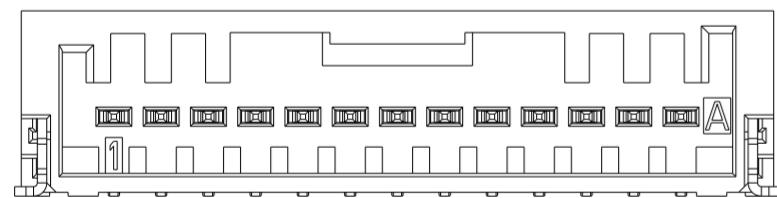
10 POSITION



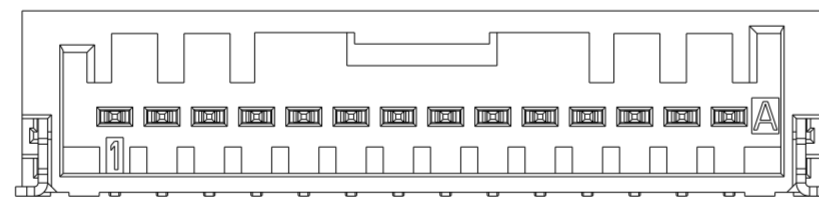
11 POSITION



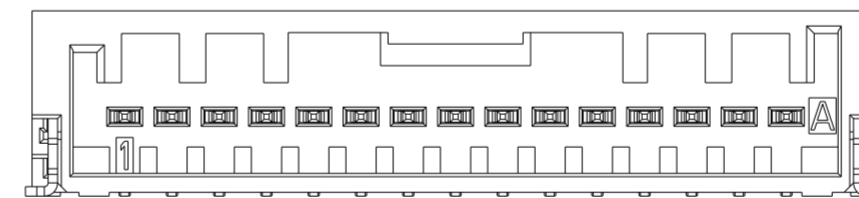
12 POSITION



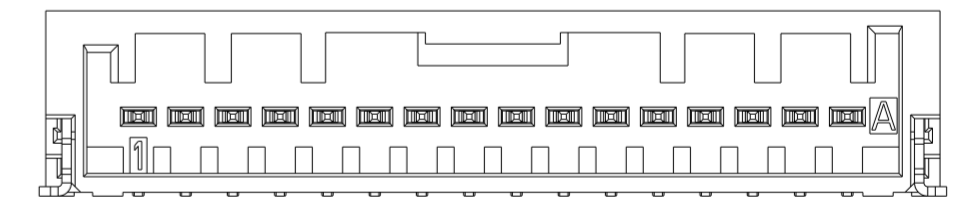
13 POSITION



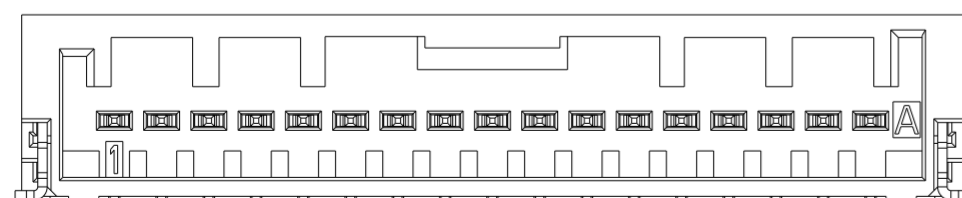
14 POSITION



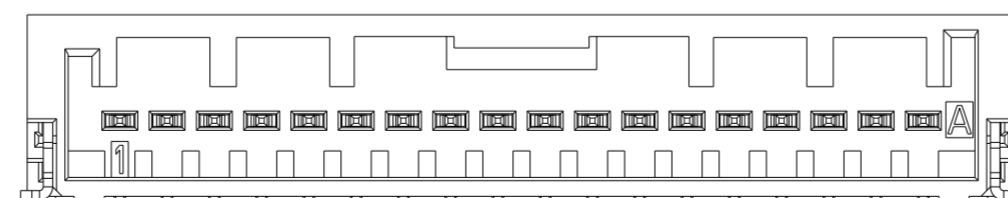
15 POSITION



16 POSITION



17 POSITION



18 POSITION

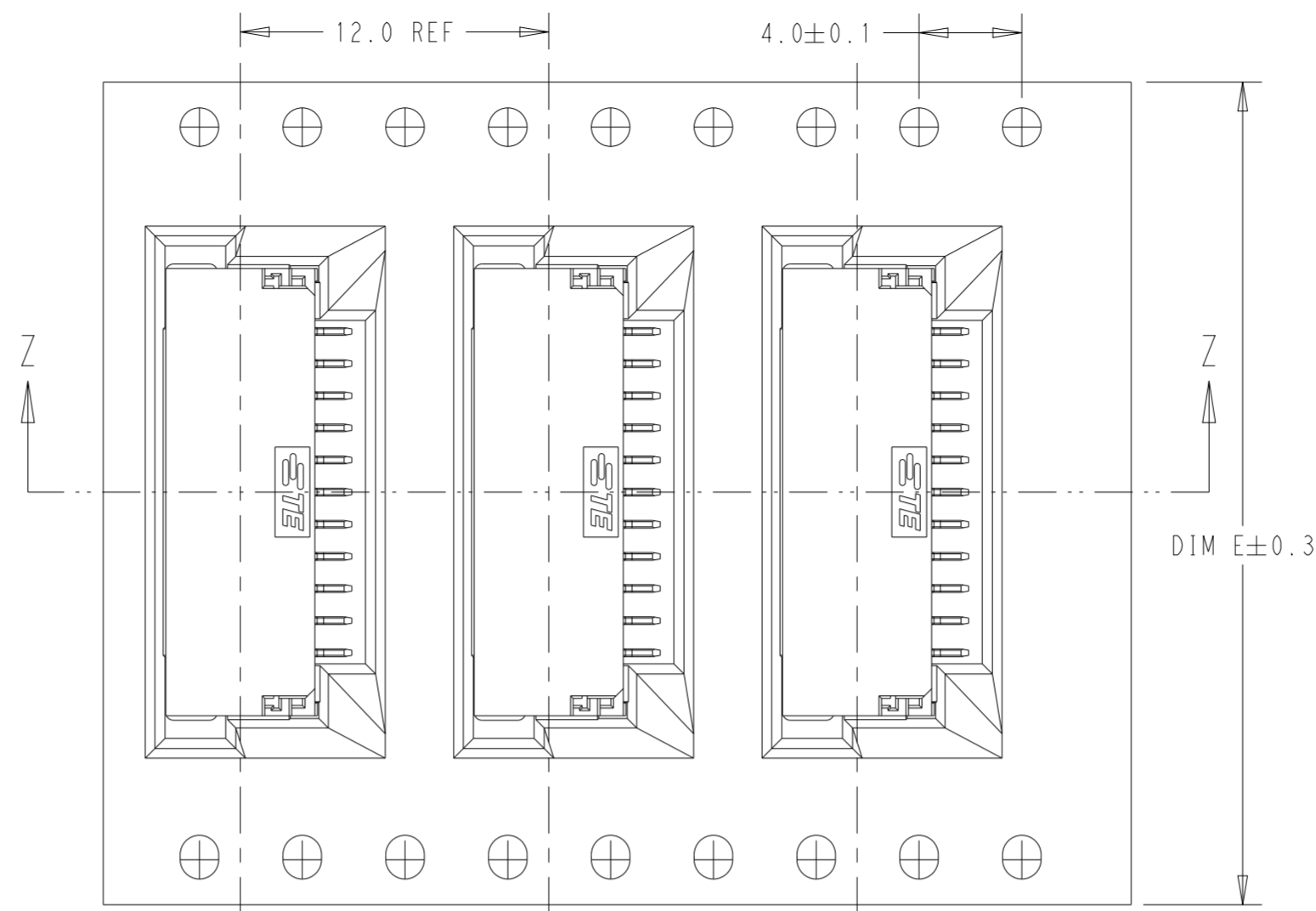
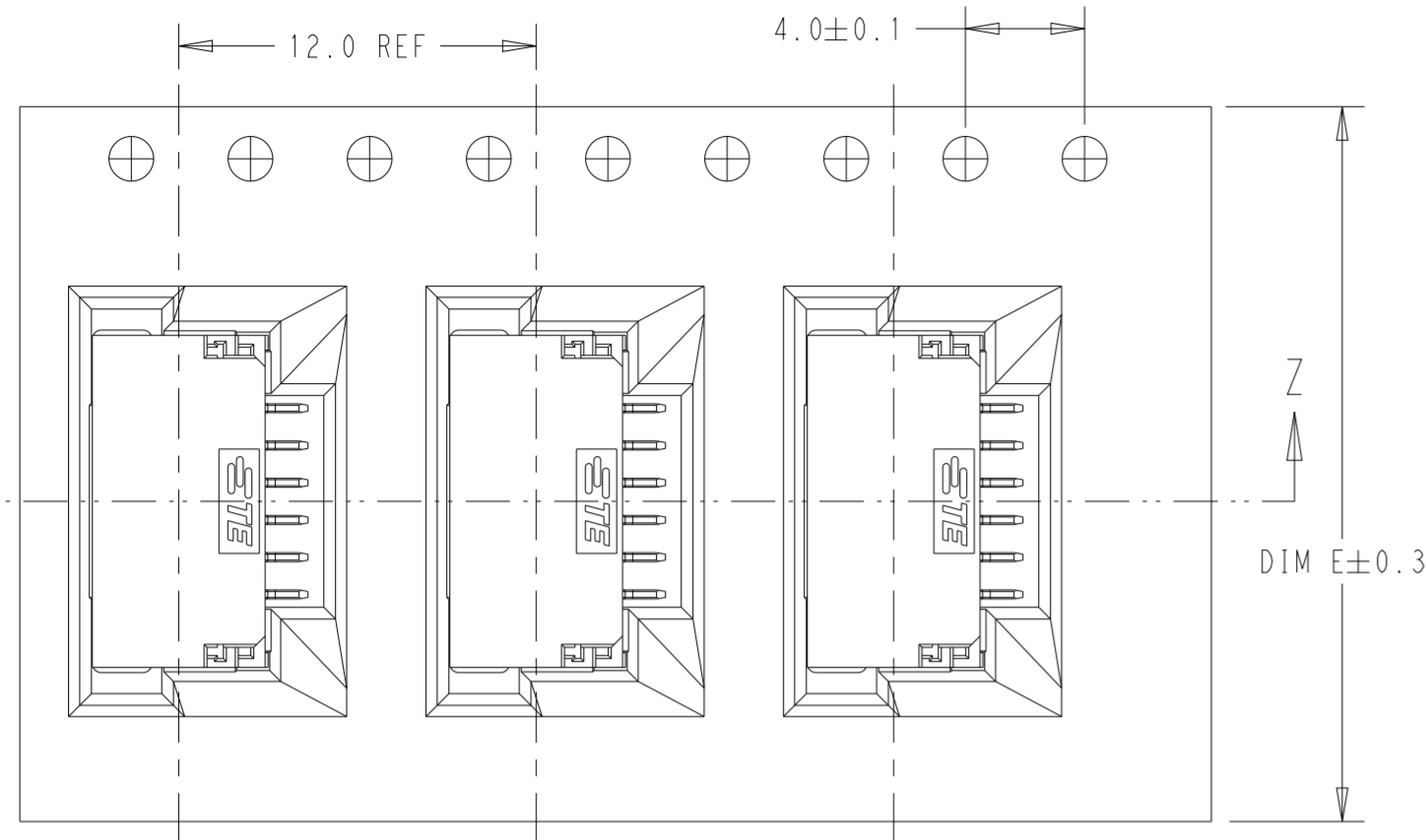
THIS DRAWING IS A CONTROLLED DOCUMENT.		DWN R. SMITH 12SEP2019		
DIMENSIONS: mm		CHK L. CHEN 12SEP2019		
TOLERANCES UNLESS OTHERWISE SPECIFIED: 0 PLC ± 1 PLC ±0.25 2 PLC ±0.15 3 PLC ± 4 PLC ± ANGLES ± FINISH		APVD L. CHEN 12SEP2019	NAME HEADER ASSY, RA, SGI 1.25 SMT TYPE	
MATERIAL 1		PRODUCT SPEC 108-106451	SIZE A2	
		APPLICATION SPEC 114-106497	CAGE CODE 00779	DRAWING NO C-2360538
		WEIGHT -	RESTRICTED TO -	
		CUSTOMER DRAWING	SCALE 5:1	SHEET 3 OF 4
			REV B1	

REVISIONS

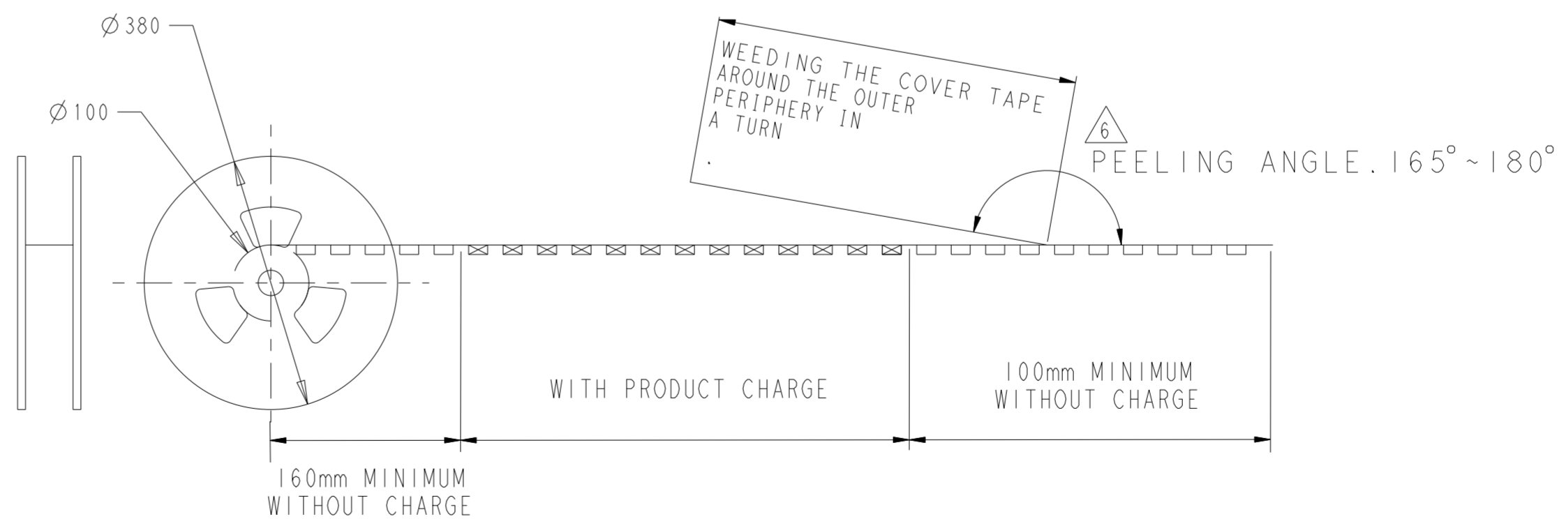
P	LTR	DESCRIPTION	DATE	DWN	APVD
-	-	SEE SHEET 1	-	-	-

USER DIRECTION OF UNREELING →

USER DIRECTION OF UNREELING →



12-18	44.0	1200
8-11	32.0	1200
3-7	24.0	1200
2	16.0	1200
POSITION	DIM E	QTY/REEL



NOTES FOR PACKAGE:

5. UNLESS OTHERWISE SPECIFIED TOLERANCE PER EIA-481.

6. EMBOSS TAPE PEELING STRENGTH : 0.1N ~ 1.3N
 PEELING CONDITION
 PEELING ANGLE : 165~180°
 PEELING SPEED : 300mm/MINUTE

THIS DRAWING IS A CONTROLLED DOCUMENT.		DWN R. SMITH 12SEP2019	TE Connectivity	
DIMENSIONS: mm		CHK L. CHEN 12SEP2019		
TOLERANCES UNLESS OTHERWISE SPECIFIED:		APVD L. CHEN 12SEP2019	NAME HEADER ASSY, RA, SGI 1.25 SMT TYPE	
0 PLC ± 1 PLC ±0.25 2 PLC ±0.15 3 PLC ± 4 PLC ±		PRODUCT SPEC 108-106451	SIZE A2	
MATERIAL		APPLICATION SPEC 114-106497	CAGE CODE 00779	DRAWING NO C-2360538
1		WEIGHT -	RESTRICTED TO -	
2		CUSTOMER DRAWING	SCALE 5:1	SHEET 4 OF 4
			REV B1	