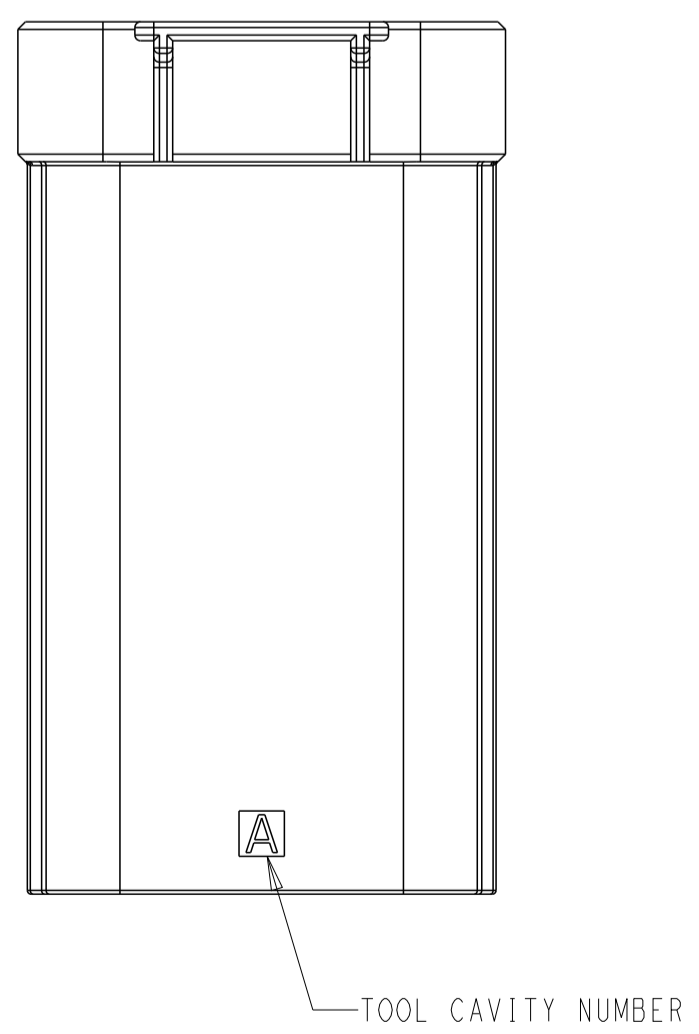
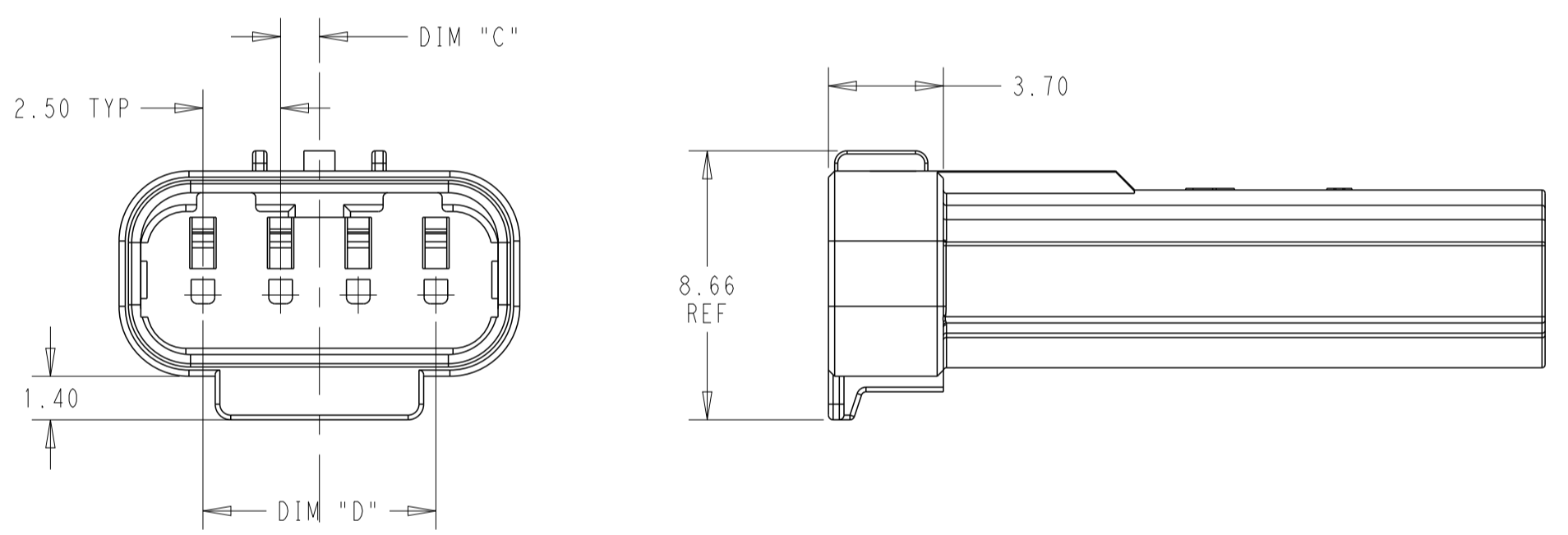
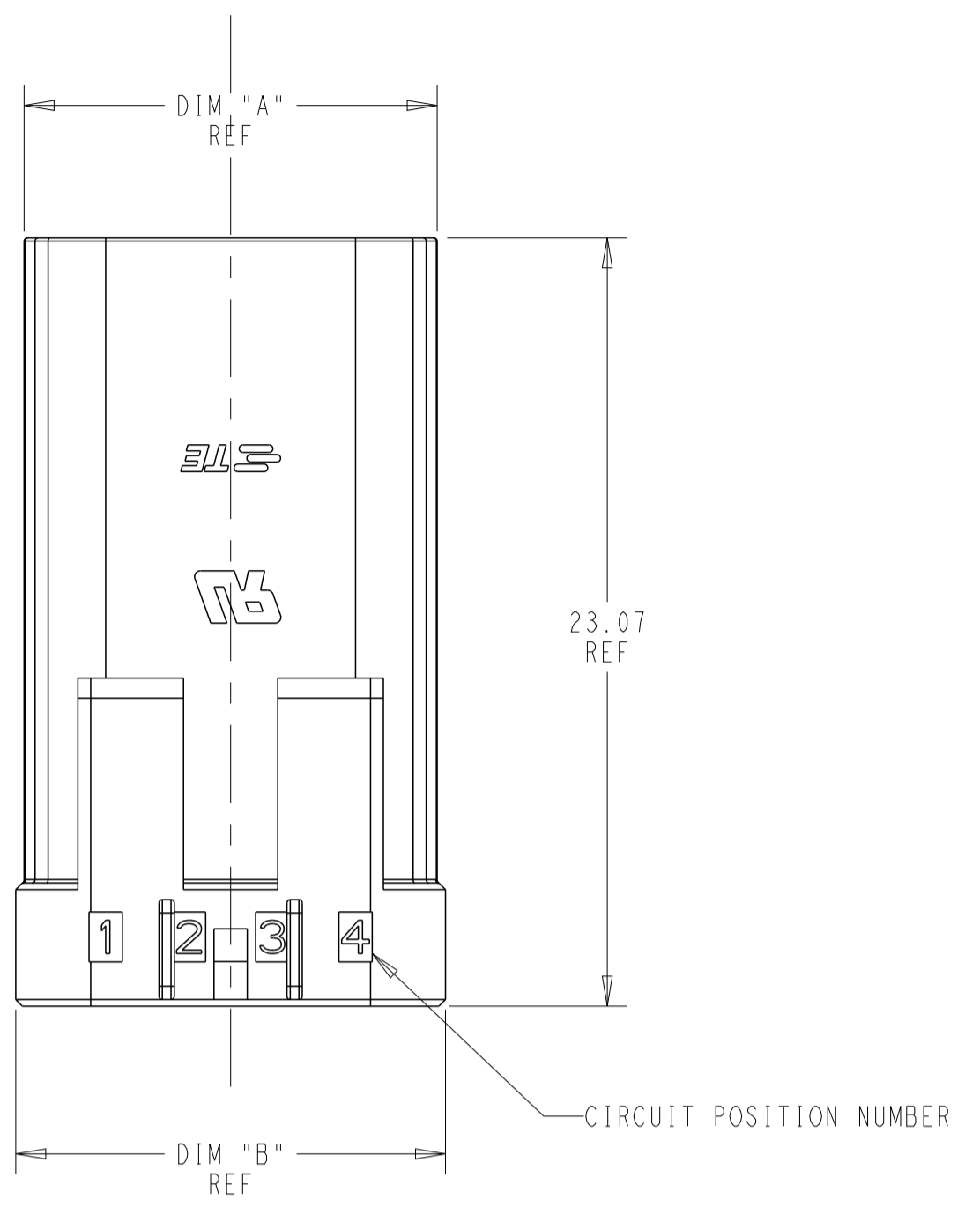
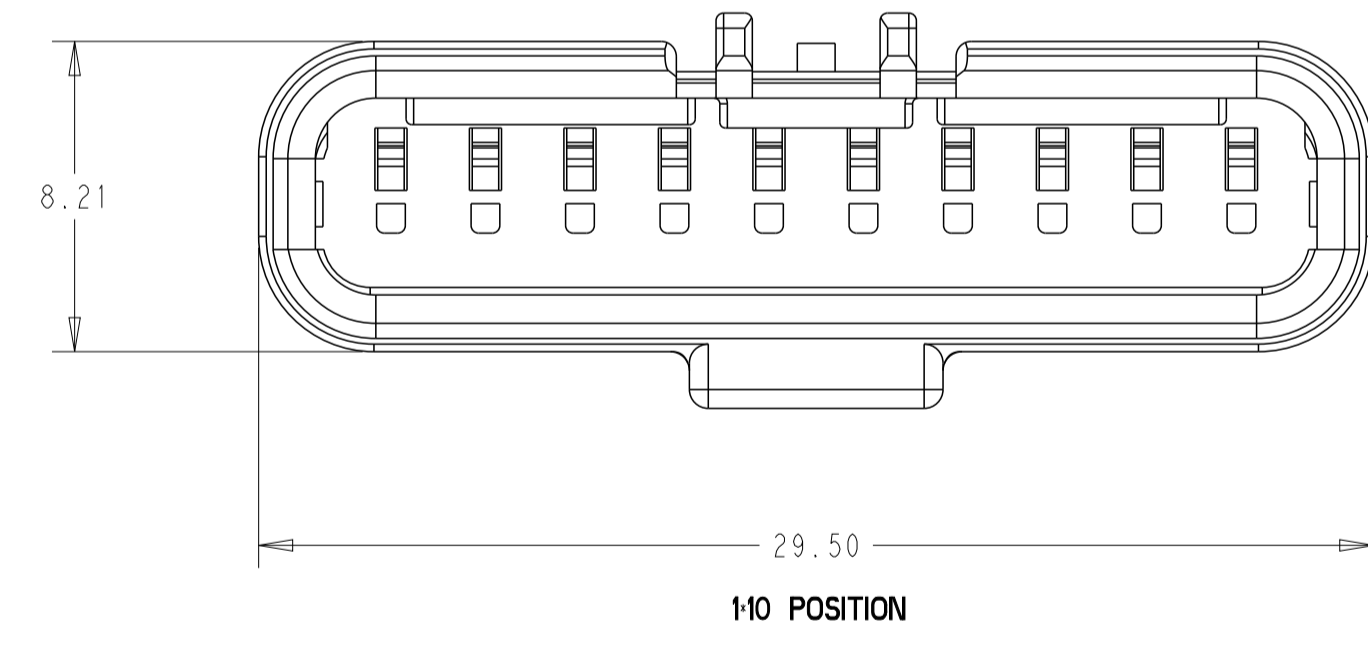
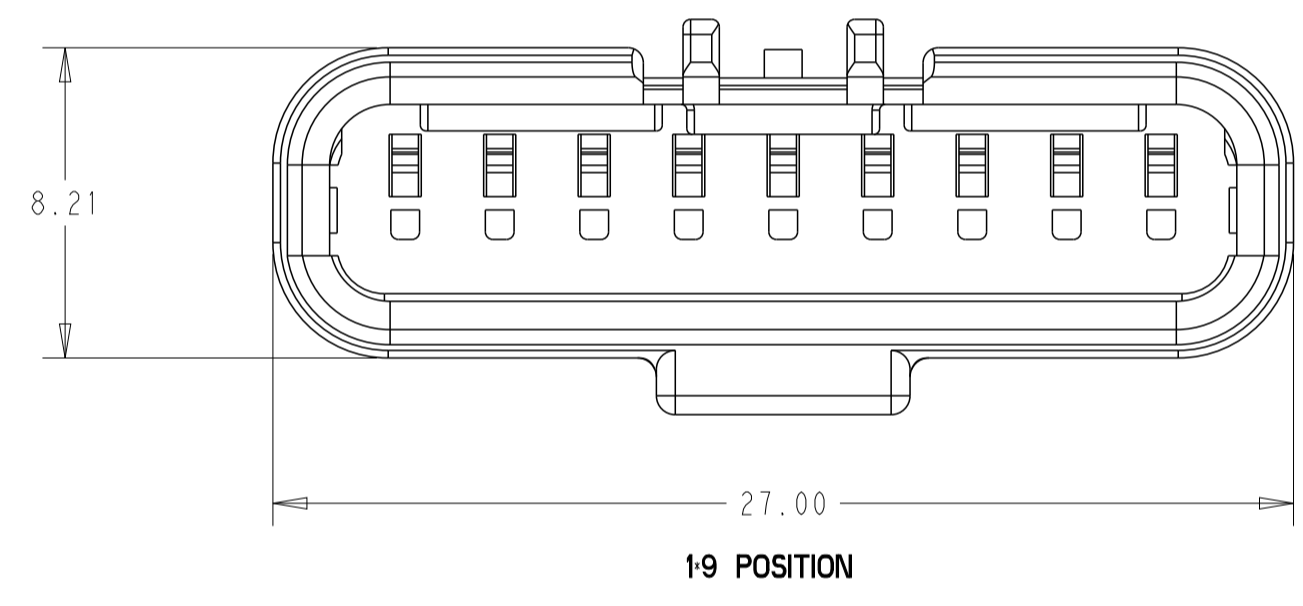
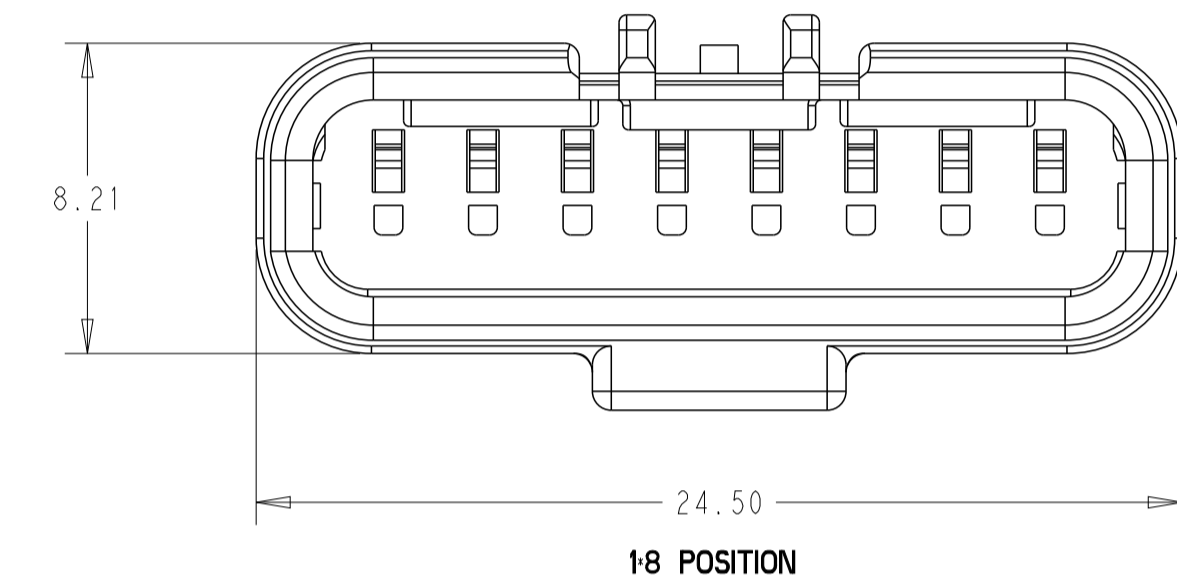
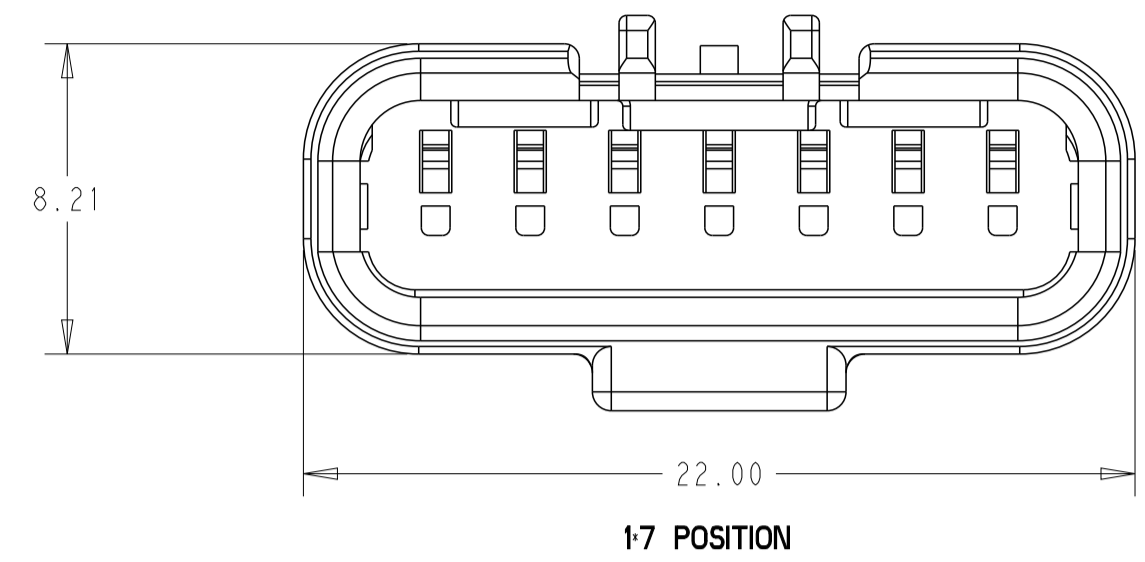


REVISIONS					
P	LTN	DESCRIPTION	DATE	DMN	APVD
A		REVISED PER ECN-23-216128	09JUN2023	SK	DZ



2443725-4 SHOWN



- ⚠ MATERIAL: THERMOPLASTIC, UL94V-0, COLOR: NATURAL
- 2. APPLICABLE CONTACT P/N 2443728-1
- 3. MATING CONNECTOR P/N PLUG HSG: 2443729-\*, GANG SEAL: 2443732-\*/2321922 -\*
- 4. COMPLY WITH GLOW WIRE REQUIREMENTS FOR PARTS OF NON-METALLIC MATERIAL SUPPORTING A CURRENT-CARRYING CONNECTION DETAILED IN IEC 60335-1, SECTION 30(GWT)
- ⚠ PRELIMINARY PART - NOT RELEASED FOR PRODUCTION THIS PART HAS NOT COMPLETED QUALIFICATION TESTING

1:2 POSITION

SCALE 2:1

1:6 POSITION

SCALE 2:1

1:3 POSITION

SCALE 2:1

1:7 POSITION

SCALE 2:1

1:4 POSITION

SCALE 2:1

1:8 POSITION

SCALE 2:1

1:5 POSITION

SCALE 2:1

1:9 POSITION

SCALE 2:1

1:10 POSITION

SCALE 2:1

DIM "D"	DIM "C"	DIM "B"	DIM "A"	POSITION	PART NUMBER
22.50	1.25	29.50	29.38	1*10	1-2443725-0
20.00	0	27.00	26.88	1*9	2443725-9
17.50	1.25	24.50	24.38	1*8	2443725-8
15.00	0	22.00	21.88	1*7	2443725-7
12.50	1.25	17.90	17.40	1*6	2443725-6
10.00	0	15.40	14.90	1*5	2443725-5
7.50	1.25	12.90	12.40	1*4	2443725-4
5.00	0	10.40	9.90	1*3	2443725-3
2.50	1.25	7.90	7.40	1*2	2443725-2

THIS DRAWING IS A CONTROLLED DOCUMENT.

DMN: SANTOSH K 12DEC2022  
 CHK: OTTO CHECN 12DEC2022  
 APVD: PHANG DANIEL 12DEC2022

**TE** Connectivity

NAME: CAP HOUSING, FREE HANGING, SDL 2.5 WATERPROOF

SIZE: A1 CAGE CODE: 00779 DRAWING NO: 2443725

MATERIAL: THERMOPLASTIC, UL94V-0, COLOR: NATURAL

RESTRICTED TO: A

CUSTOMER DRAWING SCALE: 5:1 SHEET 1 OF 1 REV A