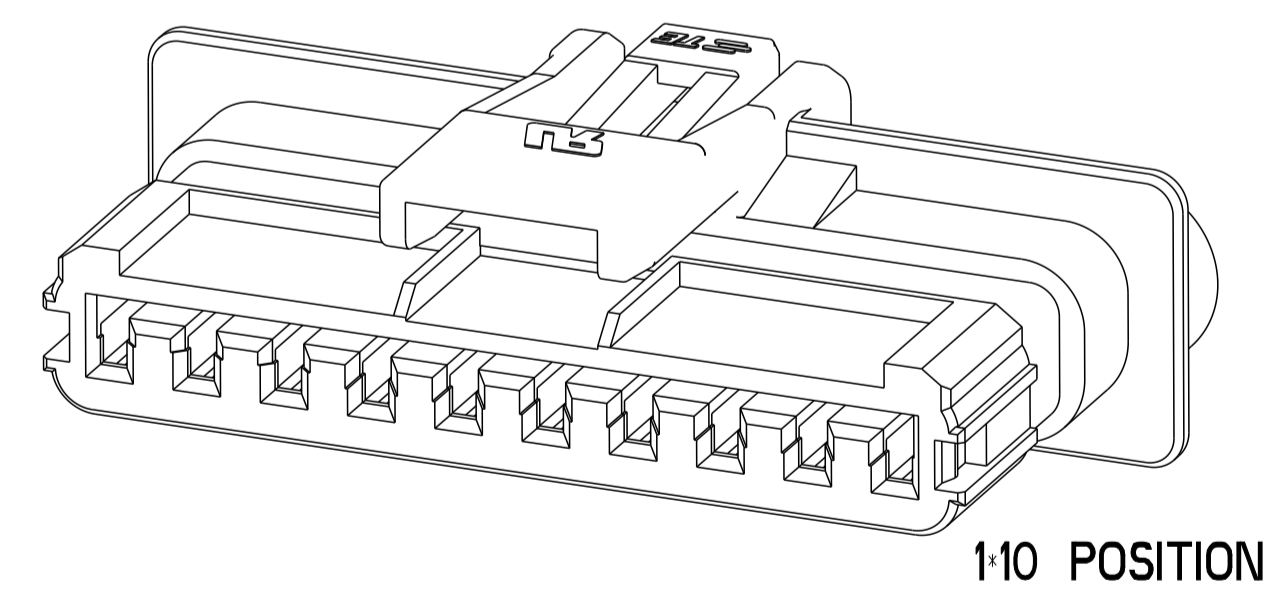
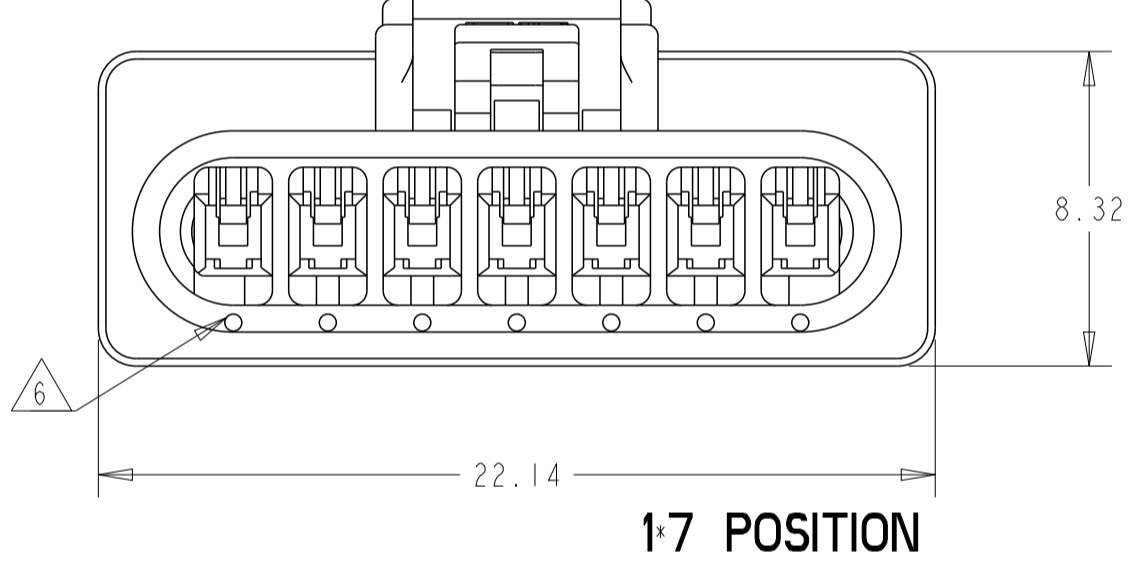
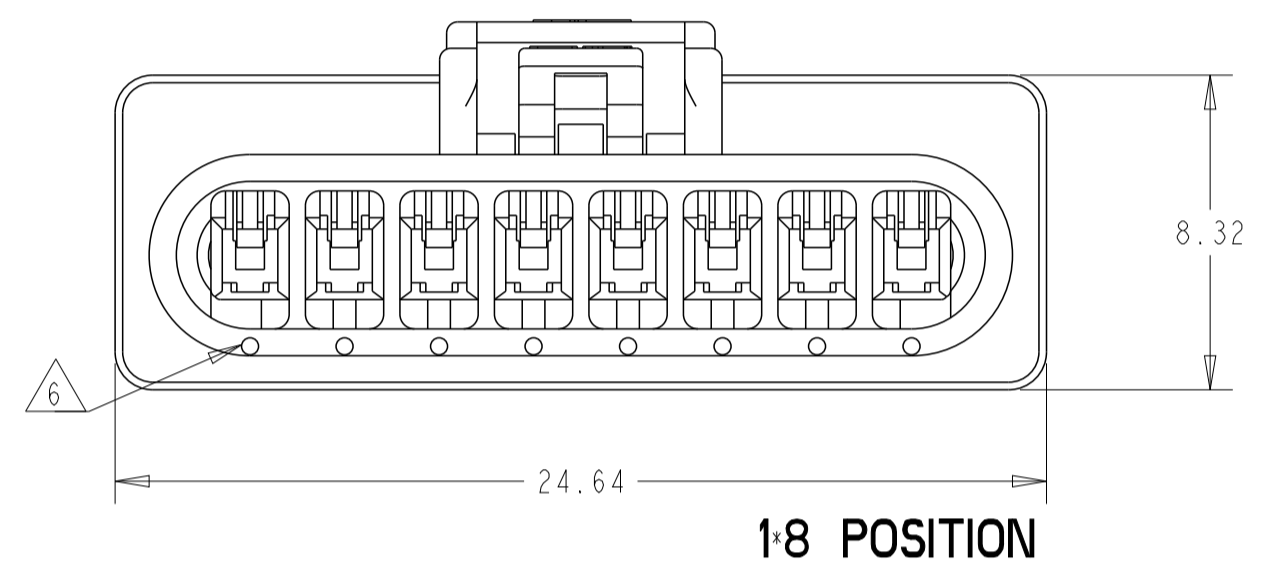
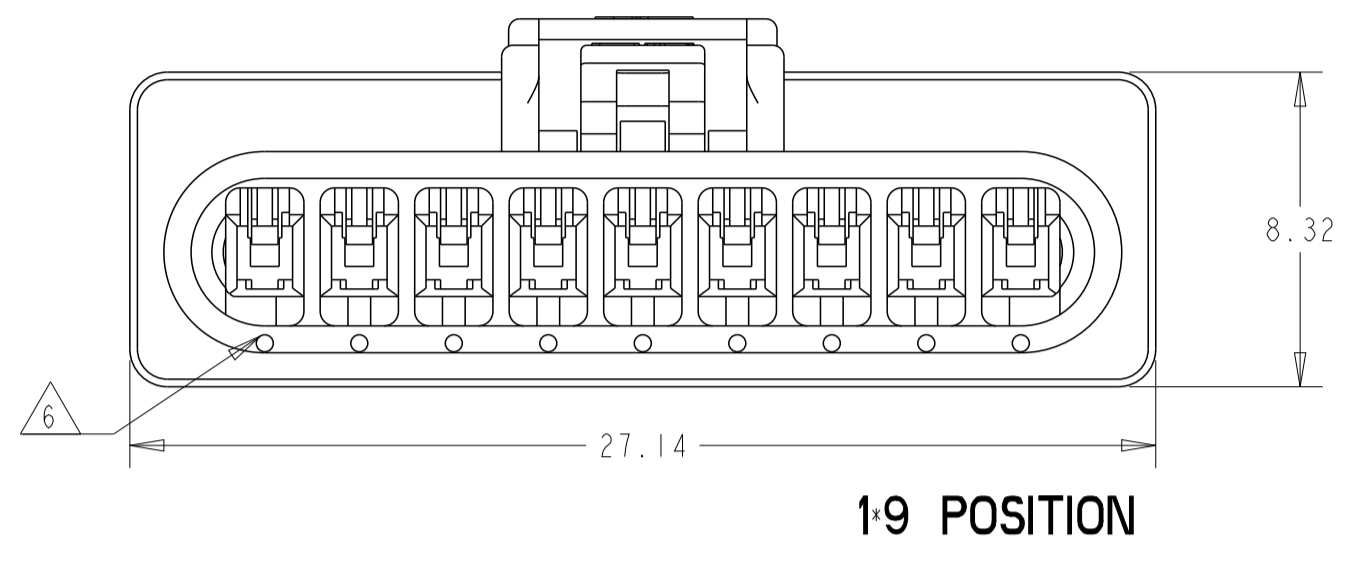
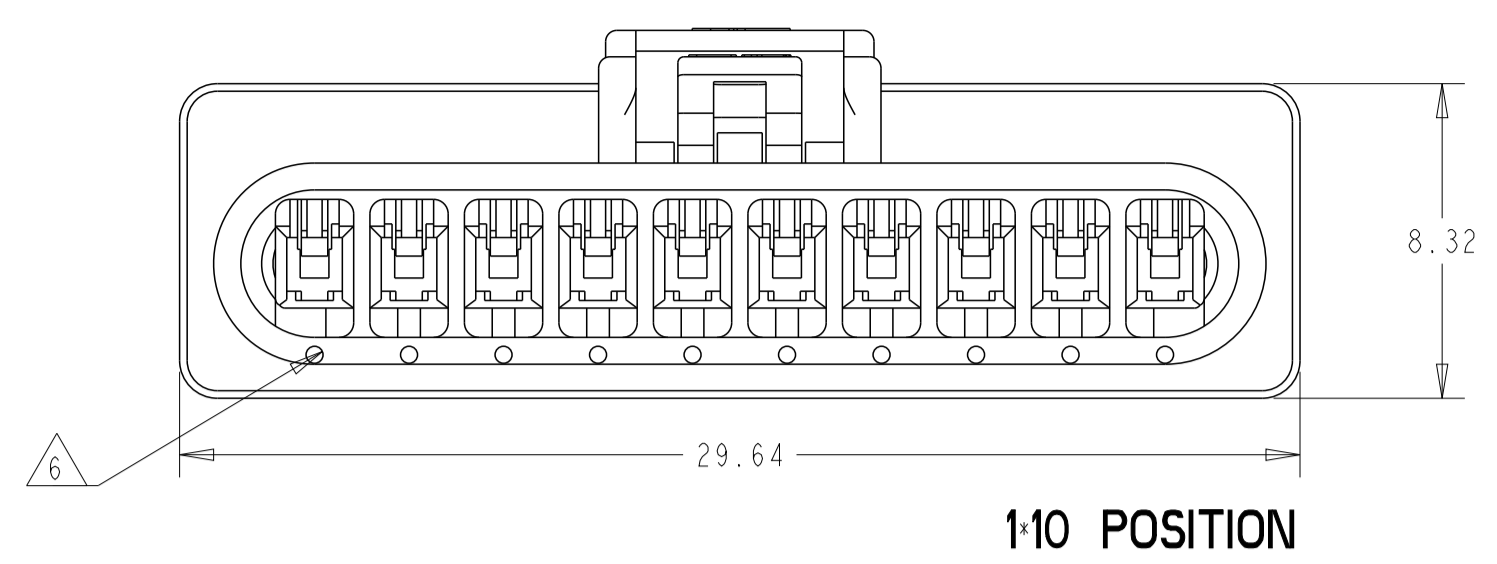
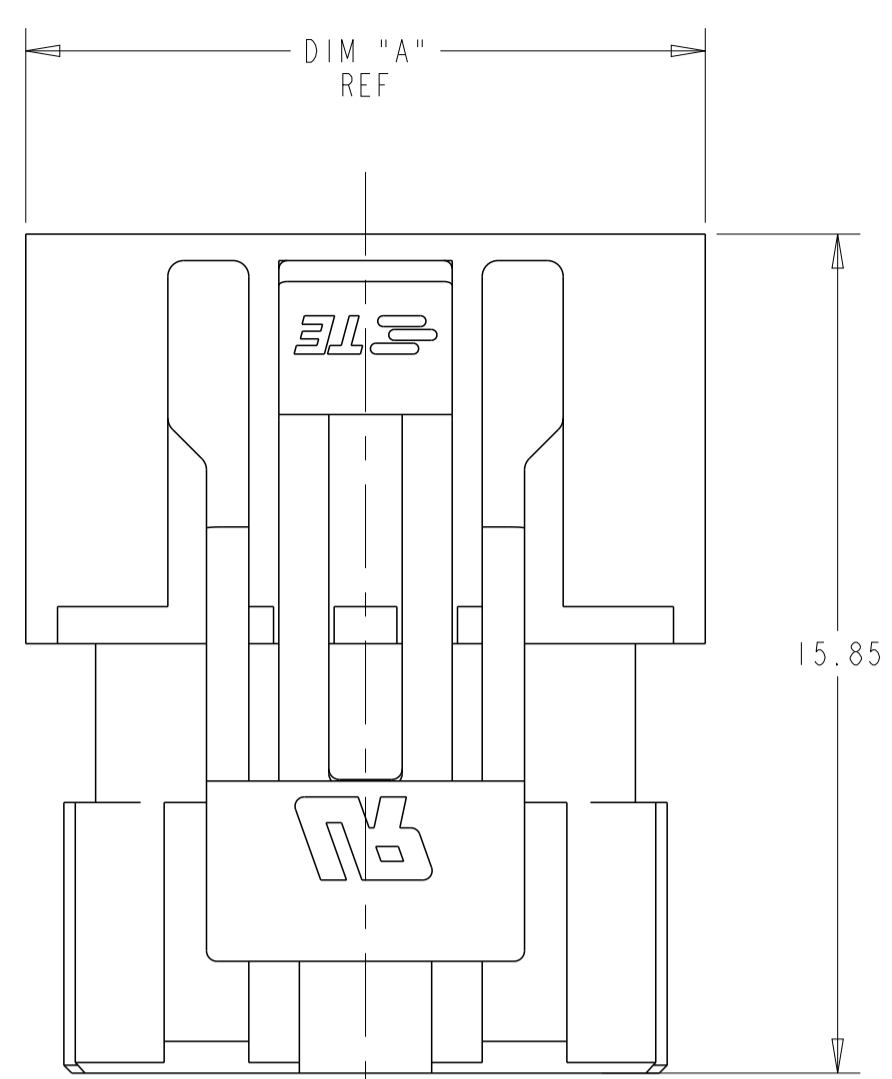
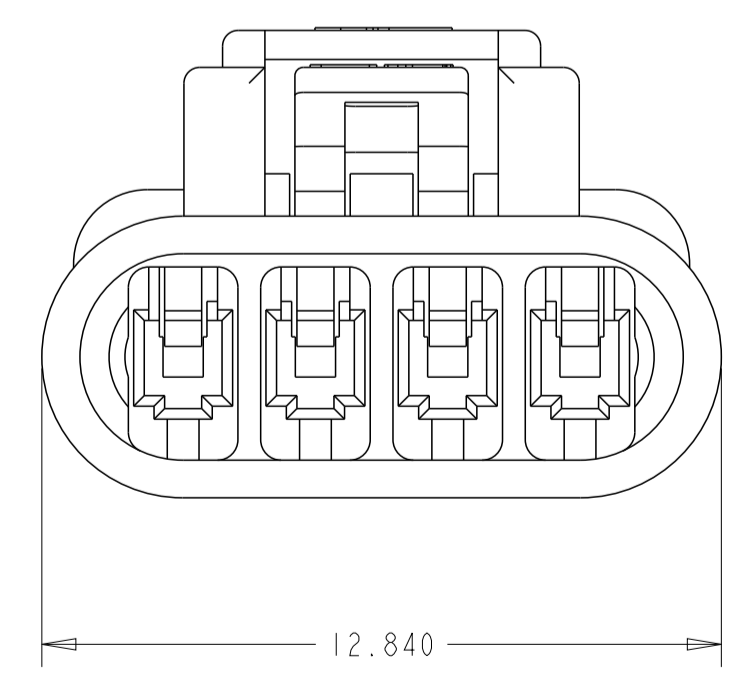
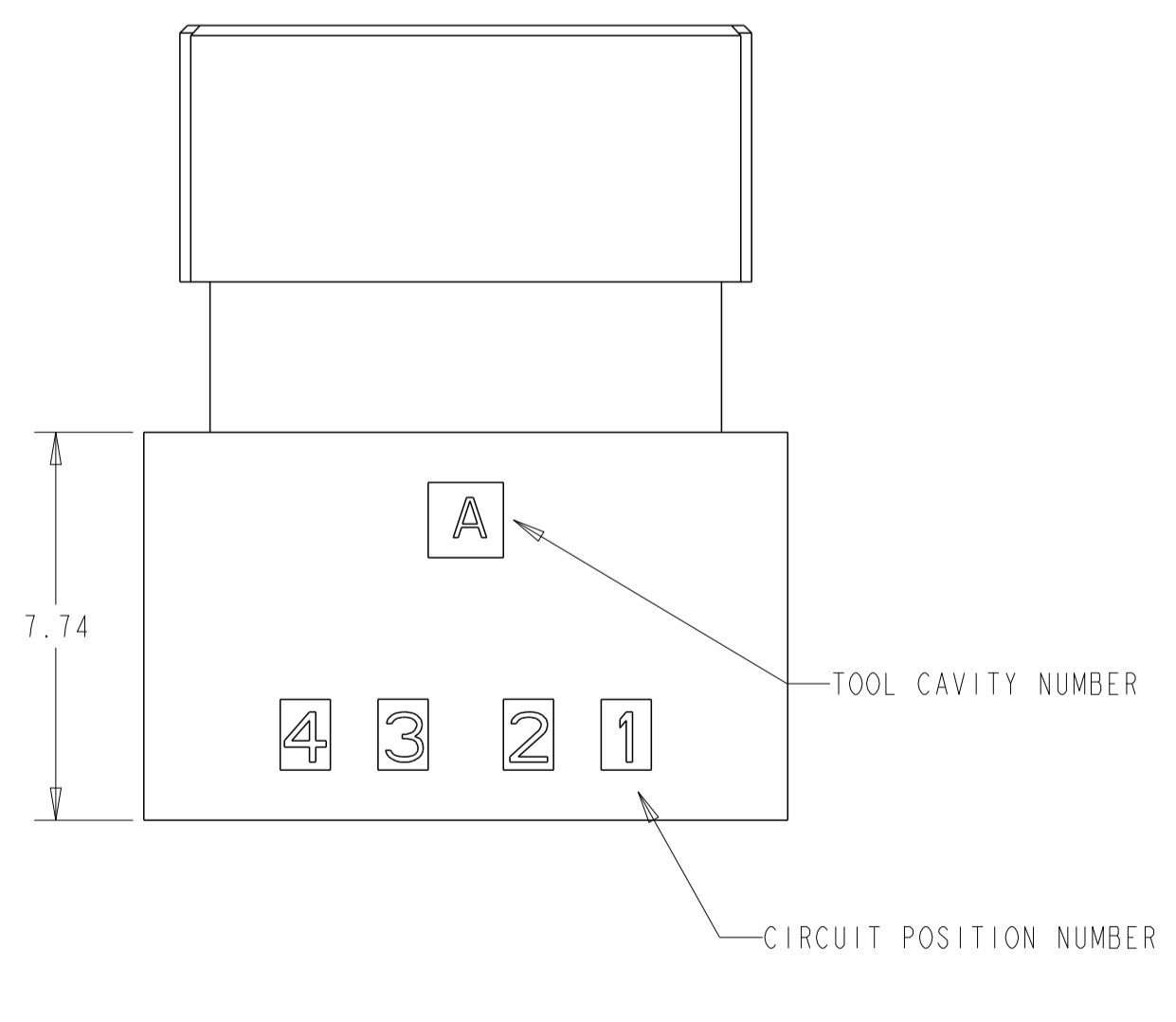
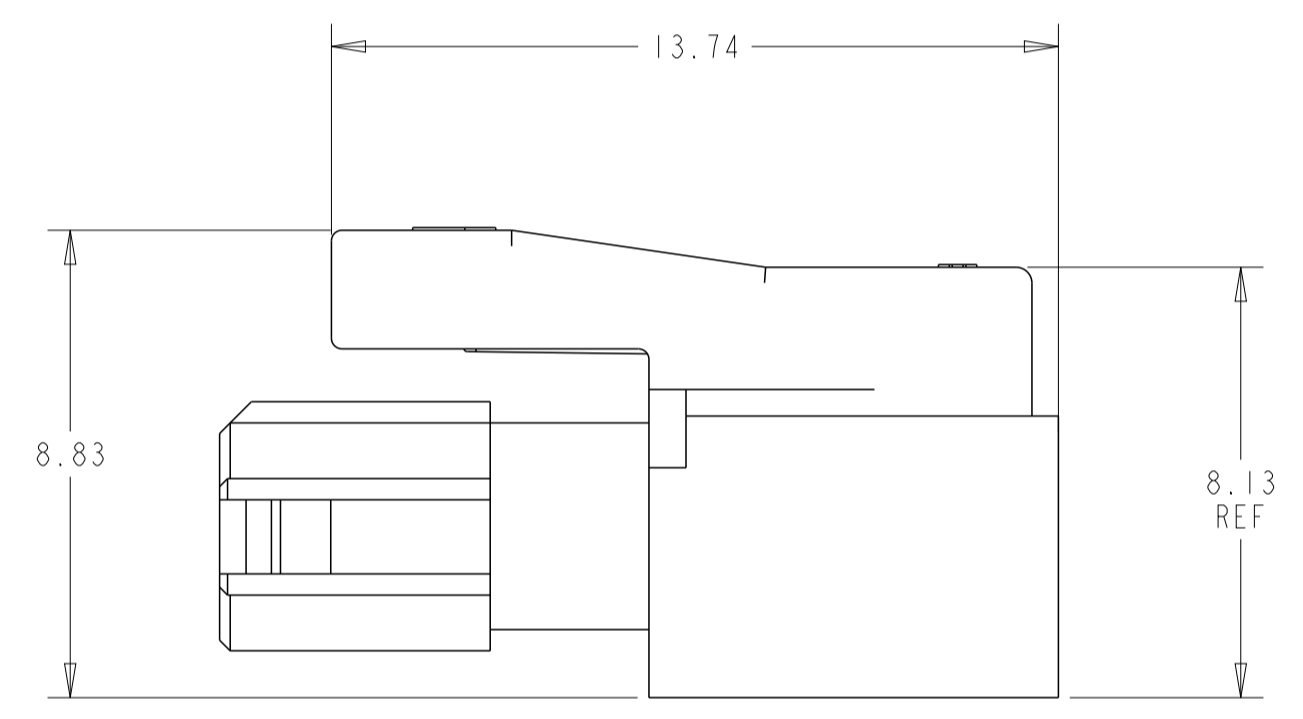
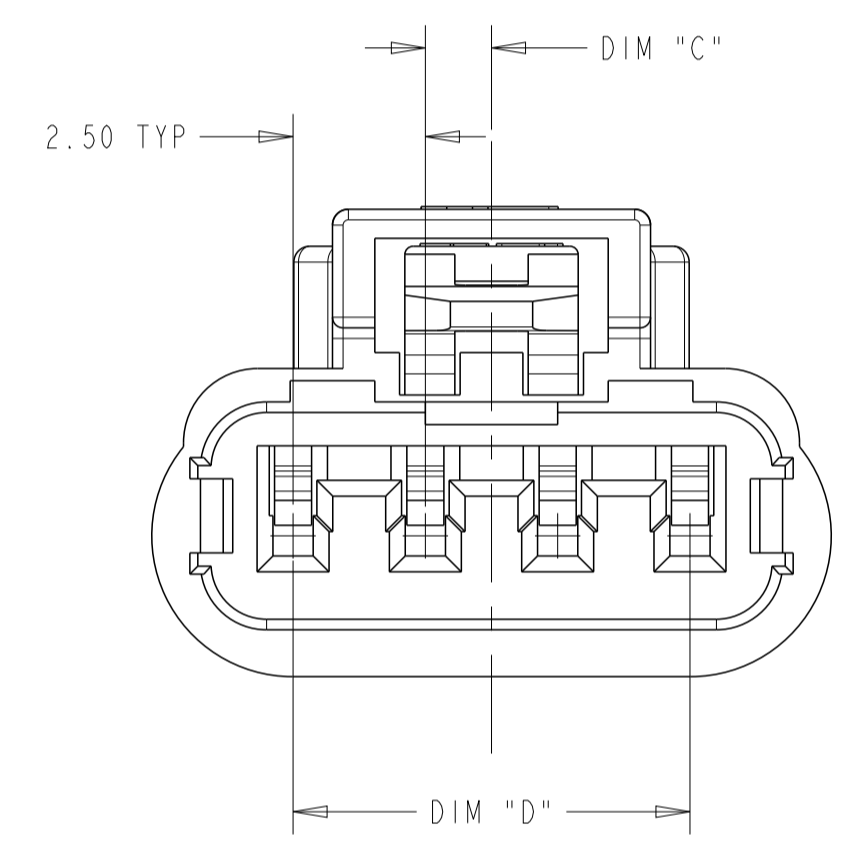
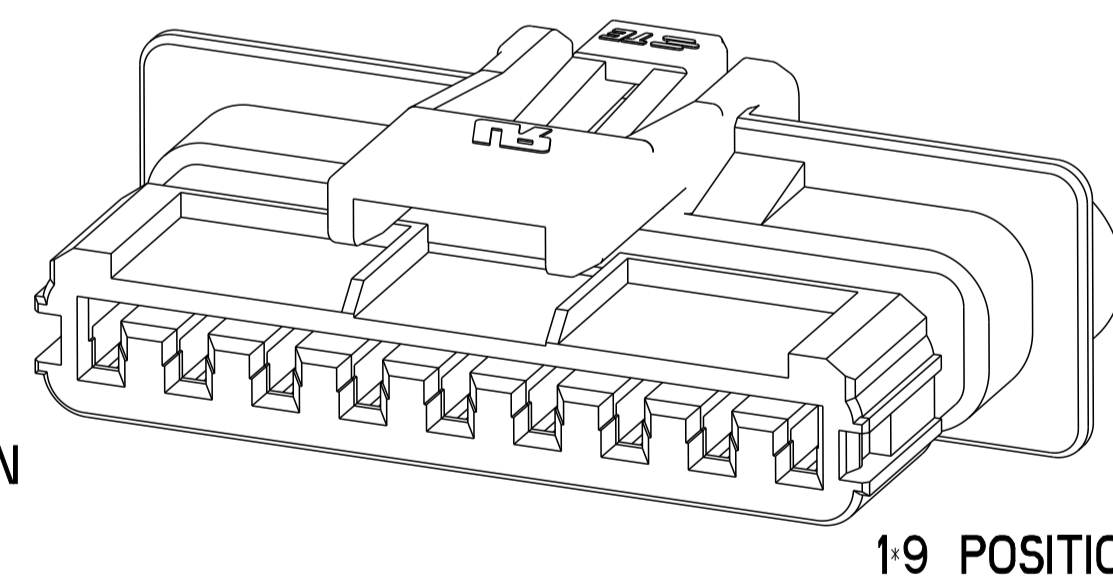
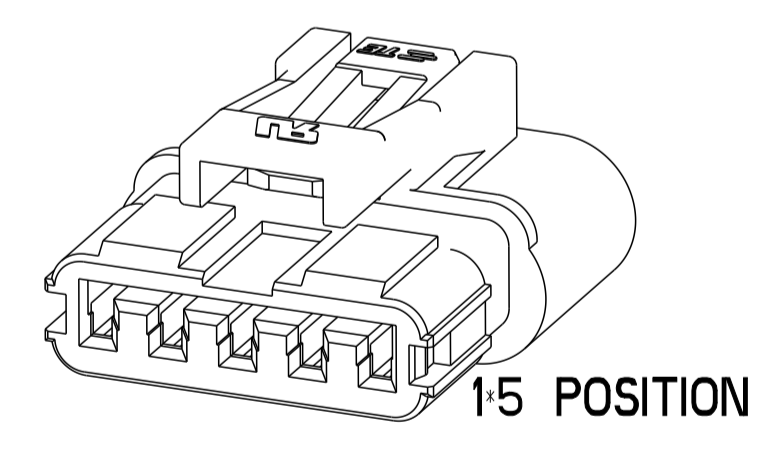
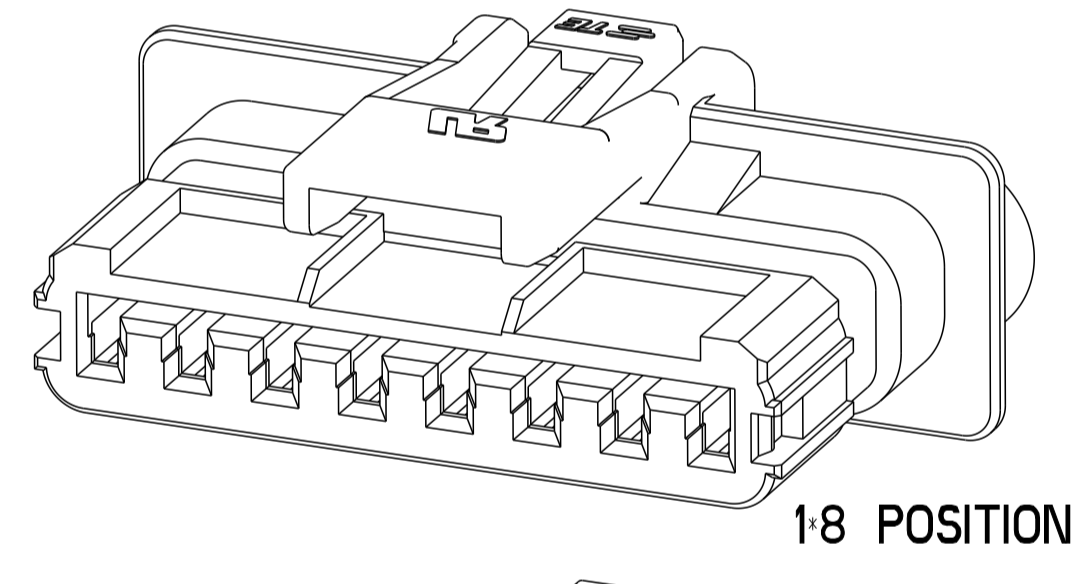
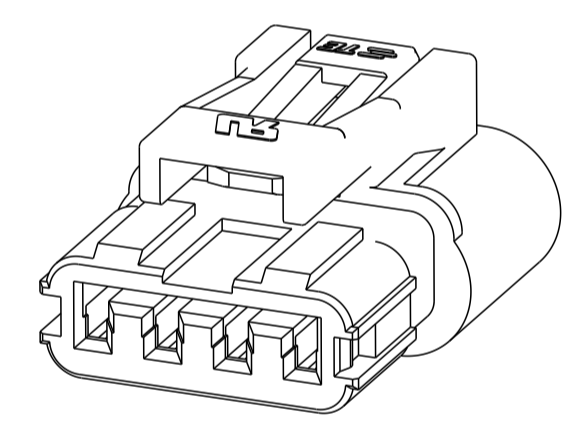
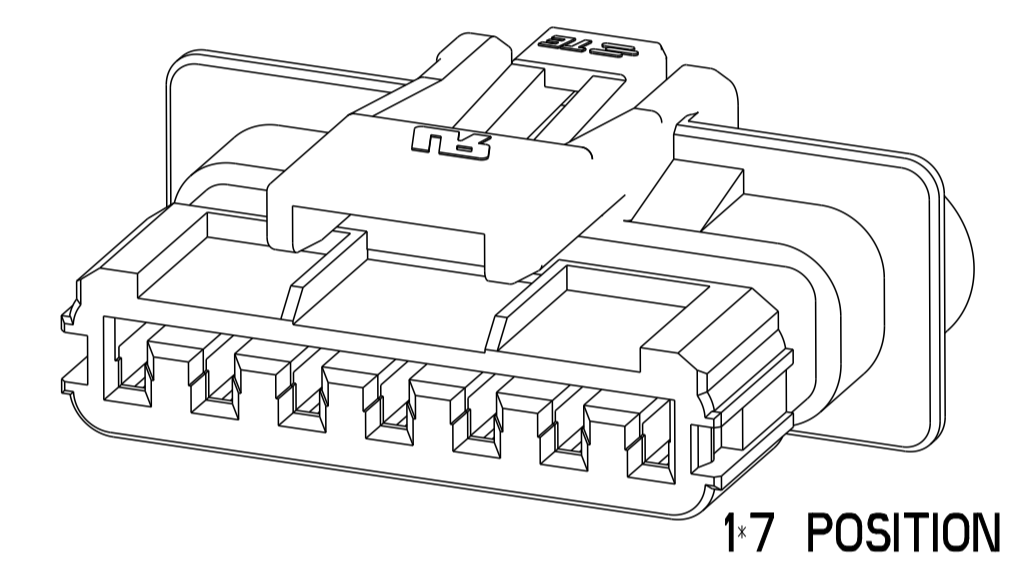
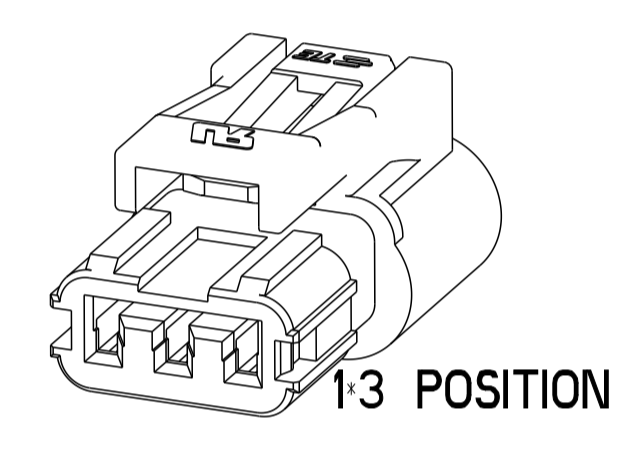
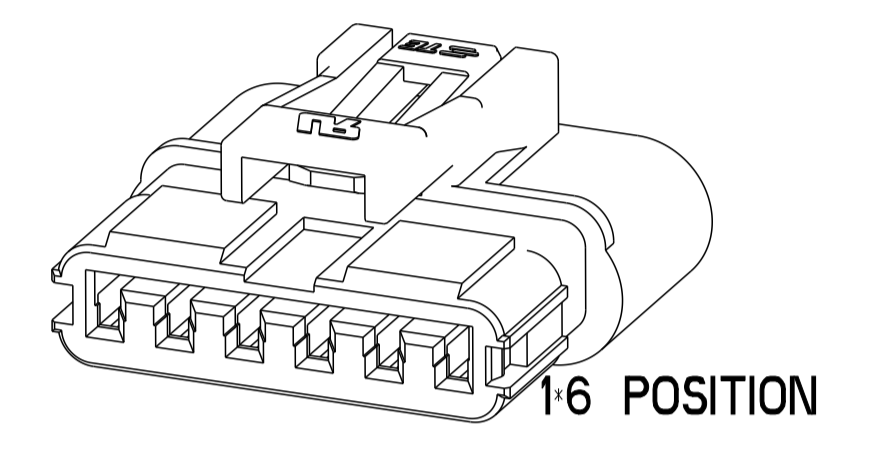
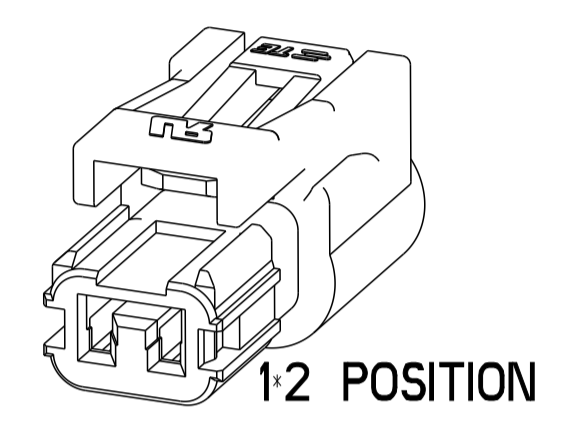


REVISIONS					
P	LTN	DESCRIPTION	DATE	DMN	APVD
A		REVISED PER ECN-23-216128	09JUN2023	SK	DZ
				SK	DZ



- 1 MATERIAL: THERMOPLASTIC, UL94V-0, COLOR: NATURAL
- 2. APPLICABLE CONTACT P/N
2321921-1 OR 1-2321921-1
- 3. MATING CONNECTOR P/N
CAP HSG: 2443725-*/2443727-*
PERIMETER SEAL: 2321920-*
GANG SEAL: 2443732-*/2321922-*
- 4 COMPLY WITH GLOW WIRE REQUIREMENTS FOR PARTS OF NON-METALLIC MATERIAL SUPPORTING A CURRENT-CARRYING CONNECTION DETAILED IN IEC 60335-1, SECTION 30(GWT)
- 5 PRELIMINARY PART - NOT RELEASED FOR PRODUCTION
THIS PART HAS NOT COMPLETED QUALIFICATION TESTING
- 6 TERMINAL ORIENTATION MARKING



22.50	1.25	26.00	27.84	1*10	1-2443729-0
20.00	0	23.50	25.34	1*9	2443729-9
17.50	1.25	21.00	22.84	1*8	2443729-8
15.00	0	18.50	20.34	1*7	2443729-7
12.50	1.25	16.00	17.84	1*6	2443729-6
10.00	0	13.50	15.34	1*5	2443729-5
7.50	1.25	11.00	12.84	1*4	2443729-4
5.00	0	8.50	10.34	1*3	2443729-3
2.50	1.25	6.00	7.84	1*2	2443729-2
DIM "D"	DIM "C"	DIM "B"	DIM "A"	POSN	PART NUMBER

THIS DRAWING IS A CONTROLLED DOCUMENT.

DMN: SANTOSH K 13DEC2022
CHK: OTTO CHEN 13DEC2022
APVD: ZHANG DANIEL 13DEC2022

TE TE Connectivity

NAME: PLUG HOUSING, SDL 2.5 WATERPROOF

PRODUCT SPEC: 108-143069

APPLICATION SPEC: 114-143067

SIZE: A1 CAGE CODE: 00779 DRAWING NO: 2443729

RESTRICTED TO: -

MATERIAL: THERMOPLASTIC, UL94V-0, COLOR: NATURAL

FINISH: -

WEIGHT: -

CUSTOMER DRAWING

SCALE: 7:1 SHEET: 1 OF 1 REV: A