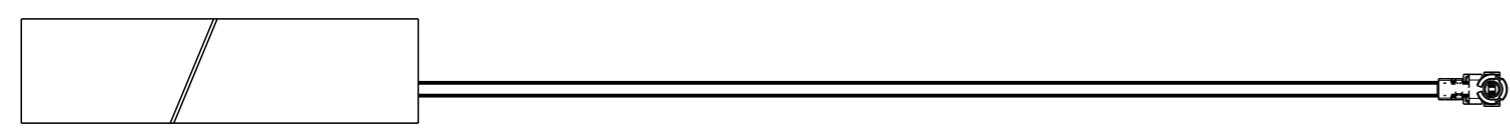
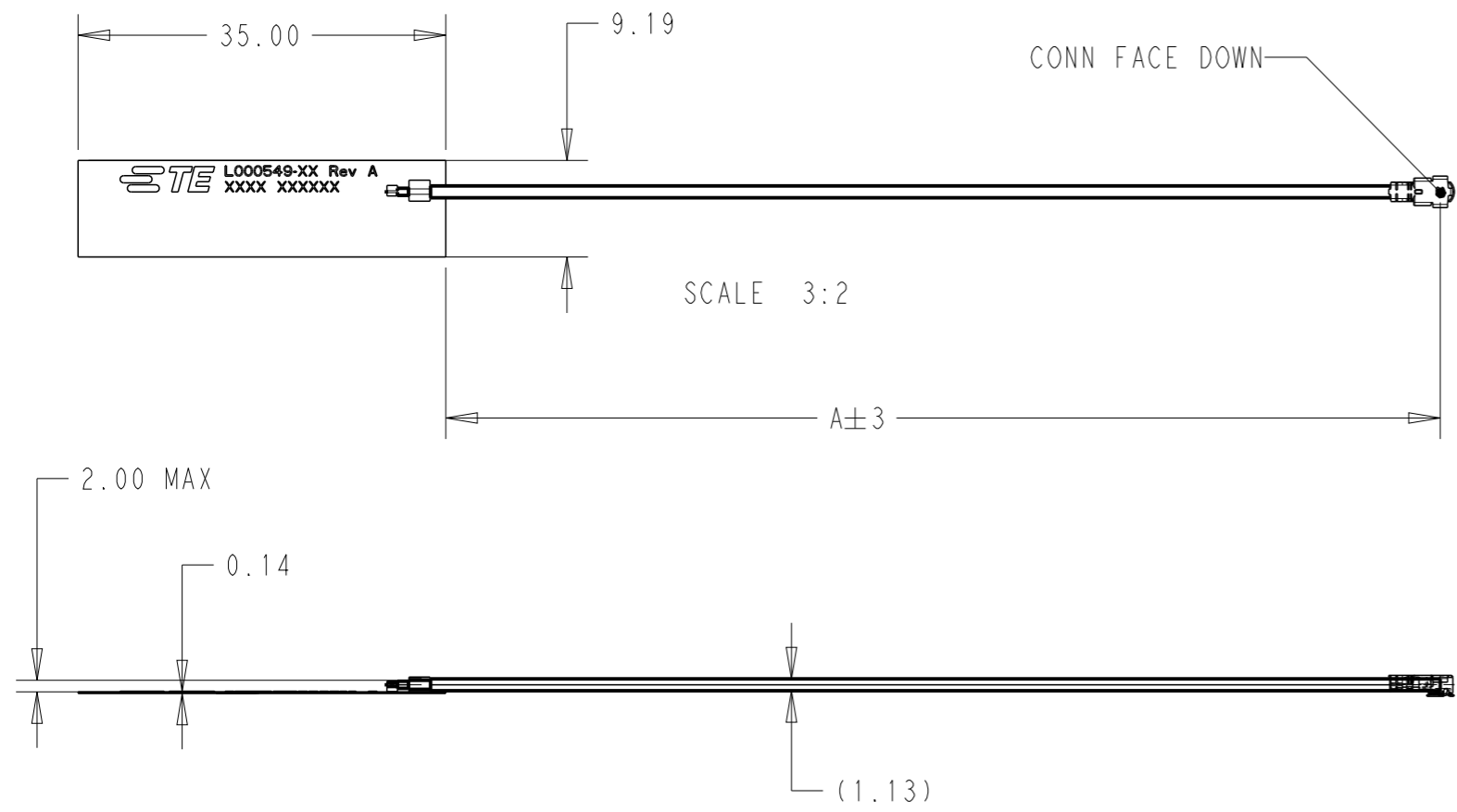



P	LTR	DESCRIPTION	DATE	DWN	APVD
1		NEW DRAWING	25MAY2023	DC	JH
2		UPDATE NOTE TYPO	15JUN2023	DC	JH
A		GTP ECN-23-220502	04JUL2023	DC	JH

ASSEMBLY NOTES:

- FABRICATE TO MEET IPC - 6013, CLASS 2.  
INSPECT TO MEET IPC - A - 600, CLASS 2.
- MATERIAL  
A. PI FILM+VHB AHDESIVE  
B. CABLE : COAX CABLE DIA 1.13 CONN. I-PEX, OR EQUIVAKENT.
- FINISH:  
A. SOLDERMASK BOTH SIDES: ORANGE
- GENERAL TOLERANCE +/- 0.2
- PACKAGE : SINGULATED PARTS TO BE SECURELY BAG WRAPPED, BAGGED OR VACUM PACKED IN BULK.
- CONSULT TE CONNECTIVITY DS\_L000549
- SILKSCREEN; WHITE EPOXY INK  
A. TE LOGO. P/N  
B. WORD REV, FOLLOWED BY LATEST REVISION LETTER AS SHOWN  
C. 4 DIGIT DATE CODE : FIRST 2 DIGITS FOR THE WEEK CODE AND 2ND 2 DIGITS FOR THE YEAR CODE.  
OTHERS:SPECIFIC TE SOURCE CODE NUMBER DIGITS AS REQUIRED



MHF 4L	150.00	L000549-06
	100.00	L000549-05
	50.00	L000549-04
MHF	150.00	L000549-03
	100.00	L000549-02
	50.00	L000549-01
CONNECTOR TYPE	"A"	PART NUMBER

THIS DRAWING IS A CONTROLLED DOCUMENT.		DWN DC 25MAY2023	 TE Connectivity		
DIMENSIONS: mm		CHK SJ 20JUN2023			
TOLERANCES UNLESS OTHERWISE SPECIFIED:		APVD JH 20JUN2023	NAME FPC ANT, VDP, 915MHz		
0 PLC ±- 1 PLC ±- 2 PLC ±- 3 PLC ±- 4 PLC ±- ANGLES ±-		PRODUCT SPEC -	RESTRICTED TO -		
MATERIAL TBD material_2		APPLICATION SPEC -	SIZE A3	CAGE CODE 00779	DRAWING NO ©-L000549
FINISH -		WEIGHT -	SCALE 1:1		
CUSTOMER DRAWING		SHEET 1 OF 1		REV A	