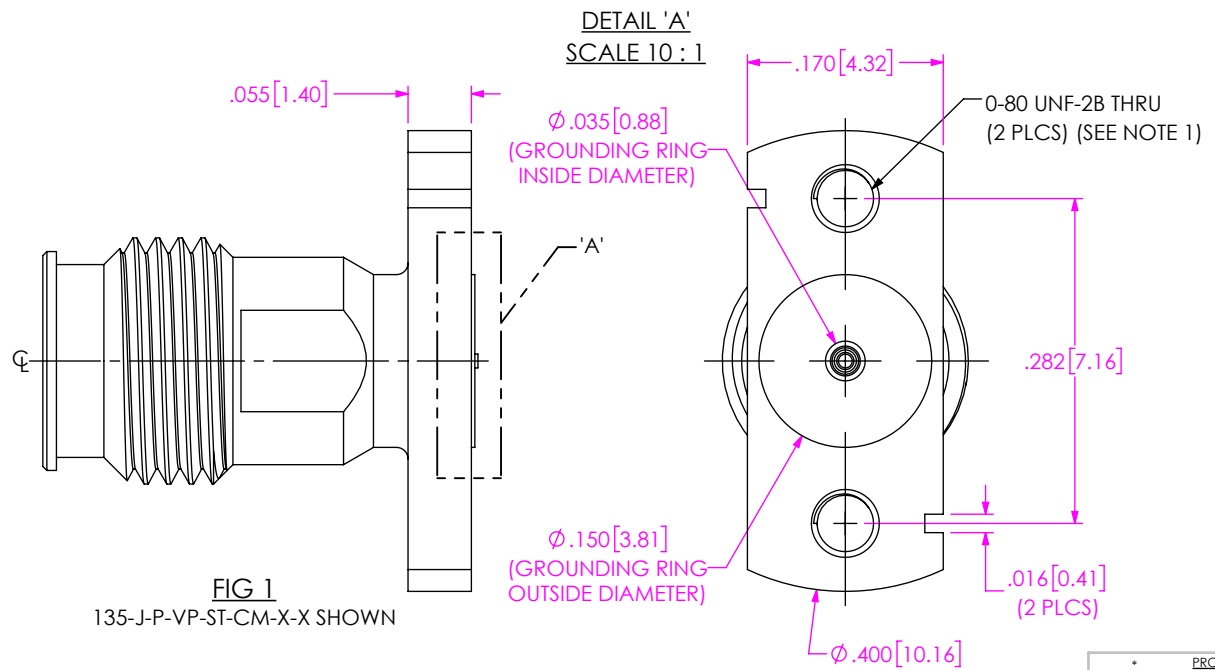
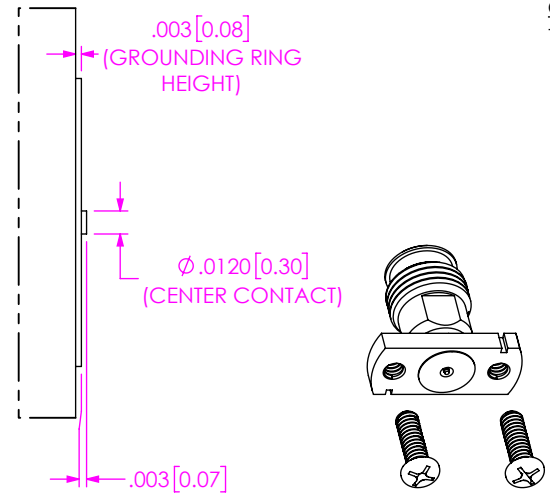
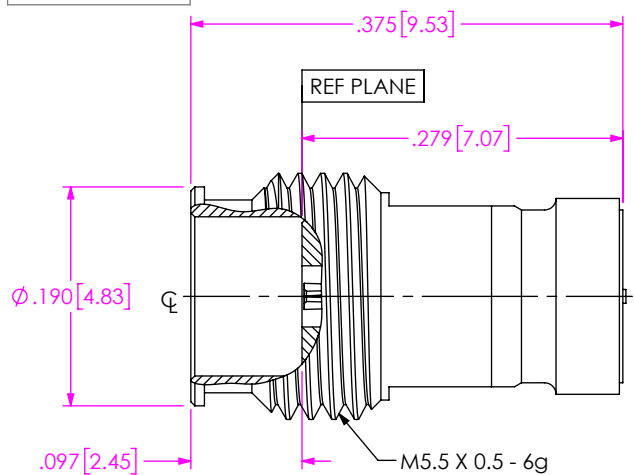


**DESIGNED AND DIMENSIONED IN INCHES[MILLIMETERS]
ALL DIMENSIONS REFERENCE EXCEPT AS SHOWN**

DO NOT SCALE FROM THIS PRINT



135-J-P-VP-ST-CM-X-X

SERIES
135: 1.35MM

GENDER
-J: JACK

TYPE
-P: PCB

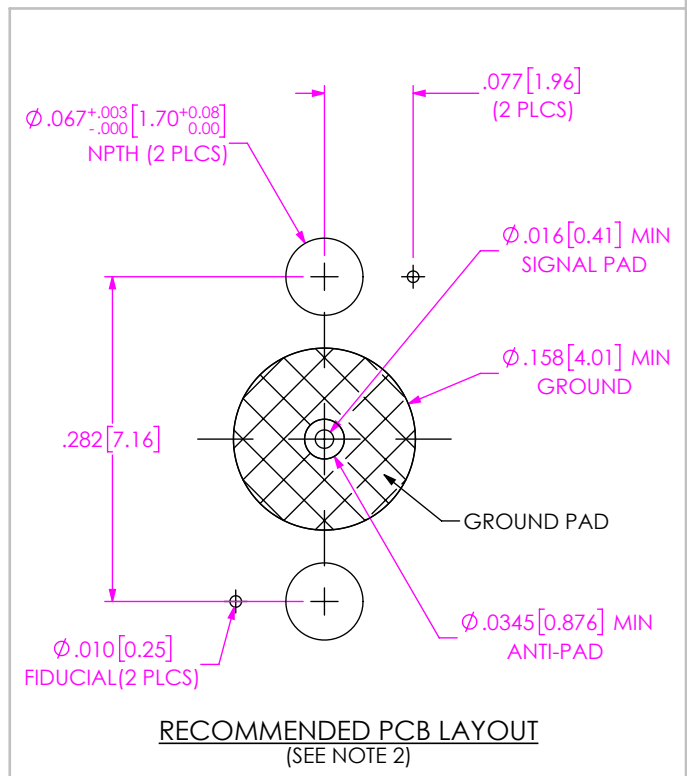
FINISH
-VP: 50μ" PRECISION GOLD CENTER CONTACT, PASSIVATED OUTER CONTACT

PACKAGING
-BLANK: INDIVIDUALLY BAGGED
-B: BULK PACKAGED (QTY=100 MAX)

OPTION
-1: OPTION 1 (WITHOUT SCREWS)
-2: OPTION 2 (WITH SCREWS)

TERMINATION
-CM: COMPRESSION MOUNT STRIPLINE

ORIENTATION
-ST: STRAIGHT



- NOTES:
1. RECOMMENDED MOUNTING TORQUE 0.5-0.8 INCH POUNDS.
 2. THIS IS A GENERAL FOOTPRINT AND IS NOT OPTIMIZED FOR ELECTRICAL PERFORMANCE, CONTACT SIG@SAMTEC.COM FOR ASSISTANCE WITH ELECTRICAL LAYOUT.

<p>PROPRIETARY NOTE</p> <p>THIS DOCUMENT CONTAINS CONFIDENTIAL AND PROPRIETARY INFORMATION AND ALL DESIGN, MANUFACTURING, REPRODUCTION, USE, PATENT RIGHTS AND SALES RIGHTS ARE EXPRESSLY RESERVED BY SAMTEC, INC. THIS DOCUMENT SHALL NOT BE DISCLOSED, IN WHOLE OR PART, TO ANY UNAUTHORIZED PERSON OR ENTITY NOR REPRODUCED, TRANSFERRED OR INCORPORATED IN ANY OTHER PROJECT IN ANY MANNER WITHOUT THE EXPRESS WRITTEN CONSENT OF SAMTEC, INC.</p>		<p>520 PARK EAST BLVD, NEW ALBANY, IN 47150 PHONE: 812-944-6733 FAX: 812-948-5047 e-Mail: info@SAMTEC.com code: 55322</p>	
<p>DO NOT SCALE DRAWING SHEET SCALE: 6:1</p>		<p>DESCRIPTION: 1.35MM ST JACK FOR COMPRESSION MOUNT STRIPLINE</p>	
<p>MATERIAL:</p> <p>BODY, BUSHING & SCREW: STAINLESS STEEL SOCKET: COPPER ALLOY</p>		<p>DWG. NO.</p> <p>135-J-P-VP-ST-CM-X-X</p>	
<p>F:\DWG\MISC\MKTG\135-J-P-VP-ST-CM-X-X-MKT.SLDDRW</p>		<p>BY: SHERRY W 8/26/2020 SHEET 1 OF 1</p>	