

**DESIGNED AND DIMENSIONED IN INCHES[MILLIMETERS]  
ALL DIMENSIONS REFERENCE EXCEPT AS SHOWN**

DO NOT SCALE FROM THIS PRINT

185-J-P-EP-ST-EL-01-X

**SERIES**  
185: 1.85MM

**GENDER**  
-J: JACK

**TYPE**  
-P: PCB

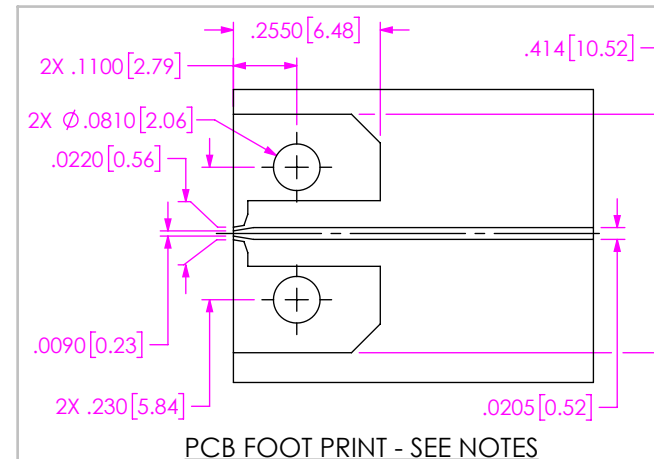
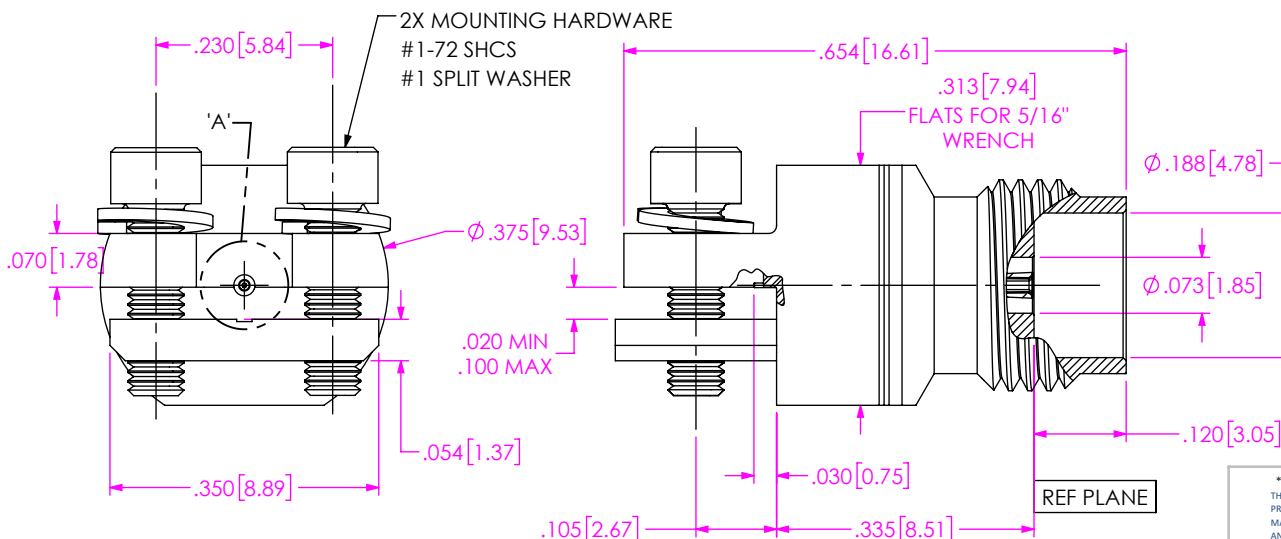
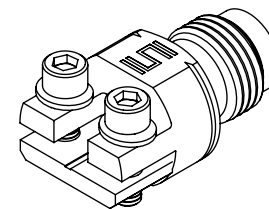
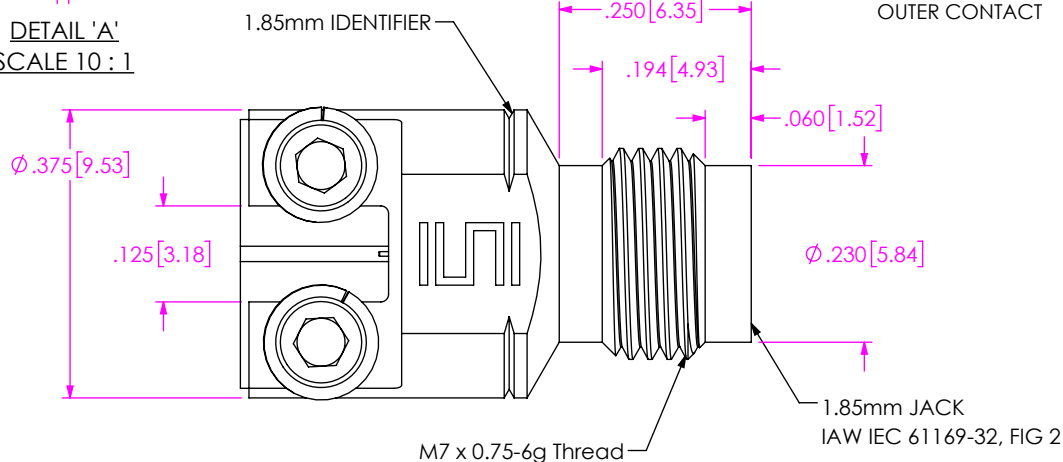
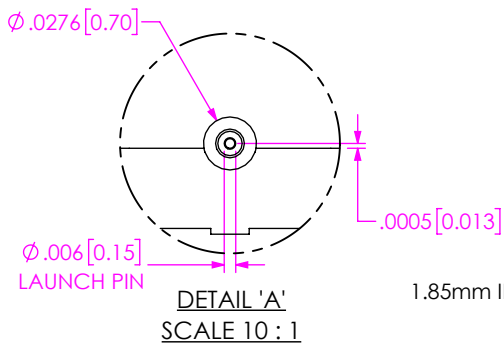
**FINISH**  
-EP: 50µ" EXTRA HEAVY GOLD CENTER CONTACT, PASSIVATED OUTER CONTACT

**PACKAGING**  
-BLANK: INDIVIDUALLY BAGGED  
-B: BULK PACKAGED (QTY=100 MAX)

**OPTION**  
-01: PCB THICKNESS 0.040" TO 0.100"

**TERMINATION**  
-EL: EDGE LAUNCH

**ORIENTATION**  
-ST: STRAIGHT



NOTES:

1. RECOMMENDED TORQUE 0.5~0.8 INCH-POUNDS.
2. THIS IS A GENERAL FOOTPRINT AND IS NOT OPTIMIZED FOR ELECTRICAL PERFORMANCE, CONTACT SIG@SAMTEC.COM FOR ASSISTANCE WITH ELECTRICAL LAYOUT.

PROPRIETARY NOTE

THIS DOCUMENT CONTAINS CONFIDENTIAL AND PROPRIETARY INFORMATION AND ALL DESIGN, MANUFACTURING, REPRODUCTION, USE, PATENT RIGHTS AND SALES RIGHTS ARE EXPRESSLY RESERVED BY SAMTEC, INC. THIS DOCUMENT SHALL NOT BE DISCLOSED, IN WHOLE OR PART, TO ANY UNAUTHORIZED PERSON OR ENTITY NOR REPRODUCED, TRANSFERRED OR INCORPORATED IN ANY OTHER PROJECT IN ANY MANNER WITHOUT THE EXPRESS WRITTEN CONSENT OF SAMTEC, INC.



520 PARK EAST BLVD, NEW ALBANY, IN 47150  
PHONE: 812-944-6733 FAX: 812-948-5047  
e-Mail: info@SAMTEC.com code: 55322

MATERIAL: DO NOT SCALE DRAWING SHEET SCALE: 6:1  
BODY, BUSHING & SCREW: STAINLESS STEEL  
SOCKET: BeCu COPPER ALLOY  
MOUNTING HARDWARE: STAINLESS STEEL

DESCRIPTION: 1.85MM JACK EDGE LAUNCH

DWG. NO. 185-J-P-EP-ST-EL-01-X

BY: ERIC O 5/06/2021 SHEET 1 OF 1