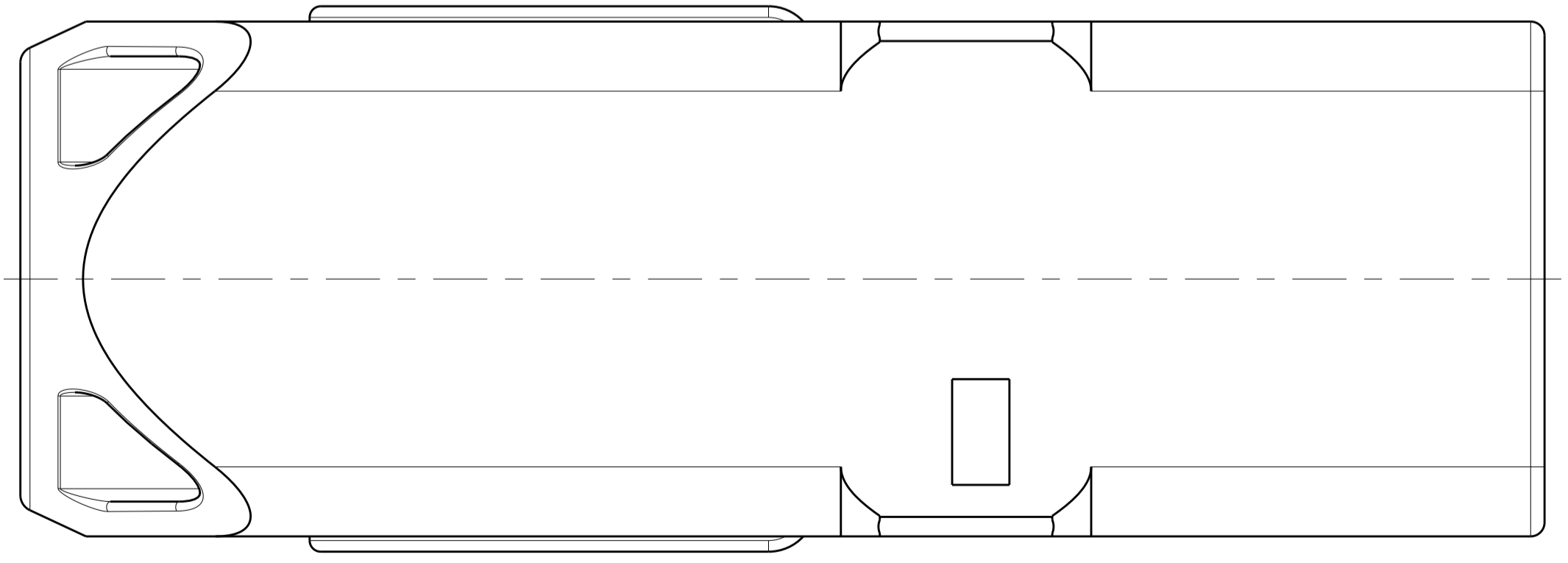
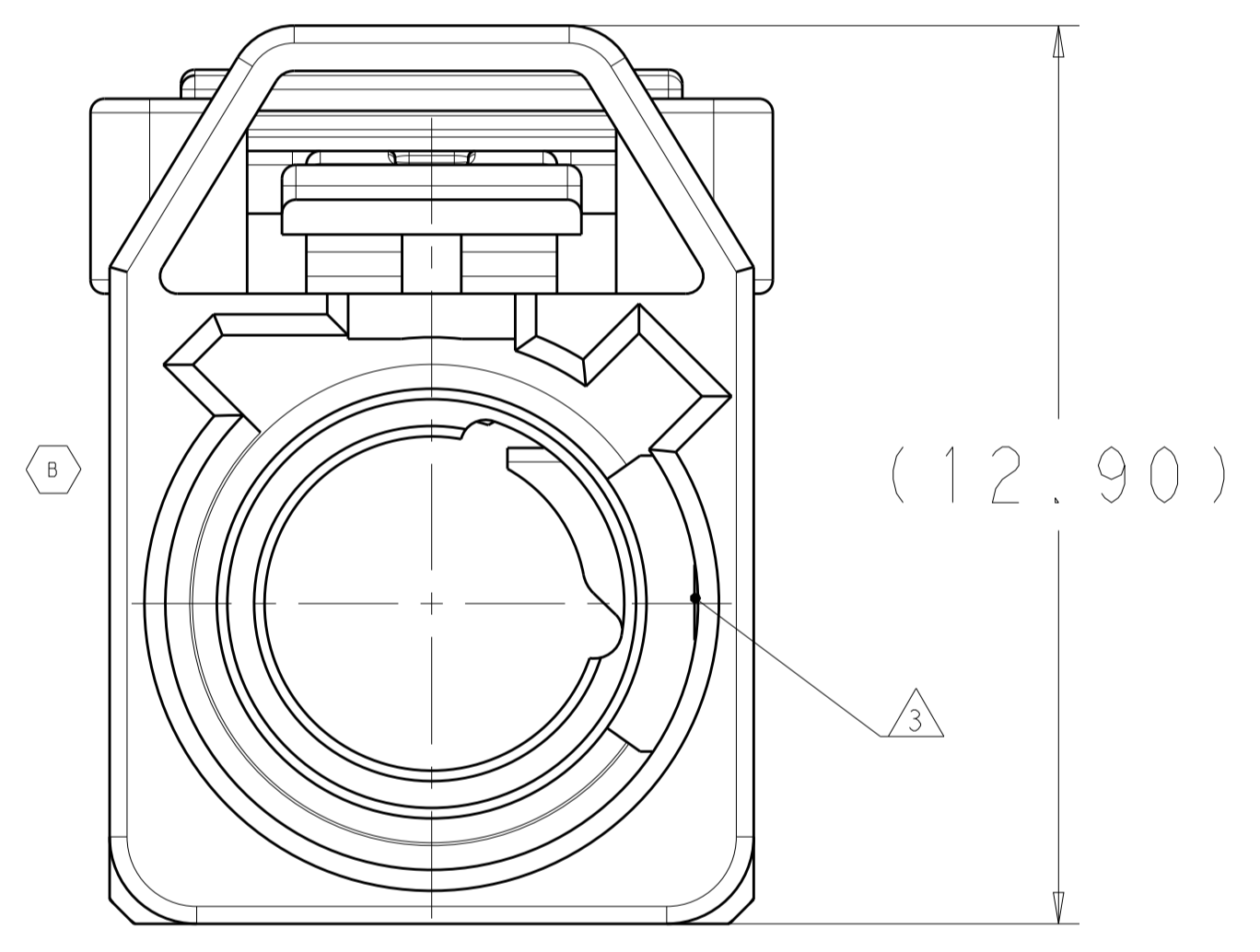
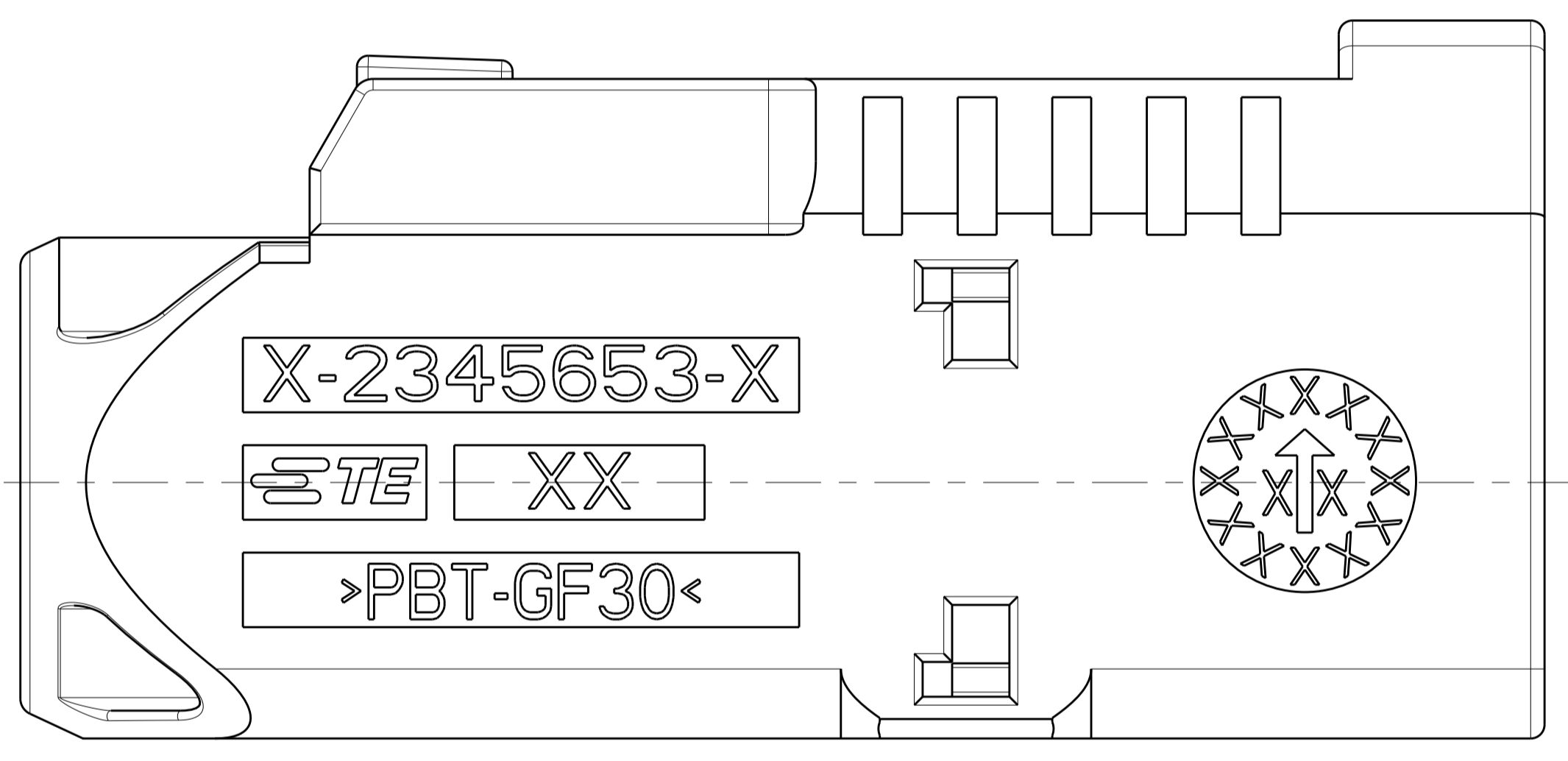
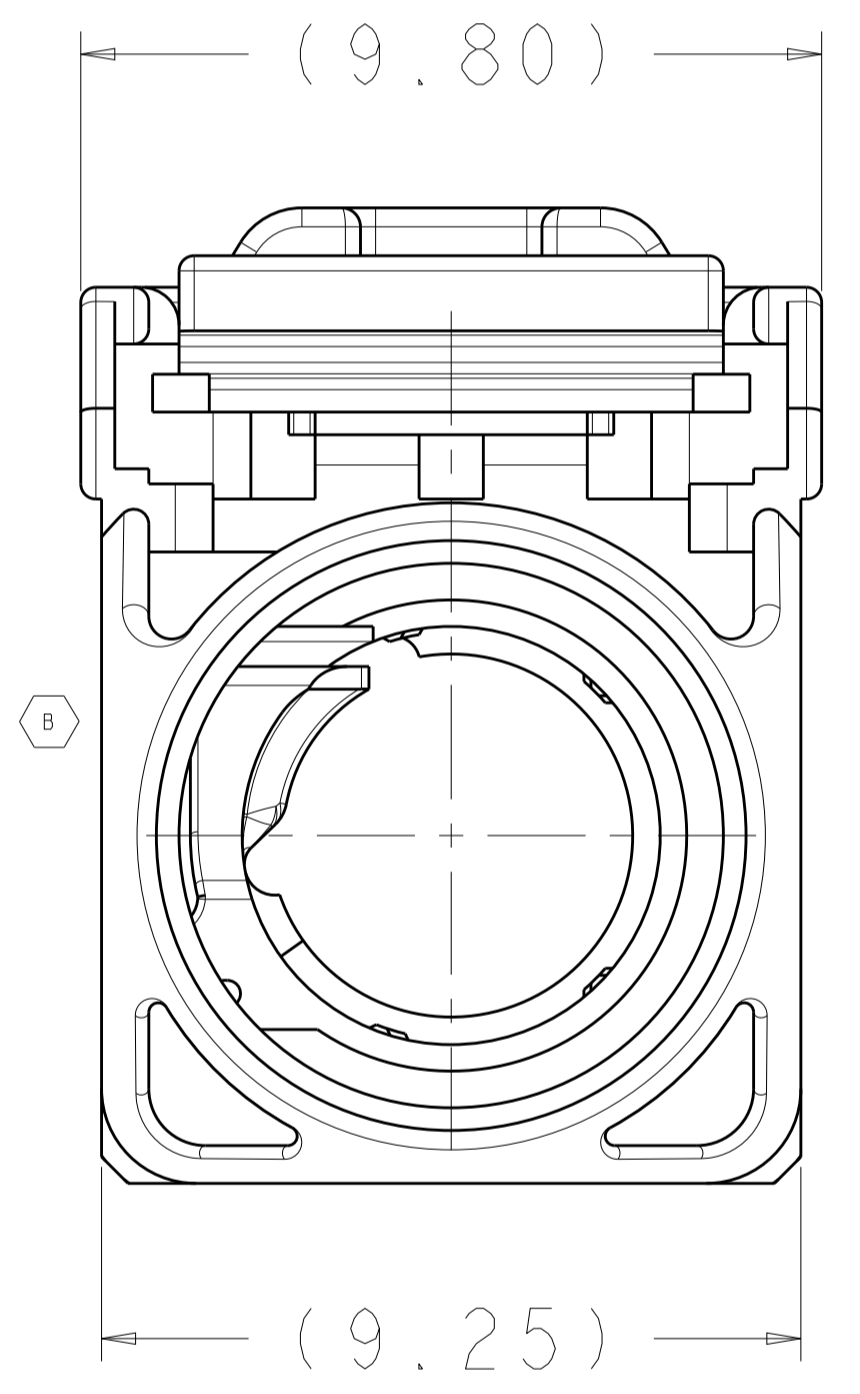
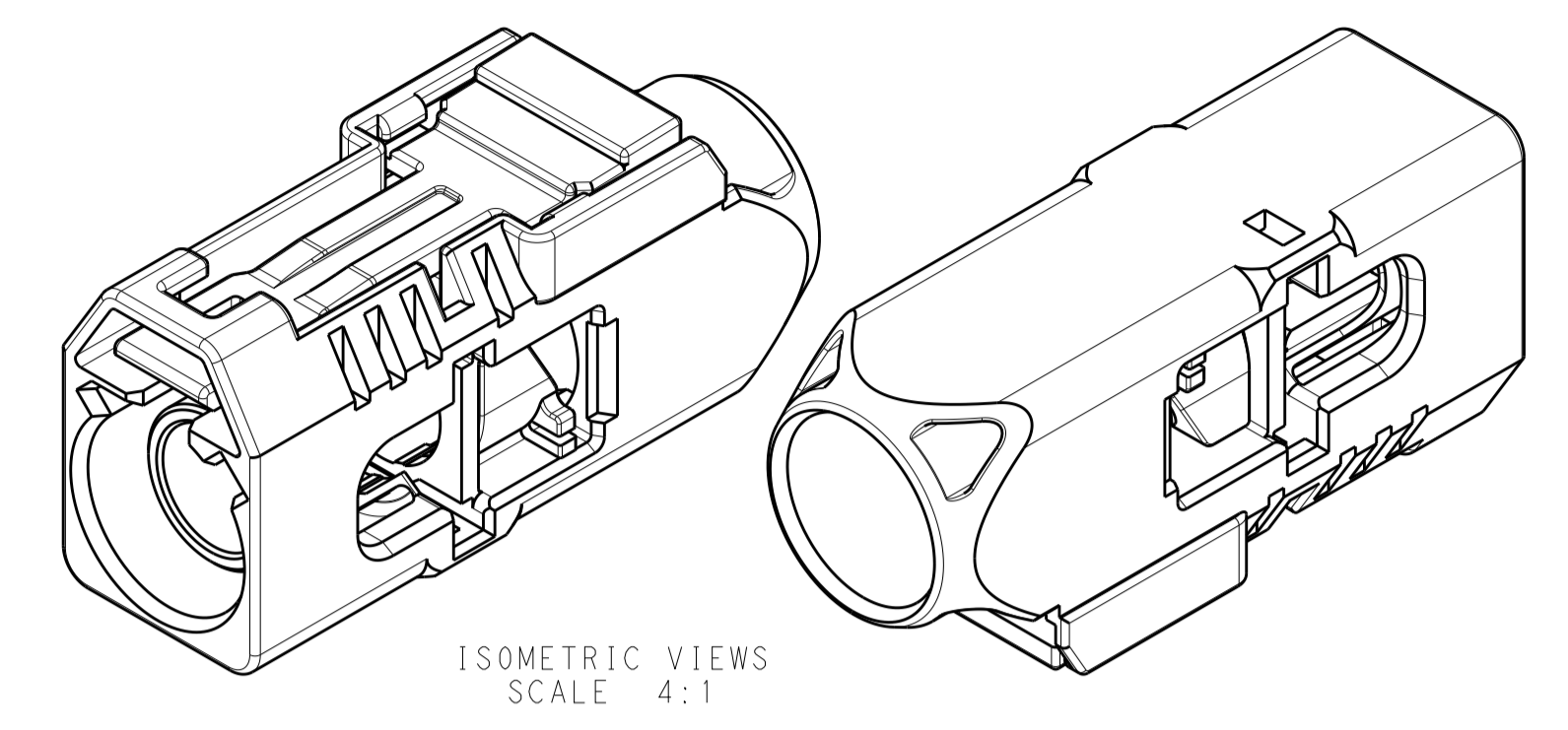
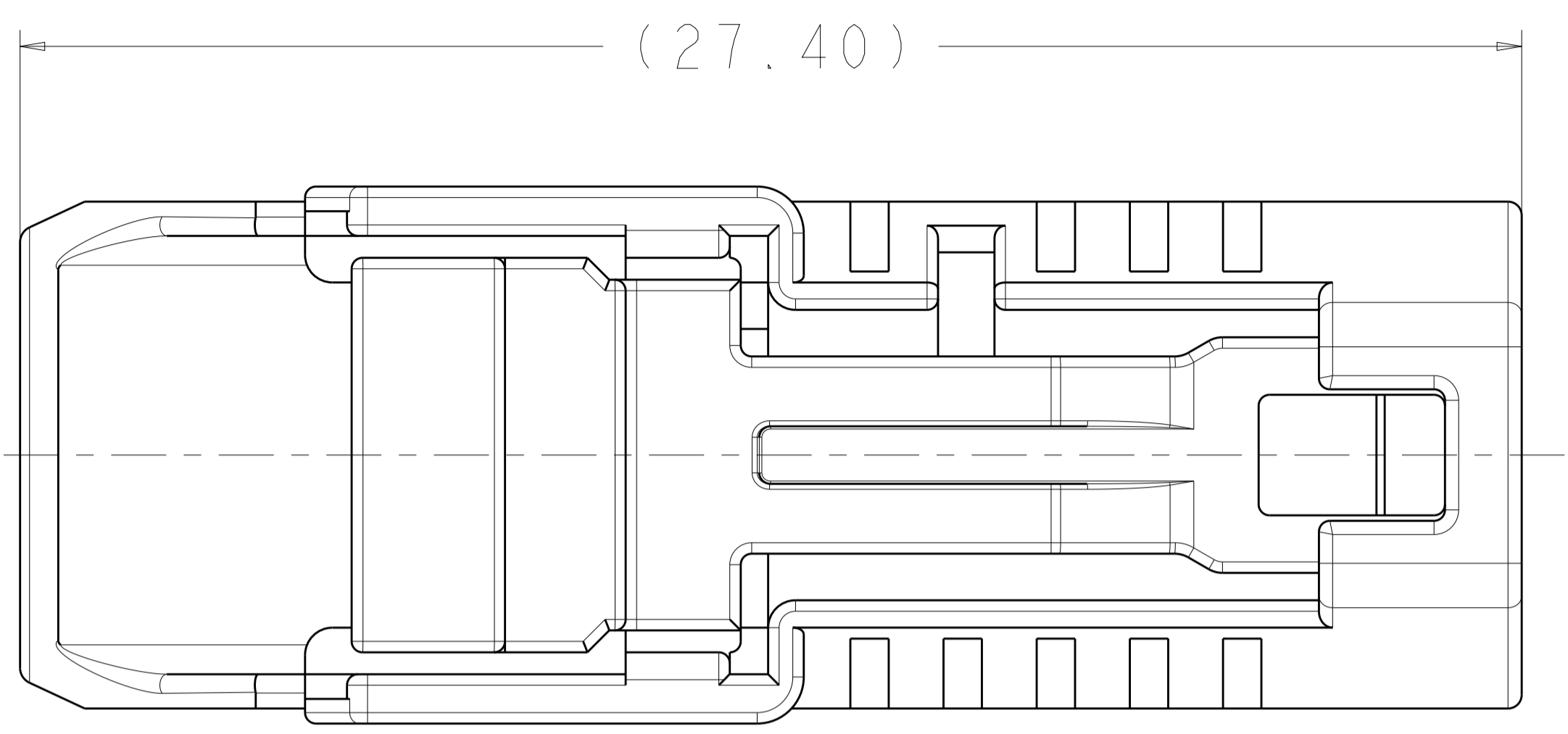


REVISIONS				
P.	LTN	DESCRIPTION	DATE	APVD
A		INITIAL RELEASED	03DEC18	L. Y. J. Y.
A1		REVISED PER ECO-19-017252	31OCT19	L. Y. W. W.
A2		REVISED PER ECO-20-005746	21APR20	L. Y. W. W.
B		REVISED PER ECO-20-013724	21SEP20	L. Y. W. W.



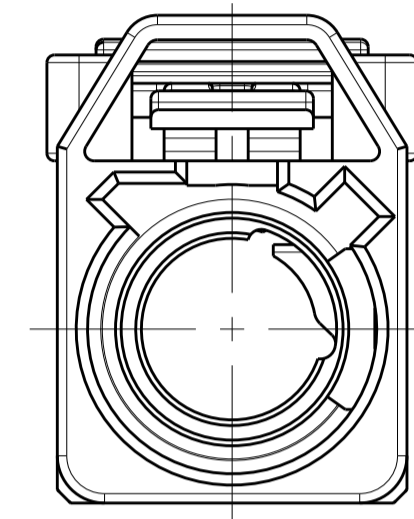
Z	PER DETAIL Z	WATER BLUE	2-2326910-0
N	PER DETAIL N	PASTEL GREEN	1-2326910-3
M	PER DETAIL M	PASTEL ORANGE	1-2326910-2
L	PER DETAIL L	CARMINE RED	1-2326910-1
K	PER DETAIL K	CURRY	1-2326910-0
I	PER DETAIL I	BEIGE	2326910-9
H	PER DETAIL H	HEATHER VIOLET	2326910-8
G	PER DETAIL G	BLUE GREY	2326910-7
F	PER DETAIL F	NUT BROWN	2326910-6
E	PER DETAIL E	LEAF GREEN	2326910-5
D	PER DETAIL D	CLARET VIOLET	2326910-4
C	PER DETAIL C	SIGNAL BLUE	2326910-3
B	PER DETAIL B	CREAM	2326910-2
A	PER DETAIL A	JET BLACK	2326910-1
KEY CODE	KEYING	CODING COLOR	PART NUMBER

- 1. 2326910-1 AS SHOWN.
- 2 MATERIAL, POLYESTER PBT, COLOR SEE TABLE.
- 3 FEMALE INTERFACE PER ISO-20860-1, ISO-20860-2, SAE/USCAR-17, SAE/USCAR-18.

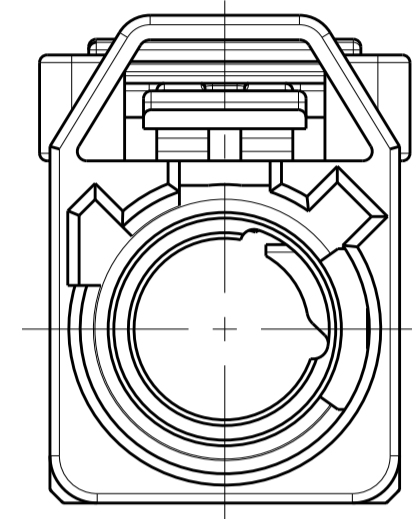
THIS DRAWING IS A CONTROLLED DOCUMENT.		OWN L. YANG 03DEC2018	TE Connectivity NAME FEMALE HOUSING, 1 POSITION, FAKRA
DIMENSIONS: mm		CHK F. PAN 03DEC2018	
TOLERANCES UNLESS OTHERWISE SPECIFIED:		APVD Y. IN 03DEC2018	PRODUCT SPEC 108-32137
0 PLC ±.05		APPLN SPEC 114-32145	SIZE A1
1 PLC ±.03		WEIGHT	CAGE CODE -
2 PLC ±.02		FINISH	DRAWING NO C=2326910
3 PLC ±.01			RESTRICTED TO
ANGLES ±.05			SCALE 10:1
MATERIAL			SHEET 1 OF 2
FINISH			REV B
		CUSTOMER DRAWING	

THIS DRAWING IS UNPUBLISHED. RELEASED FOR PUBLICATION. COPYRIGHT BY - ALL RIGHTS RESERVED.

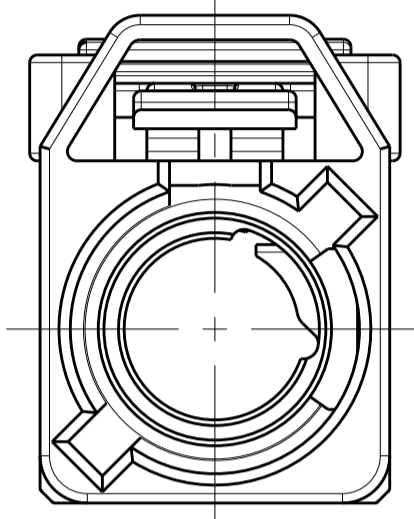
REVISIONS				
P.	LTN	DESCRIPTION	DATE	APVD
-		SEE SHEET 1	-	-



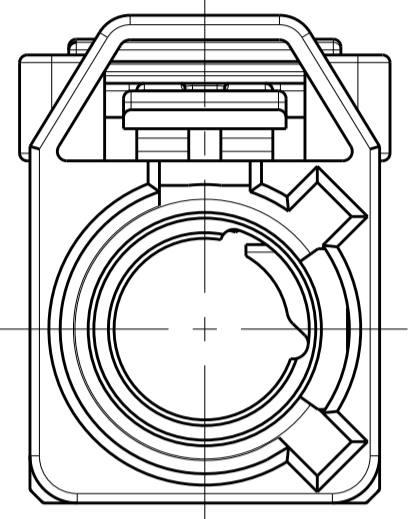
DETAIL A  
SCALE 5:1



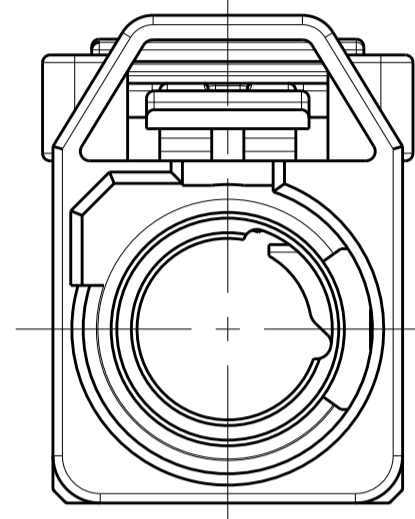
DETAIL B  
SCALE 5:1



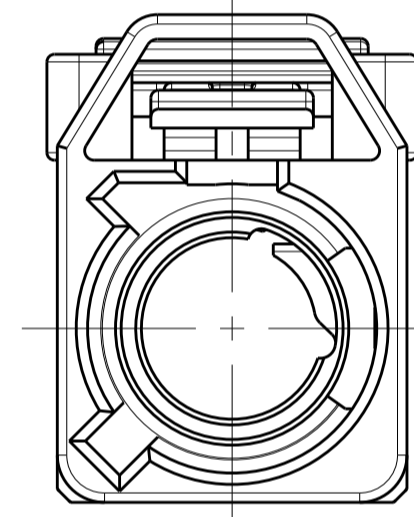
DETAIL C  
SCALE 5:1



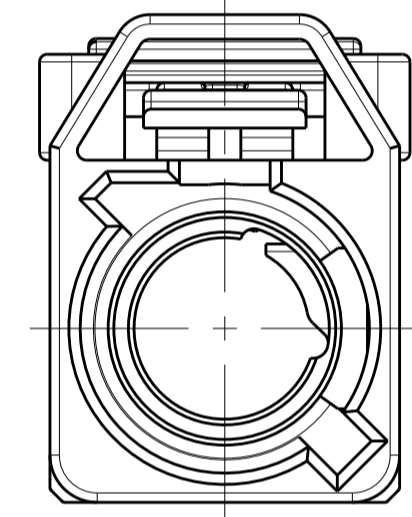
DETAIL D  
SCALE 5:1



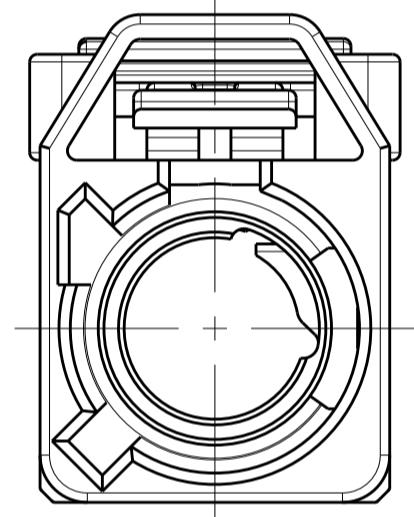
DETAIL E  
SCALE 5:1



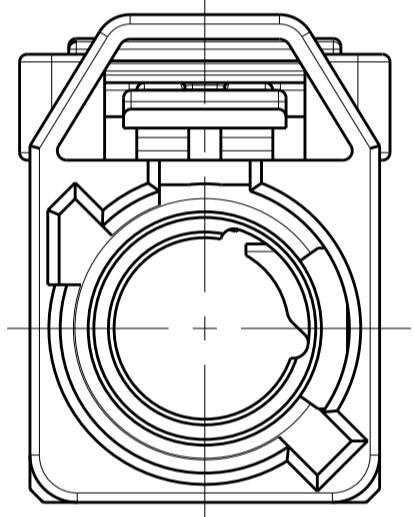
DETAIL F  
SCALE 5:1



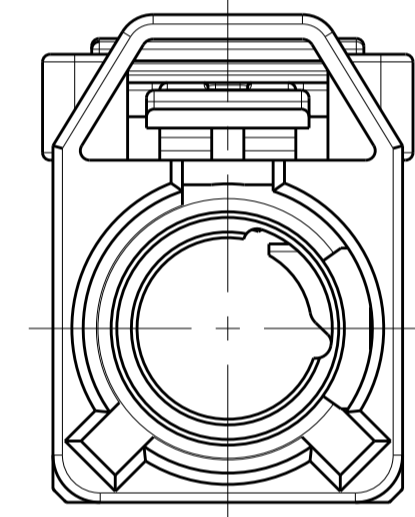
DETAIL G  
SCALE 5:1



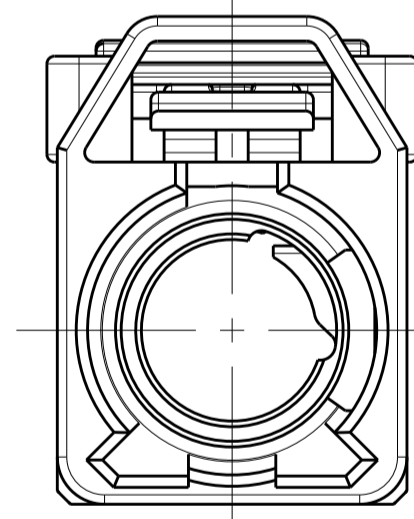
DETAIL H  
SCALE 5:1



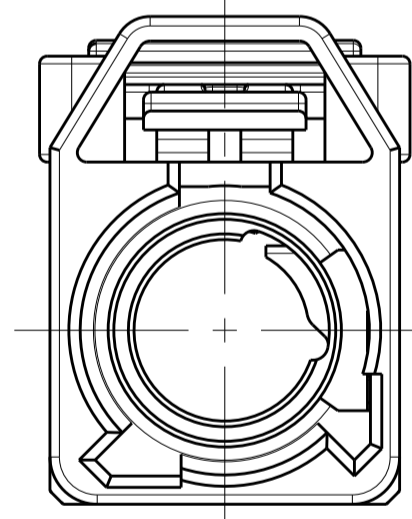
DETAIL I  
SCALE 5:1



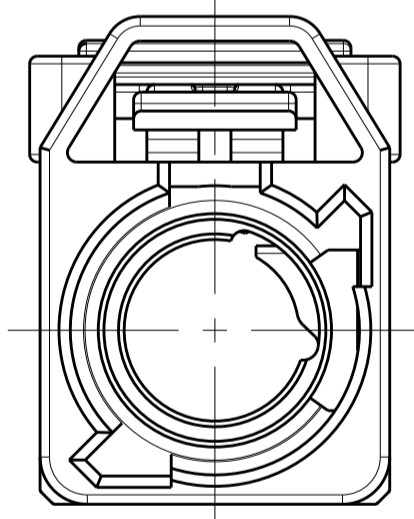
DETAIL K  
SCALE 5:1



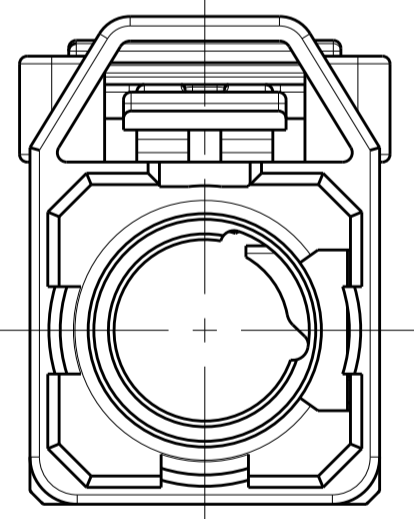
DETAIL L  
SCALE 5:1



DETAIL M  
SCALE 5:1



DETAIL N  
SCALE 5:1



DETAIL Z  
SCALE 5:1

THIS DRAWING IS A CONTROLLED DOCUMENT.		DWN L. YANG 03DEC2018	
		CHK F. PAN 03DEC2018	
		APVD J. YIN 03DEC2018	NAME FEMALE HOUSING, 1 POSITION, FAKRA
DIMENSIONS:		TOLERANCES UNLESS OTHERWISE SPECIFIED:	PRODUCT SPEC
mm	0 PLC ±	±	108-32137
	2 PLC ±	±	APPLICATION SPEC
	3 PLC ±	±	114-32145
	4 PLC ±	±	WEIGHT
	ANGLES ±	±	CUSTOMER DRAWING
MATERIAL	FINISH		SCALE 10:1 SHEET 2 OF 2 REV B