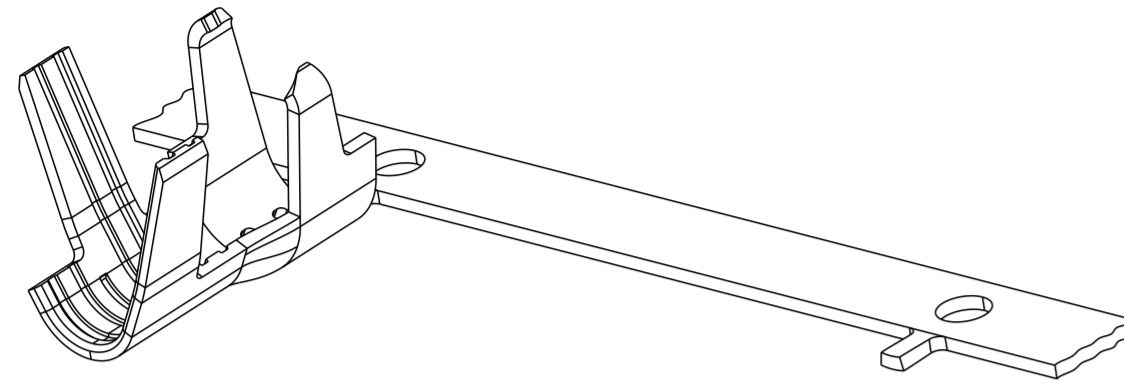
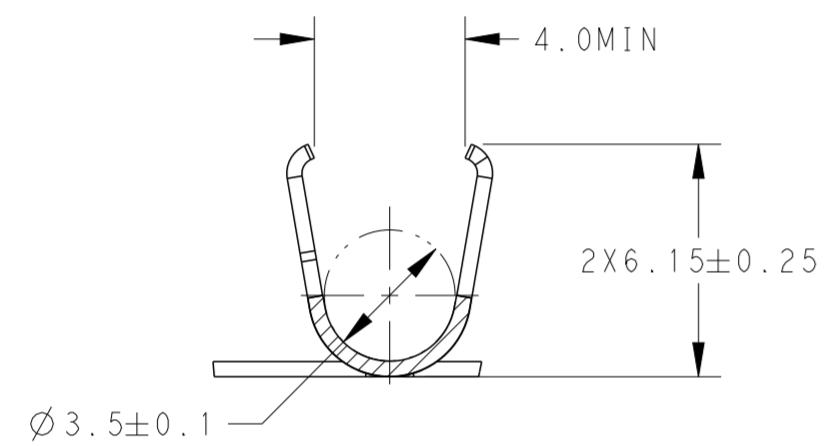
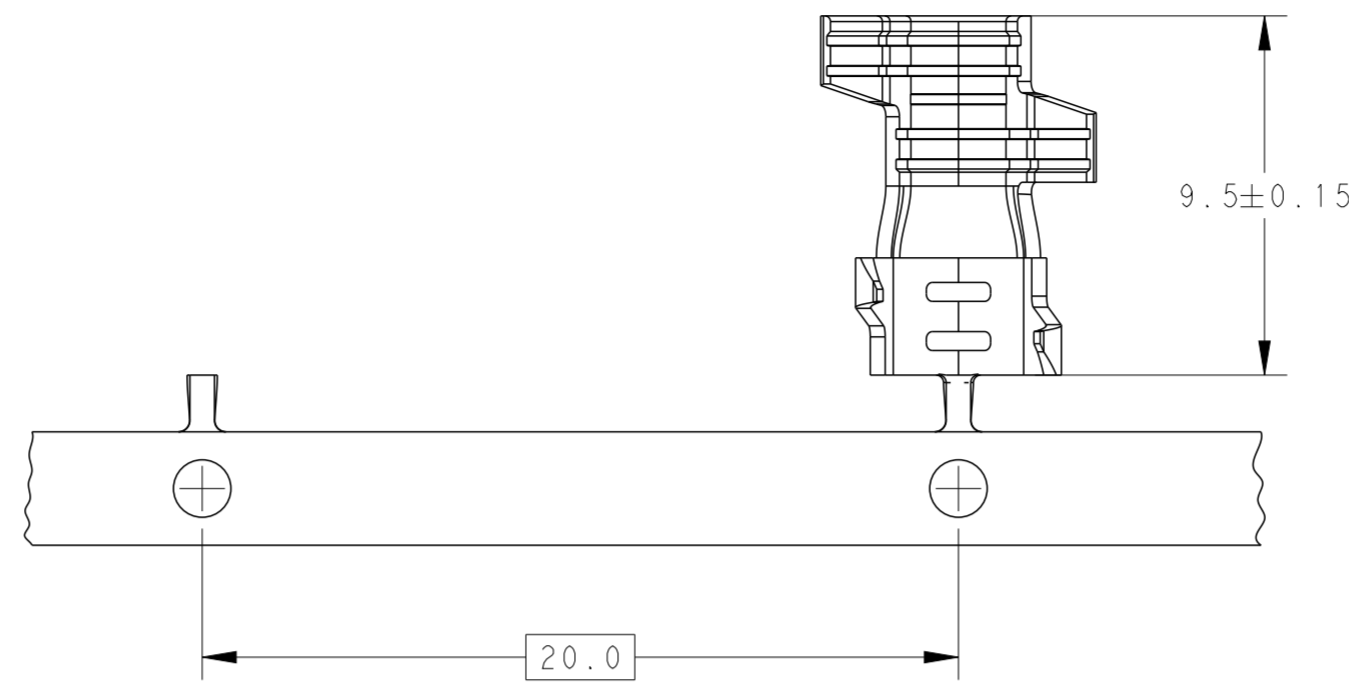


THIS DRAWING IS UNPUBLISHED. RELEASED FOR PUBLICATION 20
 © COPYRIGHT 20 BY - ALL RIGHTS RESERVED.

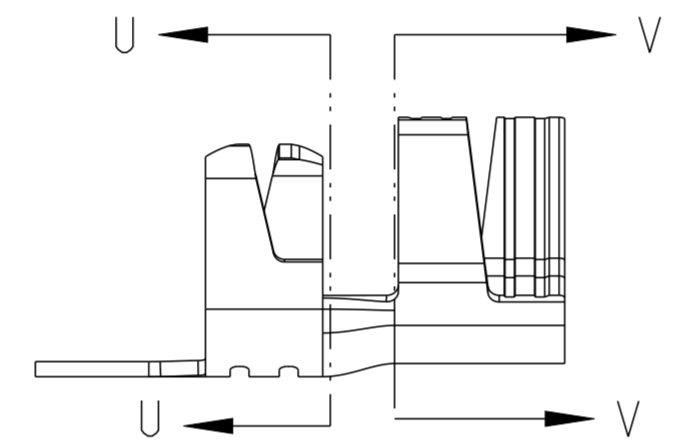
REVISIONS					
P	LTR	DESCRIPTION	DATE	DWN	APVD
	A	INITIAL RELEASED	03NOV19	L.Y	I.Y
	A1	REVISED PER ECO-20-005746	21APR20	L.Y	W.W
	A2	REVISED PER ECR-23-172351	17APR2023	H.G	C.P



ISOMETRIC VIEW OF RG174
SCALE 5:1

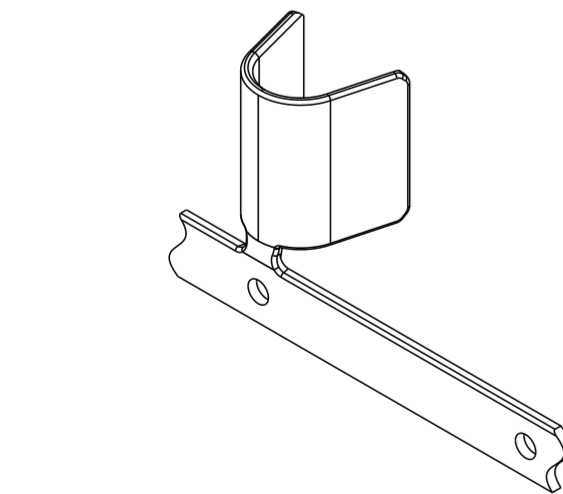
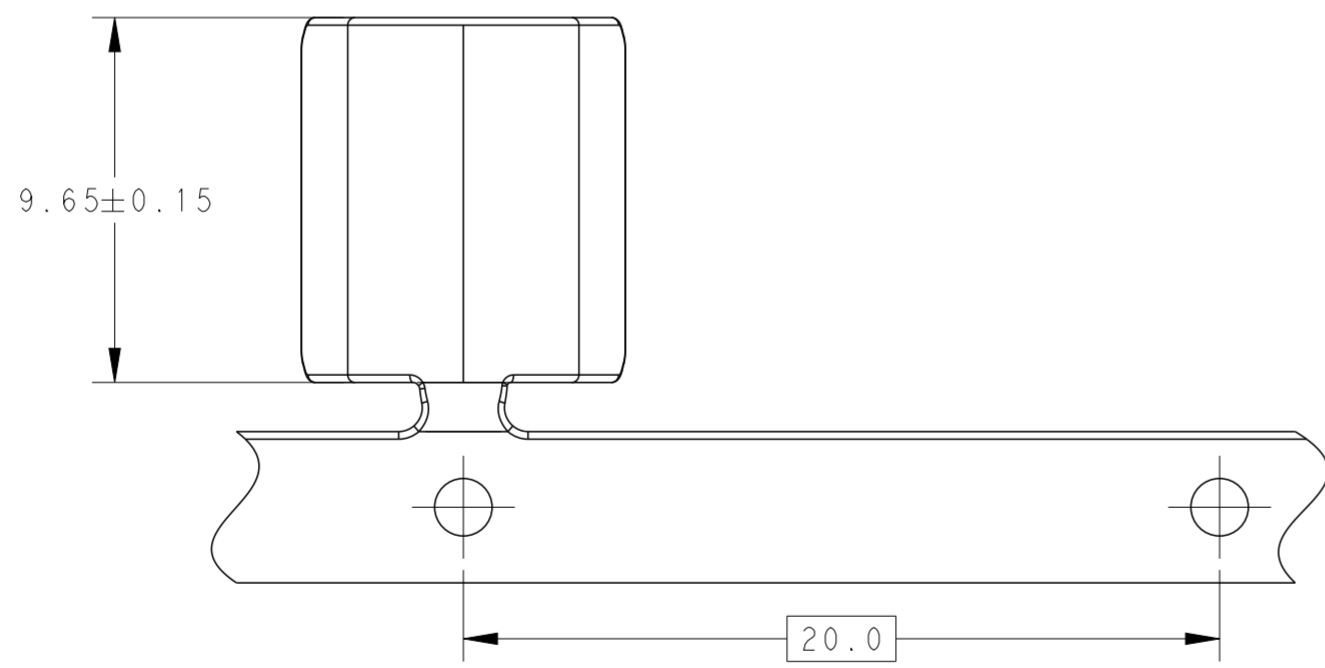


SECTION U-U

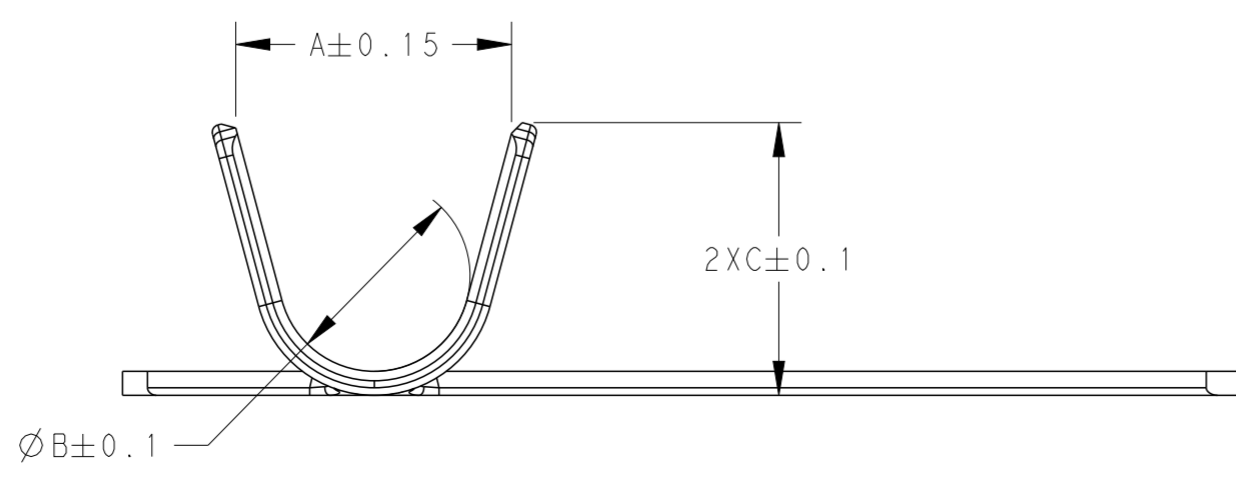


SECTION V-V

- 1 MATERIAL: COPPER ALLOY.
- 2 1.0µm MIN TIN.
- 3. PACKAGED ON REEL.



ISOMETRIC VIEW OF RG58 & RTK031
SCALE 5:2



A2	7.21	5.06	7.26	RG-58LL	2338011-4	2326889-3
	5.44	3.55	5.15	RTK-031,2DS-PPFW(TA)	2338011-5	2326889-2
	5.14	2.22	5.42	1.5CS, 1.5DS, DACAR 462, RG-174, RG-174 LL, RG-179, RG-316	2203259-2	2326889-1
	C	B	A	APPLICABLE CABLE SIZE	NA PART NUMBER	CHINA PART NUMBER

THIS DRAWING IS A CONTROLLED DOCUMENT.		DWN L YANG	03NOV2019	STE TE Connectivity
DIMENSIONS: mm		CHK F PAN	03NOV2019	
TOLERANCES UNLESS OTHERWISE SPECIFIED:		APVD I YIN	03NOV2019	
0 PLC ±0.1 1 PLC ±0.1 2 PLC ±0.05 3 PLC ± 4 PLC ± ANGLES ± FINISH		PRODUCT SPEC 108-32137	APPLICATION SPEC 114-32145	
MATERIAL	-1	WEIGHT	-	NAME OUTER FERRULE, 180 DEGREE, FAKRA
CUSTOMER DRAWING		SIZE	A2	SIZE CAGE CODE DRAWING NO RESTRICTED TO
SCALE 5:1		SHEET 1 OF 1		REV A2