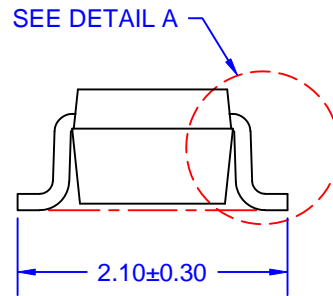
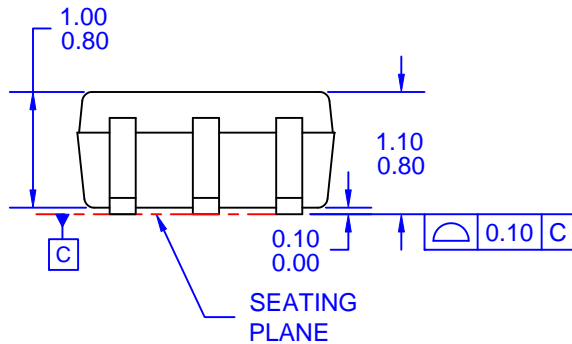
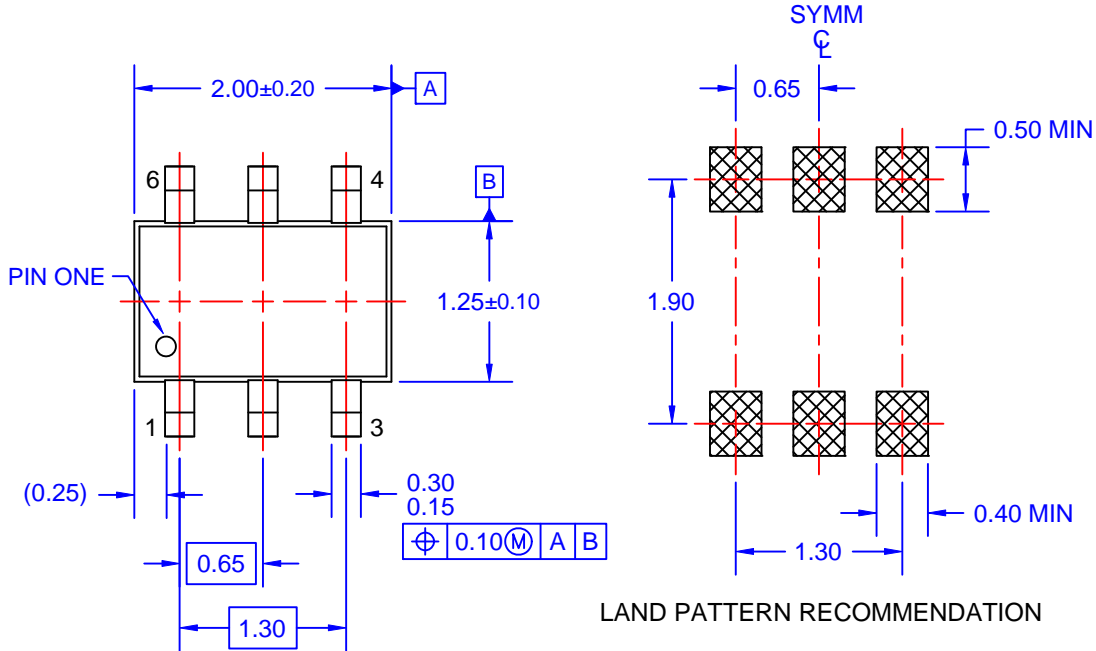


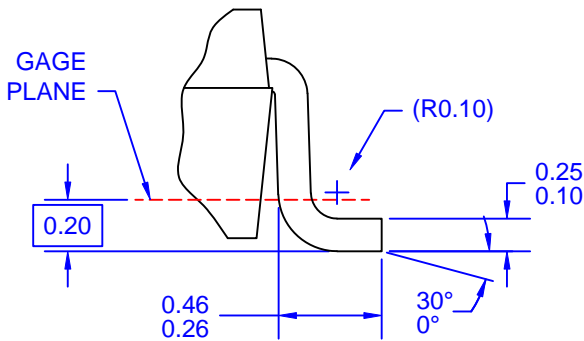
THIS DRAWING IS THE PROPERTY OF FAIRCHILD SEMICONDUCTOR CORPORATION. NO USE THEREOF SHALL BE MADE OTHER THAN AS A REFERENCE FOR PROPOSALS AS SUBMITTED TO FAIRCHILD SEMICONDUCTOR CORPORATION FOR JOBS TO BE EXECUTED IN CONFORMITY WITH SUCH PROPOSALS UNLESS THE CONSENT OF SAID FAIRCHILD SEMICONDUCTOR CORPORATION HAS PREVIOUSLY BEEN OBTAINED. NO PART OF THIS DRAWING SHALL BE COPIED OR DUPLICATED OR ITS CONTENTS DISCLOSED, THE INFORMATION CONTAINED ON THIS DRAWING IS CONFIDENTIAL AND PROPRIETARY.

REVISIONS		
LTR	DESCRIPTION	DATE
A	RELEASE TO DOCUMENT CONTROL	
B	REVISE AS PER EIAJ	JUL 21, 1998
C	FSC LAND PATTERN REC.	AUG 18, 1998
D	REDRAW AS PER STD DW TEMPLATE; ADD MIN FOOT LENGTH DIM; CHG DIM STYLE FR DEVIATION TO LIMITS; REARRANGE DWG TITLE; ADD DWG NUMBER & REV. AT LOWER LEFT CORNER OF TEMPLATE	AUG 04, 1999
E	CHG LD WIDTH DIM FR 2.25 ± 0.25 TO 2.10 ± 0.30 ; LD THICK FR 0.80 ± 0.10 TO 1.10 ± 0.10 ; LD SPREAD FR 2.10 ± 0.30 TO 2.10 ± 0.30 ; FT LENGTH FR 0.25 ± 0.10 TO 0.25 ± 0.10 ; REM LD DIM (0.43)	17 JAN 2007
F	ADD PIN ONE INDICATOR; CHG DWG TEMPLATE & FORMAT TO STANDARD.	14 JUL 2009



NOTES: UNLESS OTHERWISE SPECIFIED

- A) THIS PACKAGE CONFORMS TO EIAJ SC-88, 1996.
- B) ALL DIMENSIONS ARE IN MILLIMETERS.
- C) DIMENSIONS DO NOT INCLUDE BURRS OR MOLD FLASH.
- D) DRAWING FILENAME: MKT-MAA06AREV6



DETAIL A
SCALE: 60X

APPROVALS	DATE	FAIRCHILD SEMICONDUCTOR™			
DRAWN: J.J. COMPARATIVO JR.	14JUL2009	6LD, SC-70, EIAJ SC-88, 1.25MM WIDE			
CHECKED: H. ALLEN					
APPROVED: M.R. GESTOLE					
C.N. TANGPUZ		SCALE 1:1	SIZE N/A	DRAWING NUMBER MKT-MAA06A	REV 6
PROJECTION		FORMERLY: N/A	SHEET: 1 OF 1		