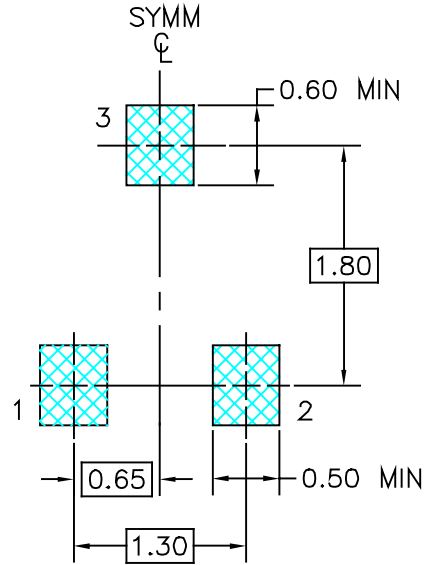
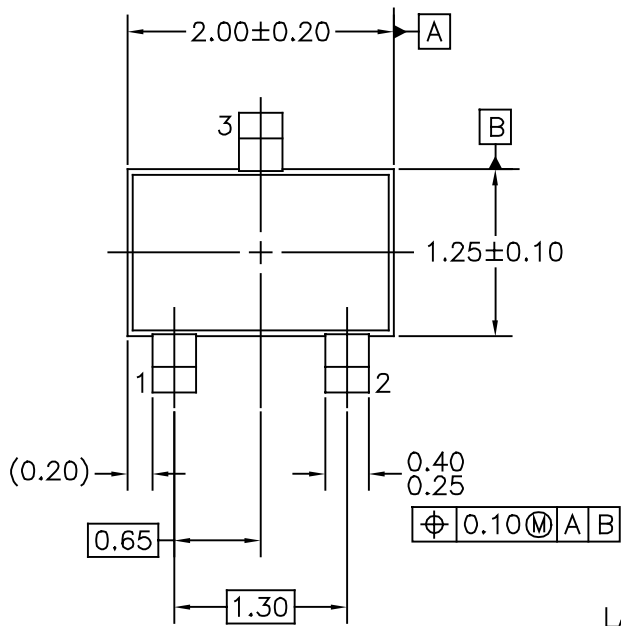
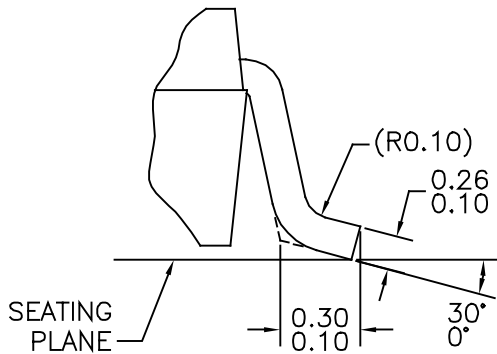
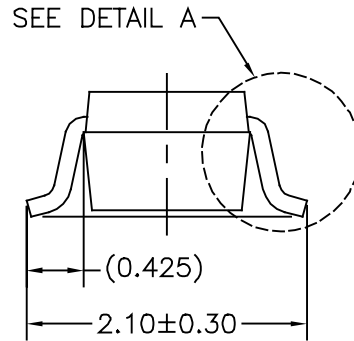
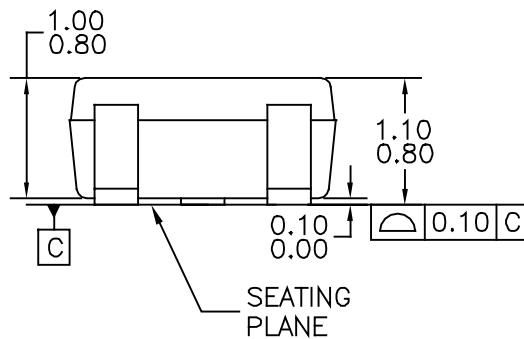


THIS DRAWING IS THE PROPERTY OF FAIRCHILD SEMICONDUCTOR CORPORATION. NO USE, REPRODUCTION, OR DISSEMINATION OF THIS DRAWING IS PERMITTED WITHOUT THE WRITTEN PERMISSION OF FAIRCHILD SEMICONDUCTOR CORPORATION. ANY UNAUTHORIZED REPRODUCTION OR DISSEMINATION OF THIS DRAWING IS PROHIBITED AND WILL BE PROSECUTED TO THE FULL EXTENT OF THE LAW. THE INFORMATION CONTAINED ON THIS DRAWING IS CONFIDENTIAL AND PROPRIETARY.

REVISIONS			
LTR	DESCRIPTION	E.O.N.	DATE
A	RELEASE TO DOCUMENT CONTROL	GB/028/02	22JAN2002
			BY/APPD RCM



LAND PATTERN RECOMMENDATION



DETAIL A
 SCALE: 2X

NOTES: UNLESS OTHERWISE SPECIFIED

- A) THIS PACKAGE CONFORMS TO EIAJ SC-70.
- B) ALL DIMENSIONS ARE IN MILLIMETERS.
- C) DIMENSIONS DO NOT INCLUDE BURRS OR MOLD FLASH.

MAA03AREVA

APPROVALS	DATE	FAIRCHILD SEMICONDUCTOR™	
DRAWN: J. GOMEZ	8JAN2002	CEBU PHILIPPINES	
CHECKED: R. MANABIT			
APPROVED: M. GESTOLE		3LD, SC70, EIAJ SC-70, 1.25mm WIDE	
G.S. BAJE		SCALE 1:1	REV A
PROJECTION FIRST ANGLE		FORMERLY: N/A	SHEET : 1 OF 1