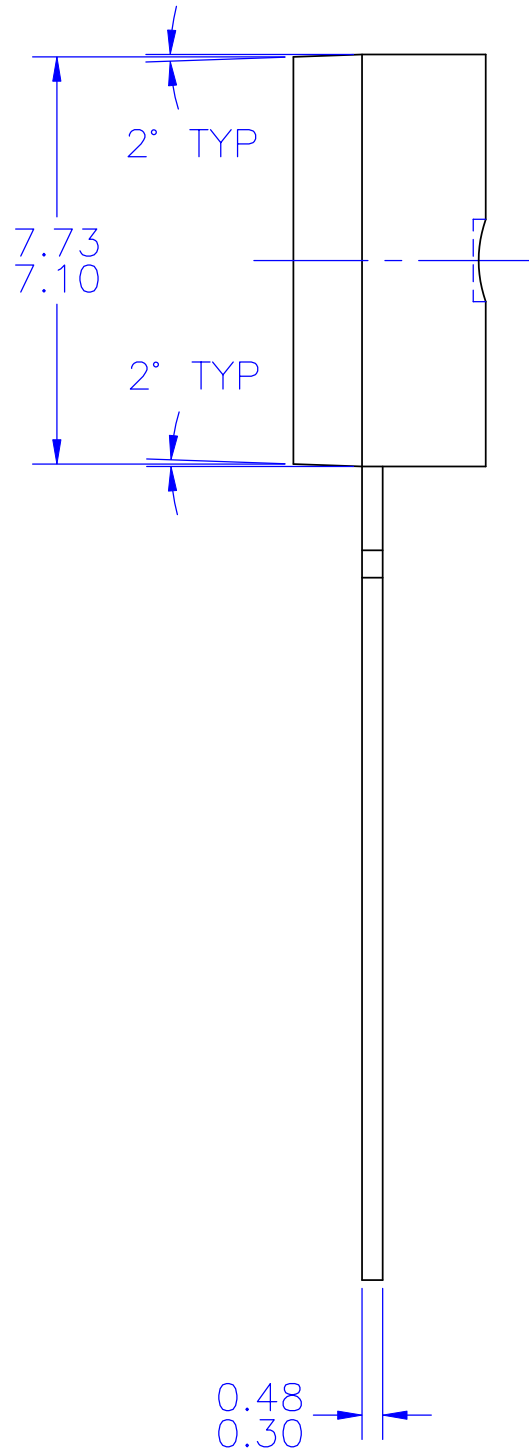
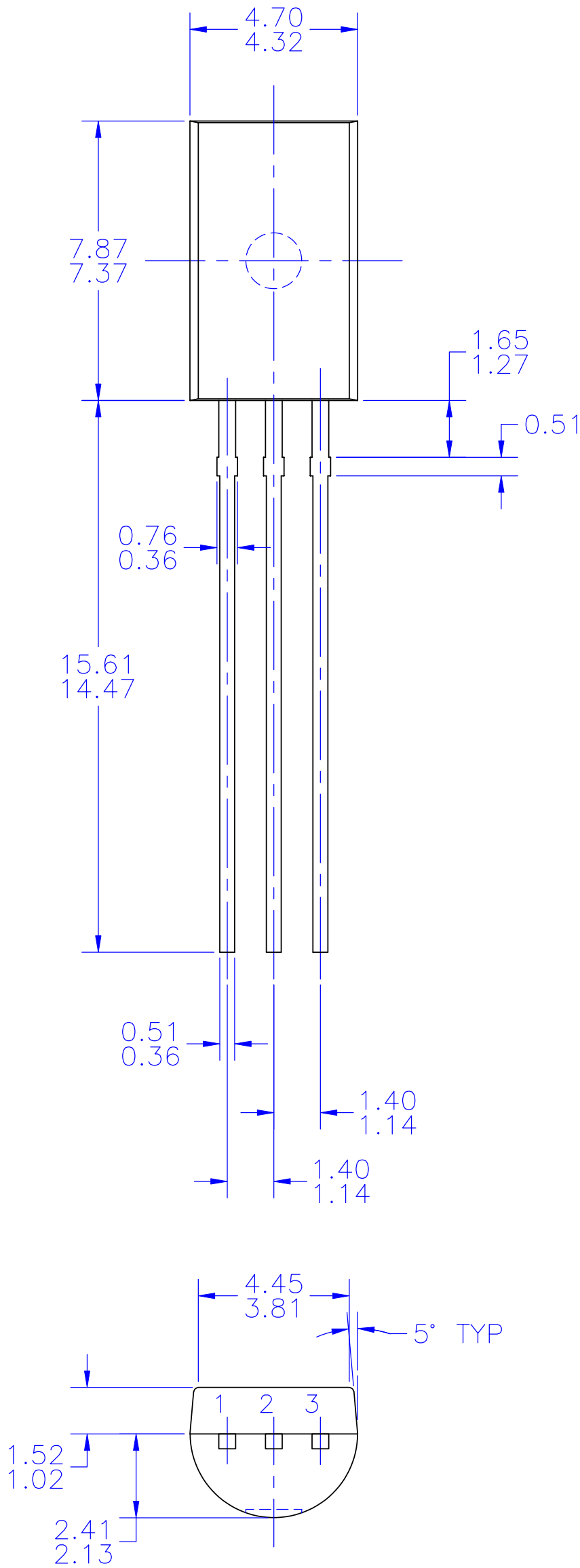


THIS DRAWING IS THE PROPERTY OF FAIRCHILD SEMICONDUCTOR CORPORATION. NO USE THEREOF SHALL BE MADE OTHER THAN AS A REFERENCE FOR PROPOSALS AS SUBMITTED TO FAIRCHILD SEMICONDUCTOR CORPORATION FOR JOBS TO BE EXECUTED IN CONFORMITY WITH SUCH PROPOSALS UNLESS THE CONSENT OF SAID FAIRCHILD SEMICONDUCTOR CORPORATION HAS PREVIOUSLY BEEN OBTAINED. NO PART OF THIS DRAWING SHALL BE COPIED OR DUPLICATED OR ITS CONTENTS DISCLOSED. THE INFORMATION CONTAINED ON THIS DRAWING IS CONFIDENTIAL AND PROPRIETARY.

| REVISIONS | | | | |
|-----------|--|-----------|-----------|----------|
| LTR | DESCRIPTION | E.C.N. | DATE | BY/APP'D |
| A | RELEASE TO DOCUMENT CONTROL | 11388 | 12/07/95 | RP |
| 2 | RDRW AS PER STD DWG TEMPLATE. CHG DIM REF FR DUAL TO SINGLE (MM). ADD "(MARKETING OUTLINE)" TO DWG TITLE; ADD NOTES. | CB/067/07 | 16FEB2007 | BMR |



| | | |
|---|----|----|
| Z | 99 | 95 |
| 1 | E | E |
| 2 | B | C |
| 3 | C | B |

TO-226 (95,99)

NOTE: UNLESS OTHERWISE SPECIFIED

- A) ALL DIMENSIONS ARE IN MILLIMETERS.
- B) PACKAGE STANDARD REFERENCE: JEDEC TO-226, ISSUE G, DATED MAY 1983

RC03EREV2

| APPROVALS | DATE | FAIRCHILD SEMICONDUCTOR™ | | CEBU PHILIPPINES |
|---------------------------|-----------|---|----------------|-----------------------------|
| DRAWN: J.P. GOMEZ | 20FEB2007 | TO-226 (99,95) MOLDED, 3 LEAD (MARKETING OUTLINE) | | REV 2 |
| CHECKED: B.M. RULONA | | | | |
| APPROVED: M.R. GESTOLE | | | | |
| G.S. BAJE | | SCALE 8:1 | SIZE A3 | DRAWING NUMBER MKT-RC03E |
| | | FORMERLY: N/A | SHEET : 1 OF 1 | |