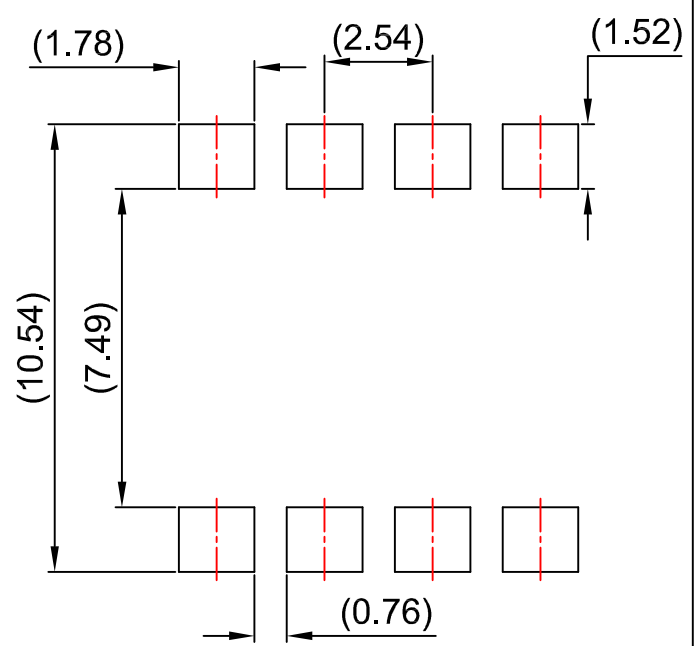
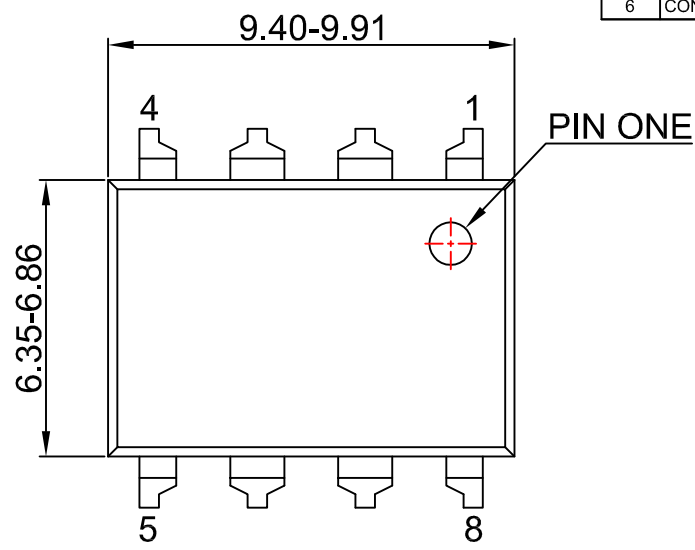
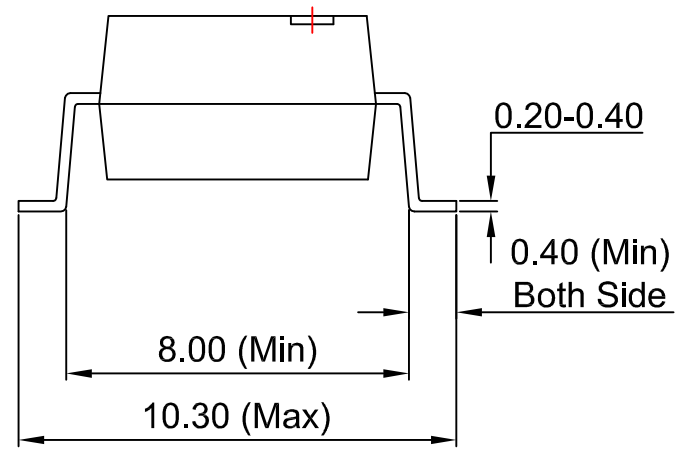
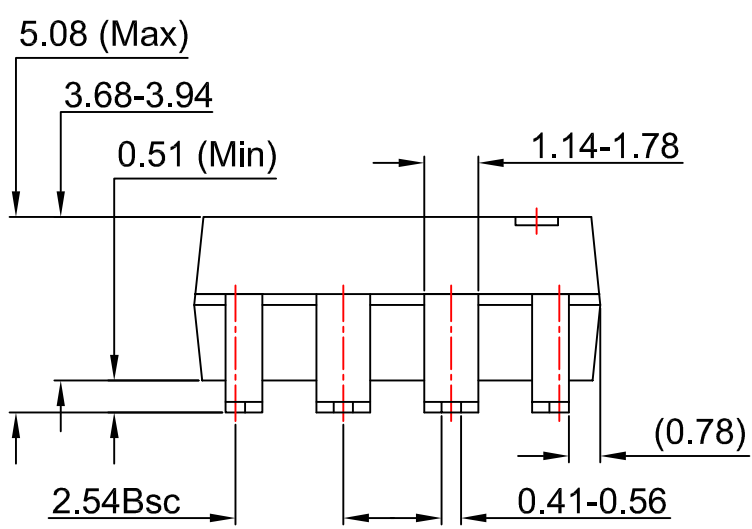


REVISIONS			
Ltr	Description	Date	DRAWN/SITE
0	ADD DWG PER PER ECN K-11643	06-25-98	NORLIZA
1	UPDATE DWGS PER ECN K-11799	10-30-98	NORLIZA
2	UPDATE NEW QT LOGO PER ECN K-12588	06-21-00	HS GOH
3	ADD NEW DWG.-18 PER ECN K-13620	06-16-03	CK THANG
4	UPDATE DWG. PER ECN K-13952	03-31-04	CK ANG
5	UPDATE SHEET NO. PER ECN#: P-00591	10-APR-08	J.ALABIN
6	CONVERT ESP-3777-16 TO FSC STANDARD DWG.	12-08-08	WEE LING



LAND PATTERN RECOMMENDATION



NOTES:

- A) NO STANDARD APPLIES TO THIS PACKAGE
- B) ALL DIMENSIONS ARE IN MILLIMETERS.
- C) DIMENSIONS ARE EXCLUSIVE OF BURRS, MOLD FLASH, AND TIE BAR EXTRUSION
- D) DRAWING FILENAME AND REVISION: MKT-N08HREV6.

APPROVALS		DATE				
DRAWN	WEE LING	12 Aug 08				
DFTG. CHK.	JING ALABIN	12 Aug 08				
ENGR. CHK.	JING ALABIN	12 Aug 08				
PROJECTION			SCALE	SIZE	DRAWING NUMBER	REV
			N/A		MKT-N08H	6
			DO NOT SCALE DRAWING		SHEET 1 of 1	

8LD,MDIP,OPTO, BLACK AND WHITE, SURFACE MOUNT FORM