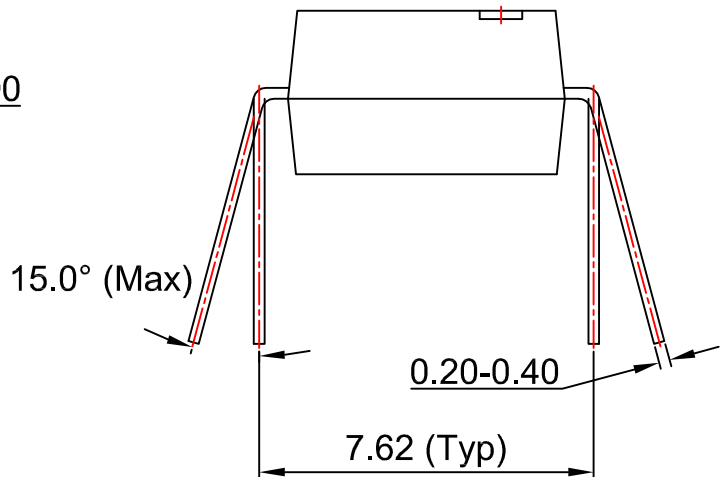
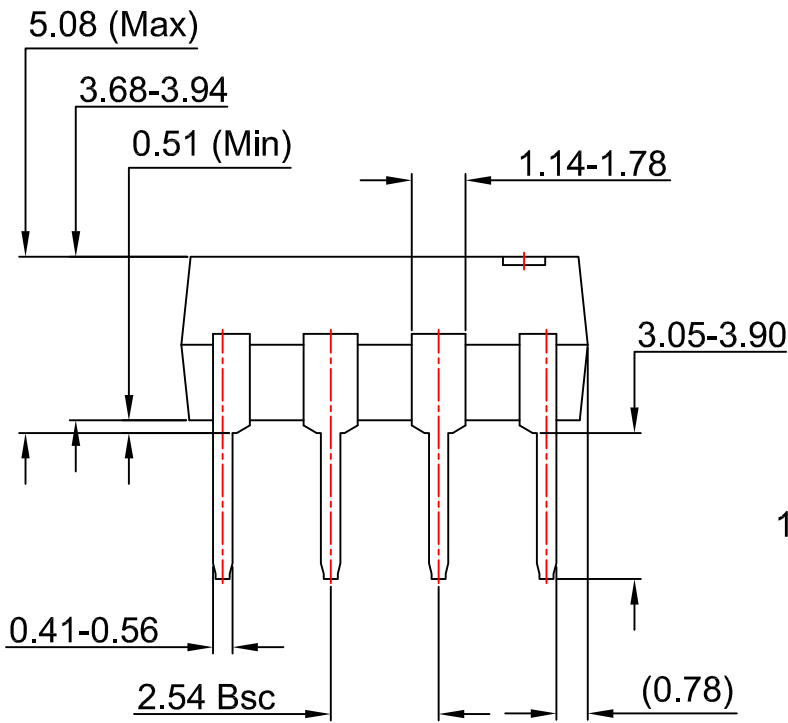
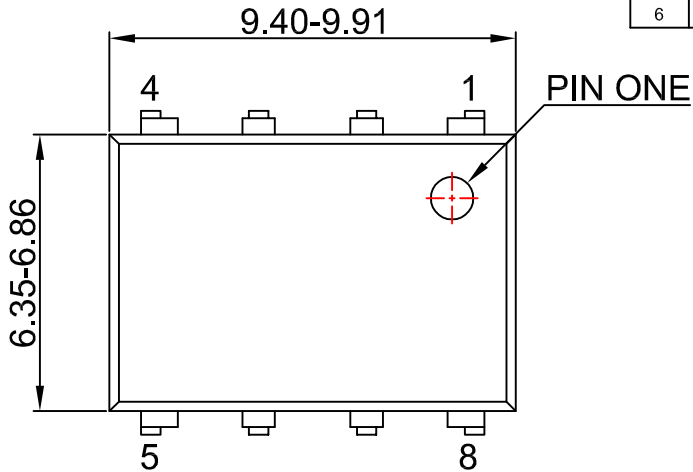


REVISIONS			
Ltr	Description	Date	DRAWN/SITE
0	ADD DWG PER PER ECN K-11643	06-25-98	NORLIZA
1	UPDATE DWGS PER ECN K-11799	10-30-98	NORLIZA
2	UPDATE NEW QT LOGO PER ECN K-12588	06-21-00	HS GOH
3	ADD NEW DWG.-18 PER ECN K-13620	06-16-03	CK THANG
4	UPDATE DWG. PER ECN K-13952	03-31-04	CK ANG
5	UPDATE SHEET NO. PER ECN#: P-00591	10-APR-08	J.ALABIN
6	CONVERT ESP-3777-15 TO FSC STANDARD DWG.	12-08-08	WEE LING



NOTES:

- A) NO STANDARD APPLIES TO THIS PACKAGE
- B) ALL DIMENSIONS ARE IN MILLIMETERS.
- C) DIMENSIONS ARE EXCLUSIVE OF BURRS, MOLD FLASH, AND TIE BAR EXTRUSION
- D) DRAWING FILENAME AND REVSION: MKT-N08GREV6.

APPROVALS	DATE				
DRAWN: WEE LING	12 Aug 08		8LD,MDIP, .300" WIDE,OPTO BLACK AND WHITE		
DFTG. CHK: JING ALABIN	12 Aug 08		SCALE	SIZE	DRAWING NUMBER
ENGR. CHK: JING ALABIN	12 Aug 08		N/A		MKT-N08G
		DO NOT SCALE DRAWING	SHEET	1 of 1	REV 6