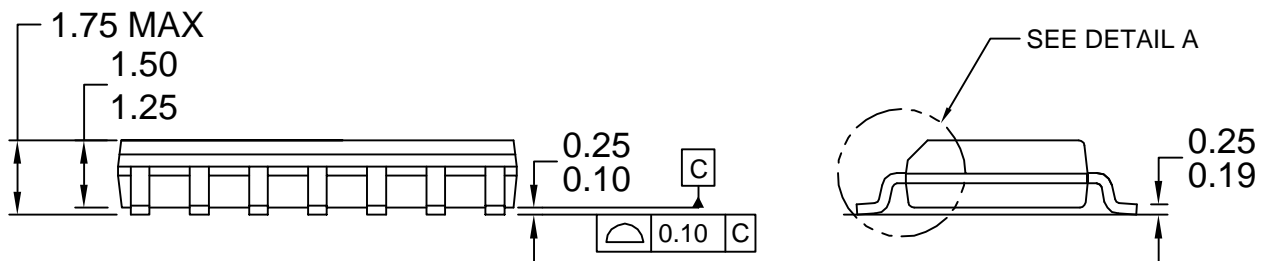
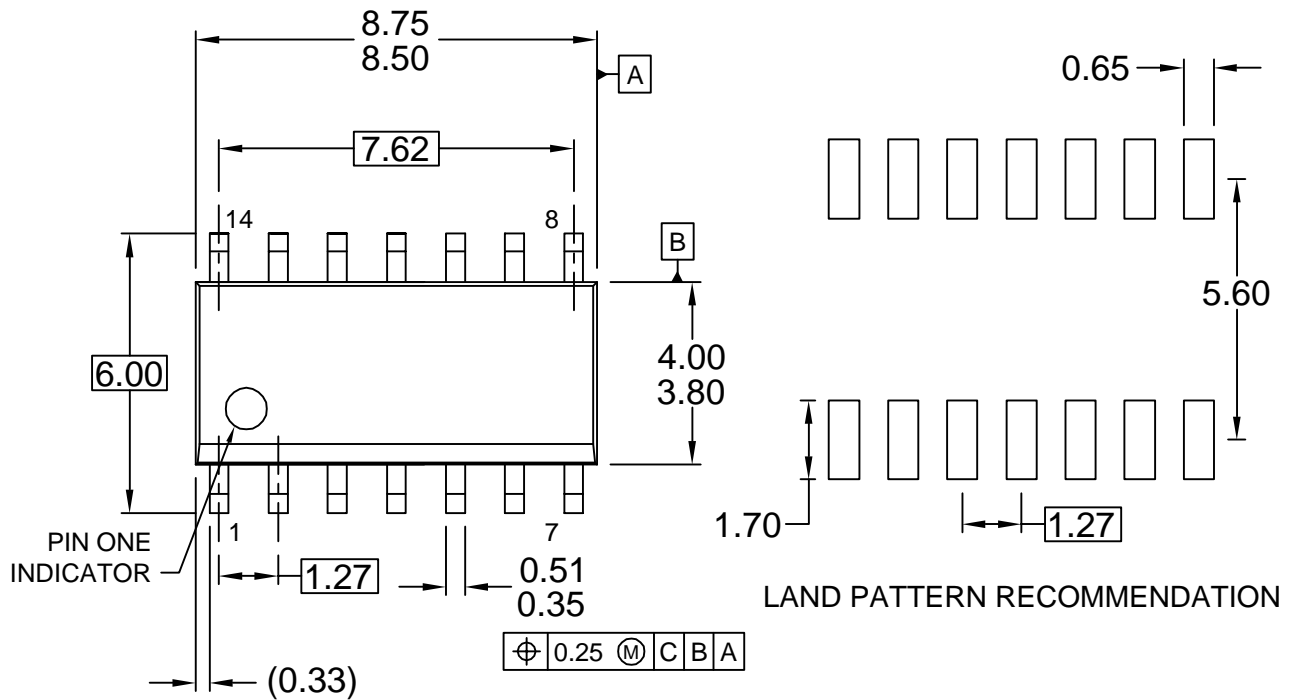
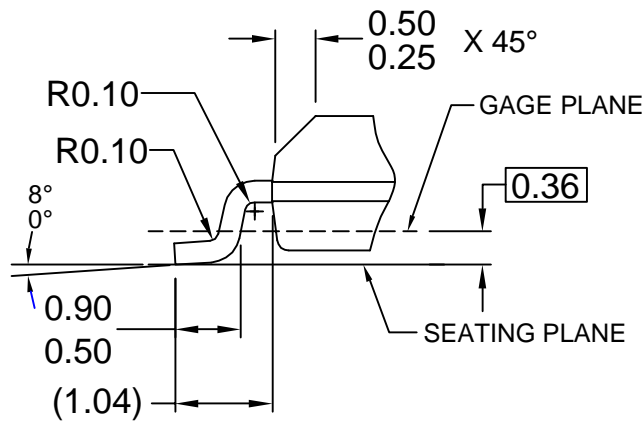


REVISIONS			
LTR	DESCRIPTION	E.C.N.	DATE
J	CHANGE LEAD TIP FROM TAPER TO SQUARE.	11247	JAN.1996
K	REDRAW AS PER NEW DWG TEMPLATE; CHG DUAL DIM INCH(MM) TO SINGLE DIM MM; CHG LEADSPREAD FR LIMITS TO BASIC; CHG PKG FOOT LENGTH DIM FR LIMITS TO SYM TOL; ADD TOL ON PKG THICK DIM; CHG PROFILE TOL FROM LIMITS TO DEVIATION; ADD GAGE PLANE DIM; ADD LAND PATTERN DIM.	CB/063/99	OCT.1999
L	UPDATE LAND PATTERN DIMS.		11-6-2004
13	CHANGED BODY LENGTH & LEADSPREAD	ecr-mkt-m14ar13	31 JULY 07



NOTES: UNLESS OTHERWISE SPECIFIED

- A) THIS PACKAGE CONFORMS TO JEDEC MS-012, VARIATION AB, ISSUE C,
- B) ALL DIMENSIONS ARE IN MILLIMETERS.
- C) DIMENSIONS DO NOT INCLUDE MOLD FLASH OR BURRS.
- D) LANDPATTERN STANDARD: SOIC127P600X145-14M
- E) DRAWING CONFORMS TO ASME Y14.5M-1994
- F) DRAWING FILE NAME: M14AREV13



DETAIL A
SCALE: 20:1

APPROVALS	DATE	
DRAWN: L.HUEBENER	31 JULY 07	
CHECKED: h.allen	2/aug/2007	14LD, SOIC, JEDEC MS-012 .150" NARROW BODY
APPROVED:		
		SCALE: 1:1 SIZE: NA DRAWING NUMBER: MKT-M14A REV: 13
FORMERLY: N/A		SHEET: 1 OF 1