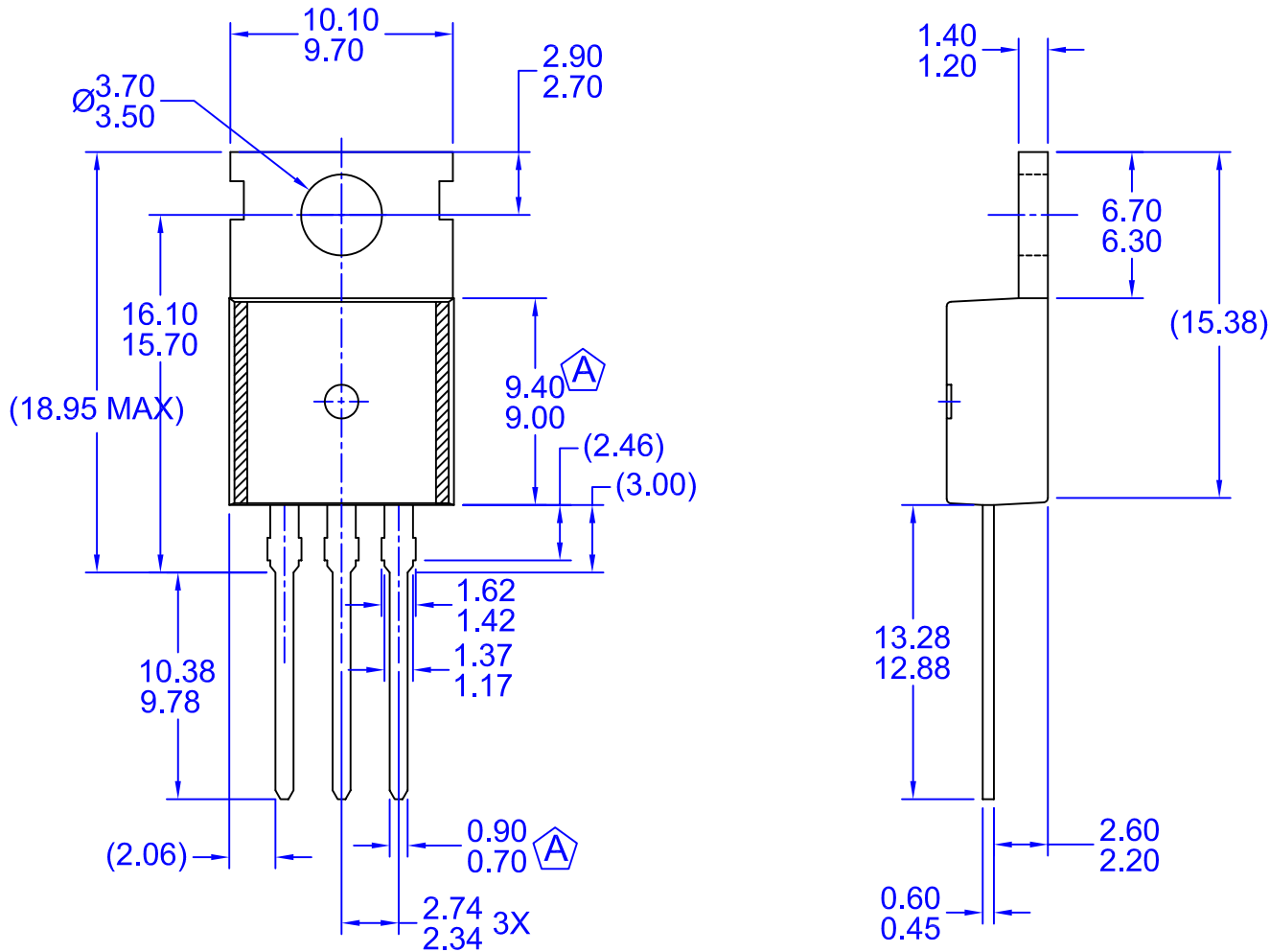
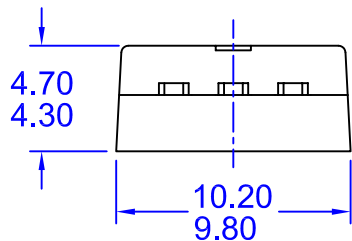



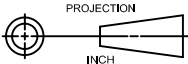
REVISIONS			
NBR	DESCRIPTION	DATE	BY/SITE
1	RECREATED DRAWING	6 MAY 09	H.ALLEN/FSME



NOTES:

- Ⓐ CONFORMS TO JEDEC TO-220 VARIATION AB EXCEPT WHERE NOTED
- B) ALL DIMENSIONS ARE IN MILLIMETERS.
- C) DIMENSIONS ARE EXCLUSIVE OF BURRS, MOLD FLASH, AND TIE BAR EXTRUSIONS.
- D) DRAWING FILE/REVISION: MKT-TO220Y03REV1



APPROVALS		DATE		 TO220, MOLDED. 3LD, NON-JEDEC VARIATION AB	
DRAWN: H.ALLEN		6 MAY 09			
CHECKED: JC LEE/BUCHÉON		6 MAY 09			
APPROVED:					
 <small>INCH (MM)</small>		SCALE 1:1	SIZE N/A	DRAWING NUMBER MKT-TO220Y03	REV 1
		FORMERLY: N/A		SHEET: 1 OF 1	