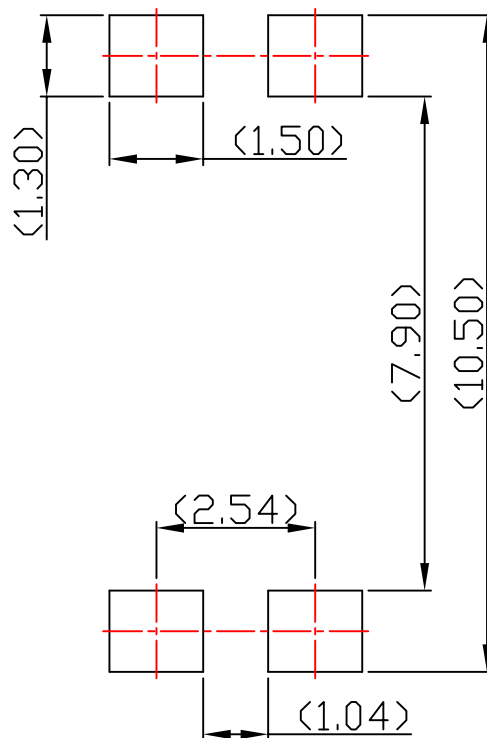
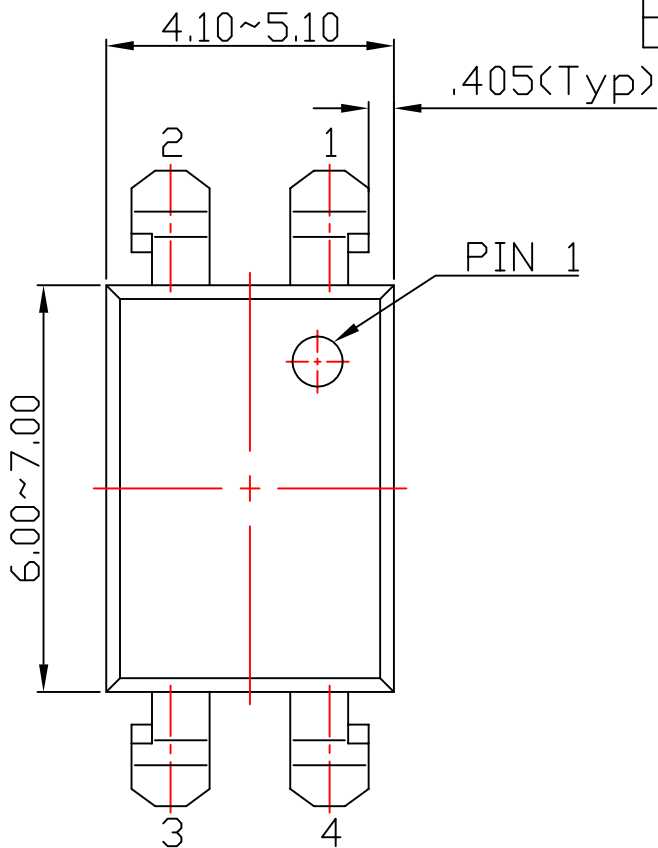
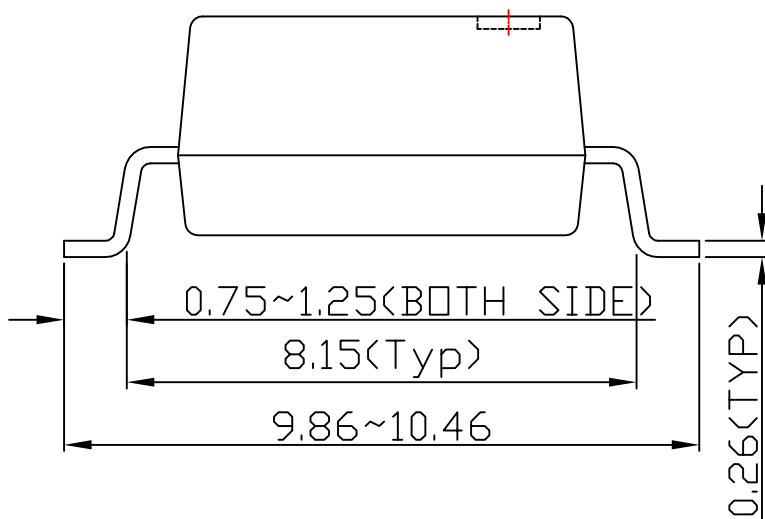
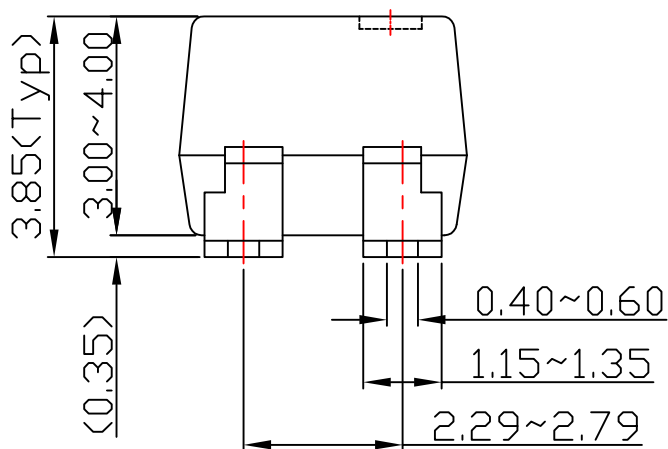


REVISIONS			
Ltr	Description	Date	DRAWN/SITE
1	FSC MKT OUTLINE DRAWING FORMAT ORIGINAL RELEASED	14-Nov-08	WEE LING



LAND PATTERN RECOMMENDATION



NOTES:

- A) NO STANDARD APPLIES TO THIS PACKAGE.
- B) ALL DIMENSIONS ARE IN MILLIMETERS.
- C) DIMENSIONS ARE EXCLUSIVE OF BURRS, MOLD FLASH, AND TIE BAR EXTRUSION
- D) DRAWING FILENAME AND REVSION: MKT-N04C.

APPROVALS	DATE	FAIRCHILD SEMICONDUCTOR™			
DRAWN WEE LING	14-Nov-08				
DFTG. CHK. WEE LING	14-Nov-08	4LD,MDIP,.300" WIDE,SURFACE MOUNT FORM			
ENGR. CHK. JING ALABIN	14-Nov-08				
		SCALE N/A	SIZE	DRAWING NUMBER MKT-N04C	REV 1
DO NOT SCALE DRAWING		SHEET 1 of 1			