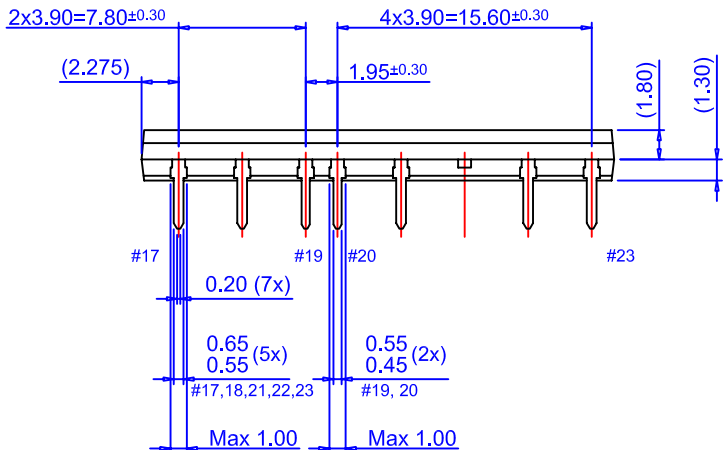
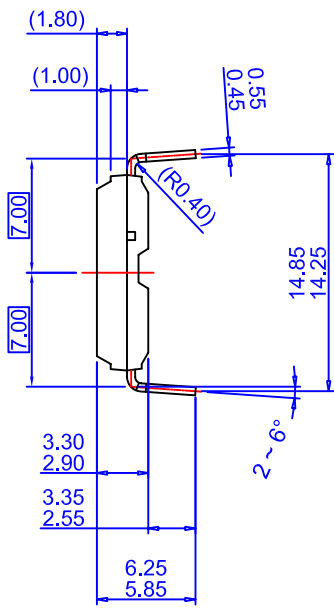
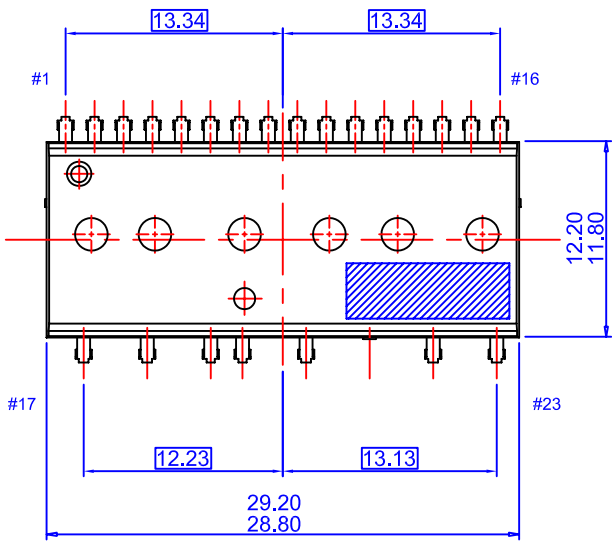
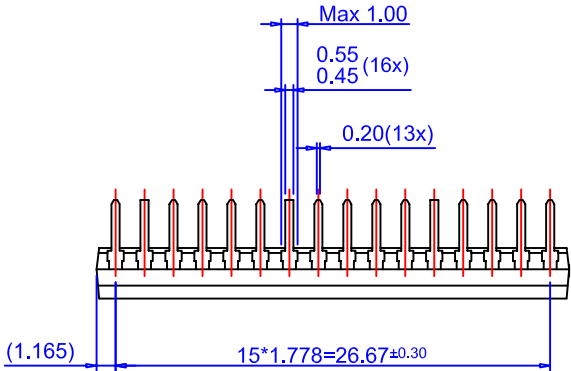


THIS DRAWING IS THE PROPERTY OF FAIRCHILD SEMICONDUCTOR CORPORATION. NO USE THEREOF SHALL BE MADE OTHER THAN AS A REFERENCE FOR PROPOSALS AS SUBMITTED TO FAIRCHILD SEMICONDUCTOR CORPORATION FOR JOBS TO BE EXECUTED IN CONFORMITY WITH SUCH PROPOSALS UNLESS THE CONSENT OF SAID FAIRCHILD SEMICONDUCTOR CORPORATION HAS PREVIOUSLY BEEN OBTAINED. NO PART OF THIS DRAWING SHALL BE COPIED OR DUPLICATED OR ITS CONTENTS DISCLOSED. THE INFORMATION CONTAINED ON THIS DRAWING IS CONFIDENTIAL AND PROPRIETARY.

REVISIONS			
NBR	DESCRIPTION	DATE	BY/SITE
1	RECREATED DRAWING	14 SEP 10	KN LEE



APPROVALS	DATE				
DRAWN KN LEE	14SEP2010				
CHECKED: SW LIM					
APPROVED: JS SON					
HOWARD ALLEN		23LD, PDD STD, FULL PACK DIP TYPE			
		SCALE 1:1	SIZE NA	DRAWING NUMBER MKT-MOD23DC	REV 1
		FORMERLY: N/A	SHEET: 1 OF 1		