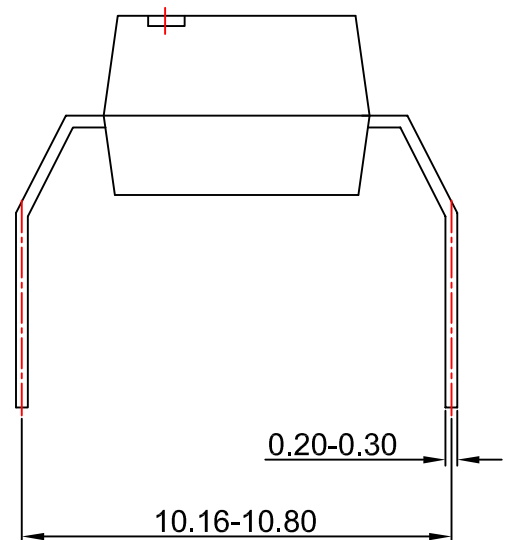
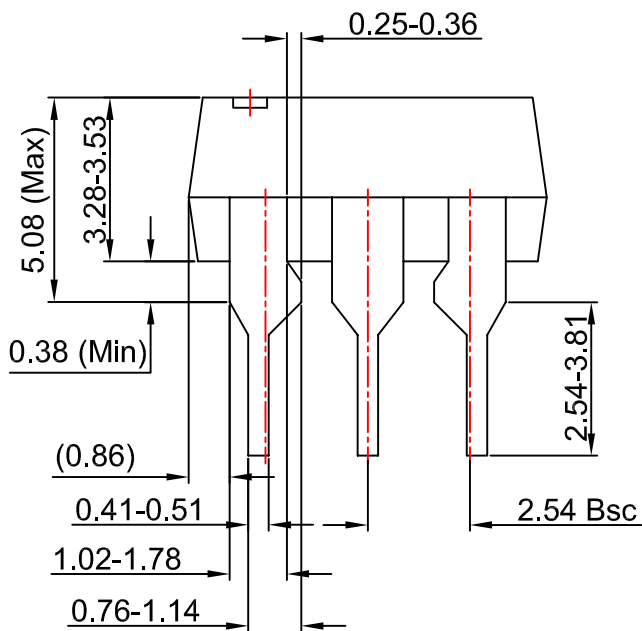
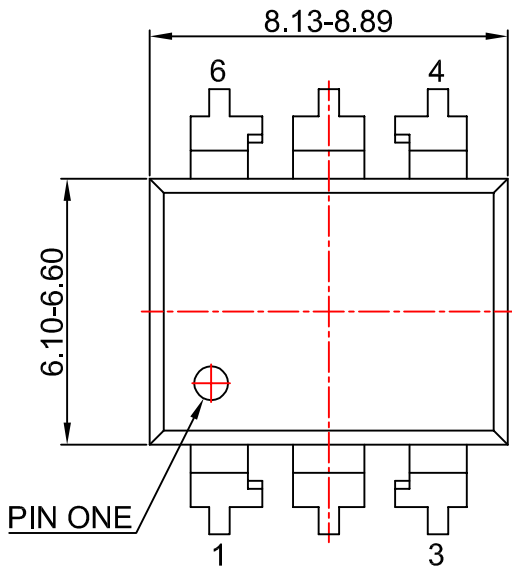


REVISIONS			
Ltr	Description	Date	DRAWN/SITE
0	RELEASED PER ECN K-12158	08-09-99	JOSEPH
1	UPDATE QT LOGO PER ECN K-12648	09-13-00	JOSEPH
2	UPDATE FAIRCHILD LOGO PER ECN K-13836	01-10-04	JAYASELAN
3	CONVERT ESP-4004-02 TO FSC STANDARD DWG.	13-08-08	WEE LING



NOTES:

- A) NO STANDARD APPLIES TO THIS PACKAGE.
- B) ALL DIMENSIONS ARE IN MILLIMETERS.
- C) DIMENSIONS ARE EXCLUSIVE OF BURRS, MOLD FLASH, AND TIE BAR EXTRUSION
- D) DRAWING FILENAME AND REVISION: MKT-N06DREV3.

APPROVALS		DATE	FAIRCHILD SEMICONDUCTOR™		
DRAWN	WEE LING	13 Aug 08	6LD,MDIP,OPTO, WHITE 0.4" LEAD SPACING		
DFTG. CHK.	JING ALABIN	13 Aug 08			
ENGR. CHK.	JING ALABIN	13 Aug 08			
		SCALE	SIZE	DRAWING NUMBER	REV
		N/A		MKT-N06D	3
DO NOT SCALE DRAWING				SHEET 1 of 1	