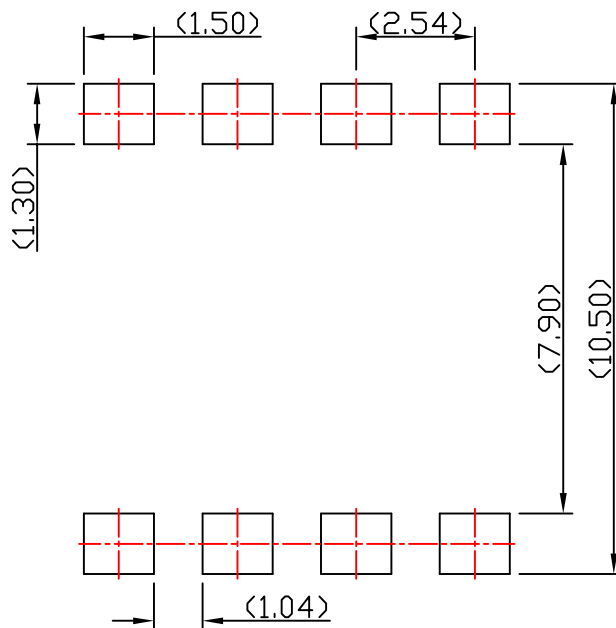
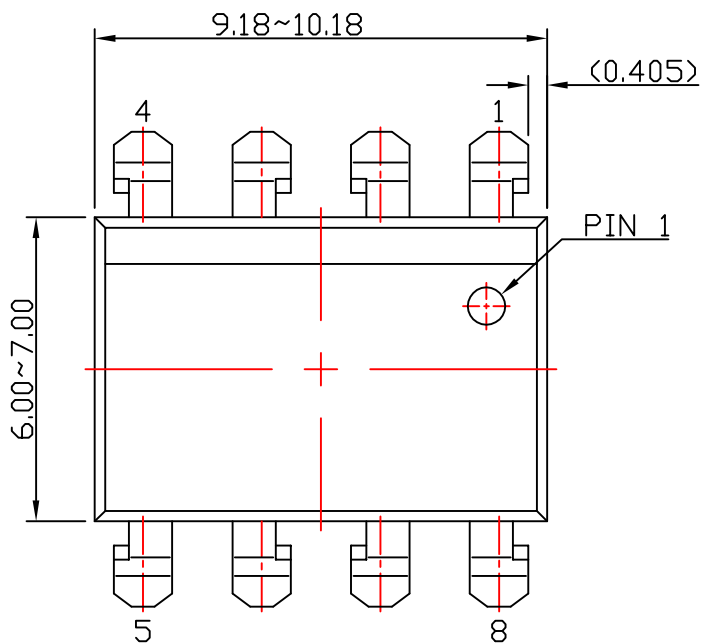
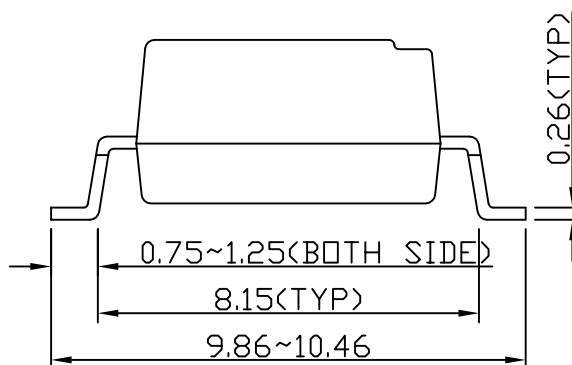
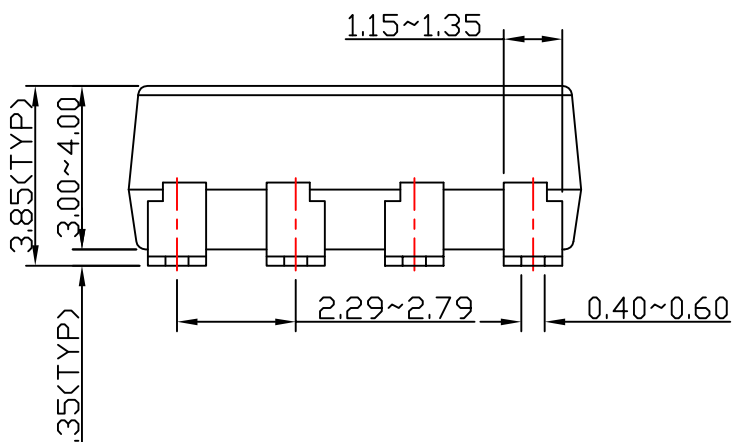


REVISIONS			
Ltr	Description	Date	DRAWN/SITE
1	FSC MKT OUTLINE DRAWING FORMAT ORIGINAL RELEASED	10-Nov-08	WEE LING



LAND PATTERN RECOMMENDATION



NOTES:

- A) NO STANDARD APPLIES TO THIS PACKAGE.
- B) ALL DIMENSIONS ARE IN MILLIMETERS.
- C) DIMENSIONS ARE EXCLUSIVE OF BURRS, MOLD FLASH, AND TIE BAR EXTRUSION
- D) DRAWING FILENAME AND REVISION: MKT-N08K.

APPROVALS	DATE	FAIRCHILD SEMICONDUCTOR™		
DRAWN WEE LING	10 Nov 08	8LD,MDIP,,300" WIDE,SURFACE MOUNT FORM		
DFTG. CHK. WEE LING	10 Nov 08			
ENGR. CHK. JING ALABIN	10 Nov 08			
		SCALE N/A	SIZE DRAWING NUMBER MKT-N08K	REV 1
		DO NOT SCALE DRAWING		SHEET 1 of 1