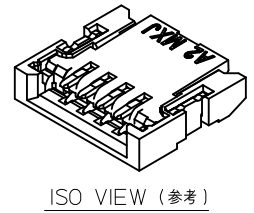
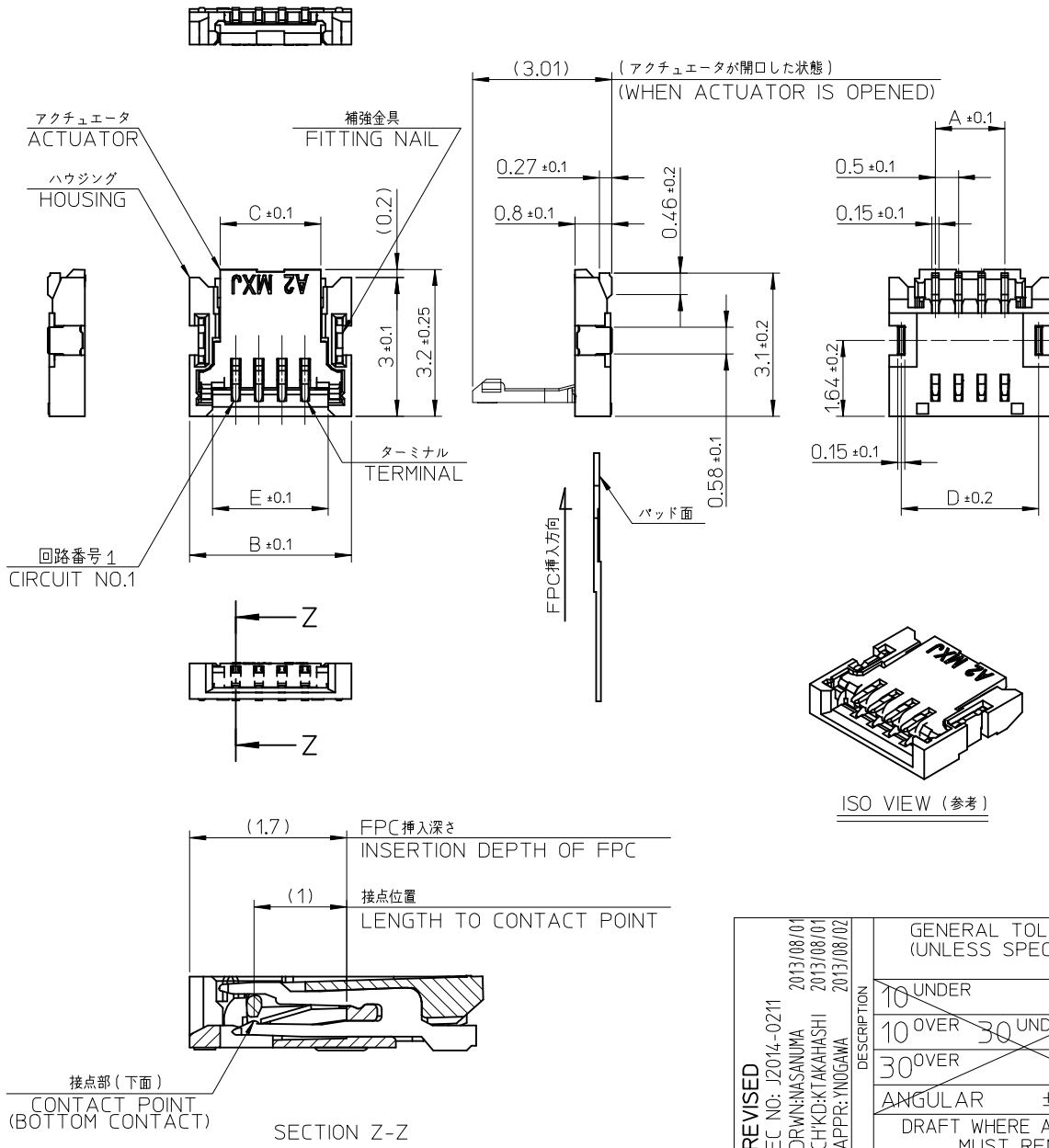


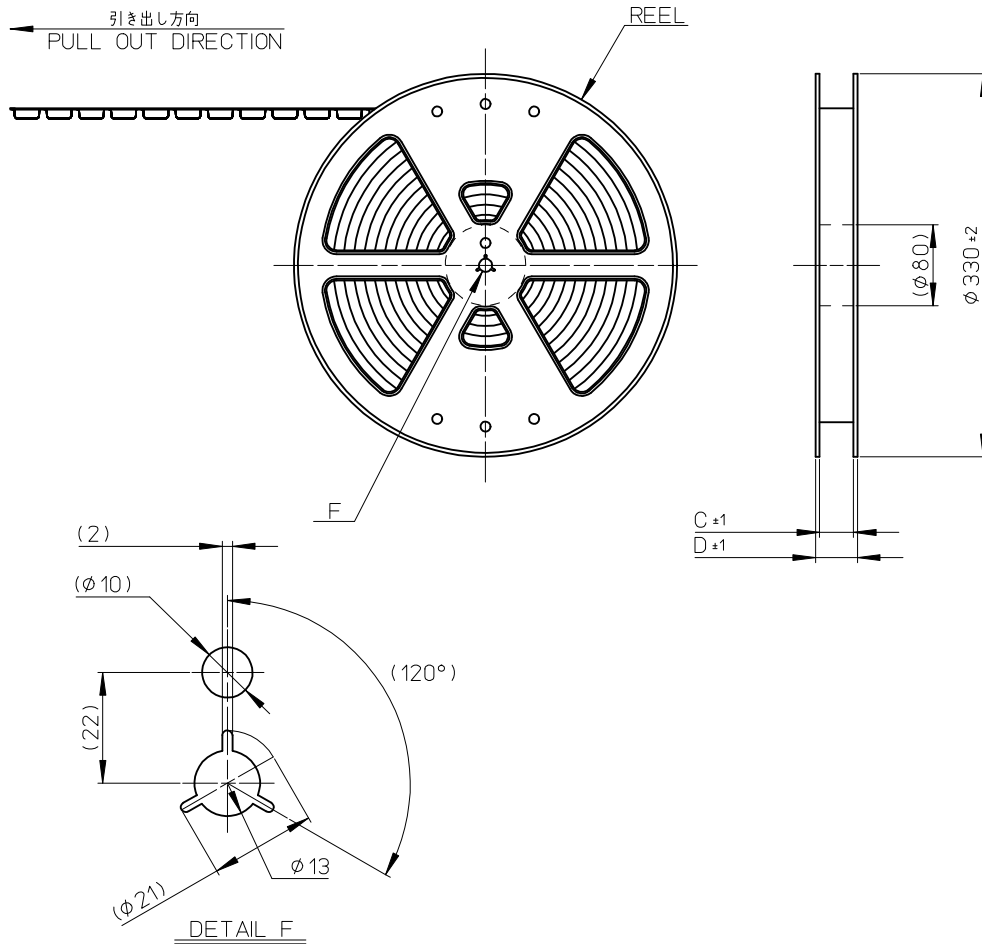
注記
NOTES:

- 1.材質
MATERIAL
ハウジング: 黒色、ポリアミド(PA46)、ガラス充填、UL94HB
HOUSING: BLACK, POLYAMIDE, GLASS FILLED, UL94HB
アクチュエーター: ナチュラル(白色)、ポリアミド(PA46)、ガラス充填、UL94HB
ACTUATOR: NATURAL (WHITE), POLYAMIDE, GLASS FILLED, UL94HB
ターミナル: リン青銅 (t=0.15)
TERMINAL: PHOSPHOR BRONZE (t=0.15)
補強金具: リン青銅 (t=0.15)
NAIL: PHOSPHOR BRONZE (t=0.15)
- 2.めっき仕様
PLATING
ターミナル: 接点部: 部分金メッキ(0.1μm以上)
テール部: 部分金メッキ
下地: ニッケルメッキ(1.0μm以上)
TERMINAL: CONTACT AREA: SEPARATED GOLD PLATING (0.1 MICROMETER MINIMUM)
SOLDER TAIL AREA: SEPARATED GOLD PLATING UNDER PLATING; NICKEL PLATING OVERALL (1.0 MICROMETER MINIMUM)
補強金具: 錫メッキ(1.0μm以上)
下地: ニッケルメッキ(1.0μm以上)
FITTING NAIL: TIN PLATING 1.0 MICROMETER MINIMUM. UNDER PLATING; NICKEL PLATING OVERALL (1.0 MICROMETER MINIMUM)
- 3.平坦度は、0.1mm以下とする。
TAILS AND NAILS COPLANARITY TO BE 0.1mm MAXIMUM.
- 4.ELV&RoHS COMPLIANT



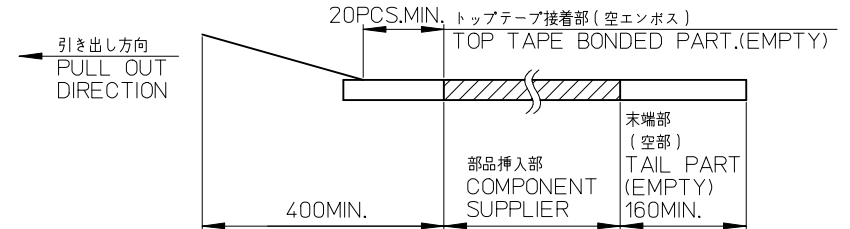
4.5	4.97	4.18	5.5	3.5	501461-0891	8
3.5	3.97	3.18	4.5	2.5	501461-0691	6
3.0	3.47	2.68	4.0	2.0	501461-0591	5
2.5	2.97	2.18	3.5	1.5	501461-0491	4
E	D	C	B	A	EMBOSSED TAPE PKG. ORDER NO. オーダー番号	極数(N) CIRCUITS(N)
					CONNECTOR NO.	501461-0492

REVISED EC NO: J2014-0211 DRWN:NASANUMA 2013/08/01 CHKD:KAKAHASHI 2013/08/01 APPR: YNOGAWA 2013/08/02	DESCRIPTION REV	GENERAL TOLERANCES (UNLESS SPECIFIED)		DIMENSION STYLE MM ONLY		SCALE 10:1	DESIGN UNITS METRIC	THIRD ANGLE PROJECTION	
		10 UNDER	±0.2	DRAWN BY NASANUMA	DATE 2013/04/26	TITLE 0.5 FPC CONN BACK FLIP HGT=0.8 HSG ASSY LOW-HALOGEN			
		10 OVER 30 UNDER	±0.25	CHECKED BY KTAKAHASHI	DATE 2013/04/26	molex DOCUMENT NO. SD-501461-009			
		30 OVER	±0.3	APPROVED BY YNOGAWA	DATE 2013/07/24				
ANGULAR ±1°		DRAFT WHERE APPLICABLE MUST REMAIN WITHIN DIMENSIONS		MATERIAL NO. SEE CHART		THIS DRAWING CONTAINS INFORMATION THAT IS PROPRIETARY TO MOLEX INCORPORATED AND SHOULD NOT BE USED WITHOUT WRITTEN PERMISSION			



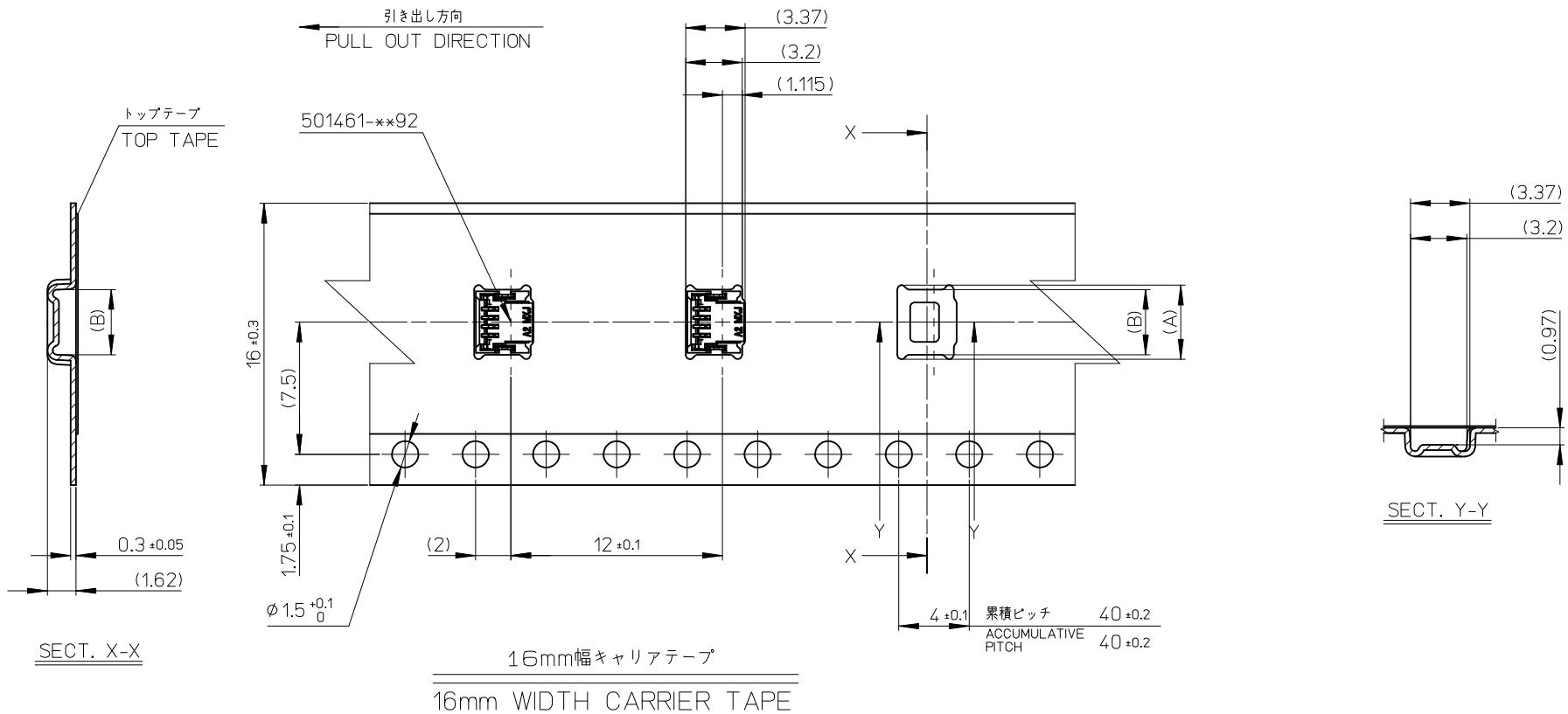
NOTES

- 製品詳細寸法については製品単体図面を参照下さい。
RE DETAILED DIMENSION, SEE PRODUCT DRAWING.
- 梱包数量: 3000個/リール
NUMBER OF CONNECTORS 3000PCS/REEL
- リードテープ長さ
LEAD TAPE LENGTH



- カバーテープの剝離強度については、IEC60286-3に準拠
COVER TAPE PEEL FORCE IS DEFINED BY IEC 60286-3.
- 材料
MATERIAL
キャリアテープ(CARRIRE TAPE): ポリスチレン (POLYSTYRENE)
トップテープ(TOP TAPE): PET, PE, PEF
リール(REEL): ポリスチレン (PS) <リサイクル材を含む>
POLYSTYRENE(PS) <RECYCLE MATERIAL CONTAILED>
- 6.ELV & RoHS COMPLIANT

RELEASED EC NO: J2013-1229 DRWN:NASANUMA 2013/06/25 CHKD:KTAKAHASHI 2013/06/25 APPR:YNOGAWA 2013/07/24	GENERAL TOLERANCES (UNLESS SPECIFIED)		DIMENSION STYLE MM ONLY		SCALE ---	501461-***91	MODEL NO.
	10 UNDER ±0.2		DRAWN BY DATE NASANUMA 2013/04/26		TITLE	THIRD ANGLE PROJECTION	
	10 OVER 30 UNDER ±0.25		CHECKED BY DATE KTAKAHASHI 2013/04/26		0.5 FPC CONN BACK FLIP H=0.8 EMBSTP PKG LOW-HALOGEN		
	30 OVER ±0.3		APPROVED BY DATE YNOGAWA 2013/07/24		molex		
REV O	DESCRIPTION ANGULAR ±1 ° DRAFT WHERE APPLICABLE MUST REMAIN WITHIN DIMENSIONS	MATERIAL NO. SEE CHART		DOCUMENT NO. SD-501461-010		SHEET NO. 1 OF 2	
		SIZE A3		THIS DRAWING CONTAINS INFORMATION THAT IS PROPRIETARY TO MOLEX INCORPORATED AND SHOULD NOT BE USED WITHOUT WRITTEN PERMISSION			



16	21.4	17.4	5.7	6.2	501461-0891	8
			4.7	5.2	501461-0691	6
			4.2	4.7	501461-0591	5
			3.7	4.2	501461-0491	4
キャリアテープ幅 CARRIER TAPE WIDTH	D	C	(B)	(A)	EMBOSSED PACKAGE オーダー番号:ORDER NO.	極数 CIRCUITS

CONNECTOR SERIES NO. : 501461-**92

SEE SHEET 1 OF 2 EC NO: J2013-1229 DRWN:NASANUMA 2013/06/25 CHKD:KTAKAHASHI 2013/06/25 APPR:YNOGAWA 2013/07/24	GENERAL TOLERANCES (UNLESS SPECIFIED)		DIMENSION STYLE MM ONLY		SCALE ---	DESIGN UNITS METRIC	THIRD ANGLE PROJECTION	
	10 UNDER	±0.2	DRAWN BY	DATE	TITLE			
	10 OVER 30 UNDER	±0.25	NASANUMA	2013/04/26	0.5 FPC CONN BACK FLIP H=0.8 EMBSTP PKG LOW-HALOGEN			
	30 OVER	±0.3	CHECKED BY	DATE				
	ANGULAR ±1°		KTAKAHASHI	2013/04/26				
DRAFT WHERE APPLICABLE MUST REMAIN WITHIN DIMENSIONS		APPROVED BY	DATE	MATERIAL NO.	DOCUMENT NO.	SHEET NO.		
		YNOGAWA	2013/07/24	SEE CHART	SD-501461-010	2 OF 2		
		THIS DRAWING CONTAINS INFORMATION THAT IS PROPRIETARY TO MOLEX INCORPORATED AND SHOULD NOT BE USED WITHOUT WRITTEN PERMISSION						