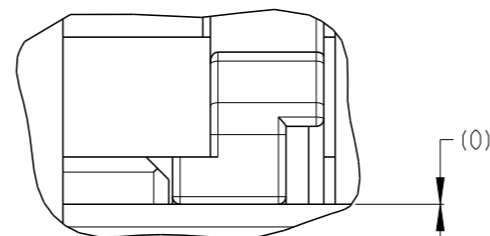
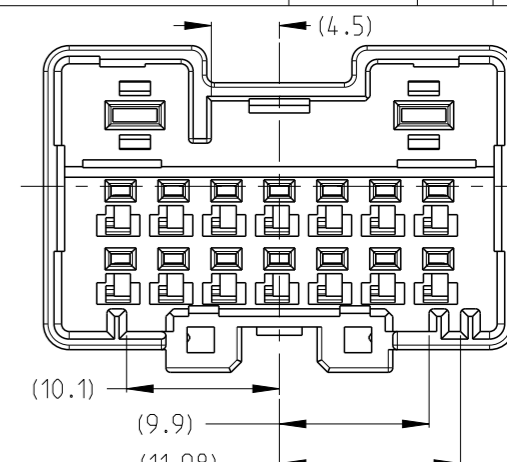
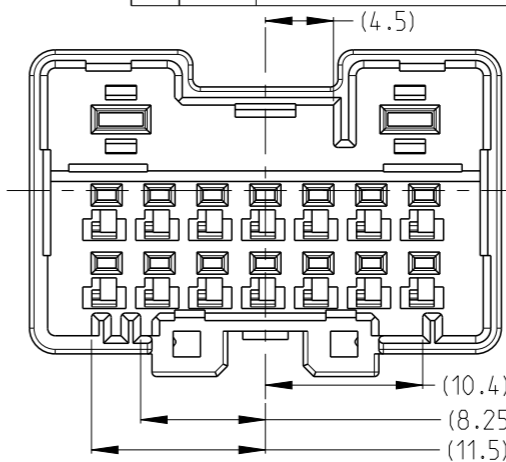
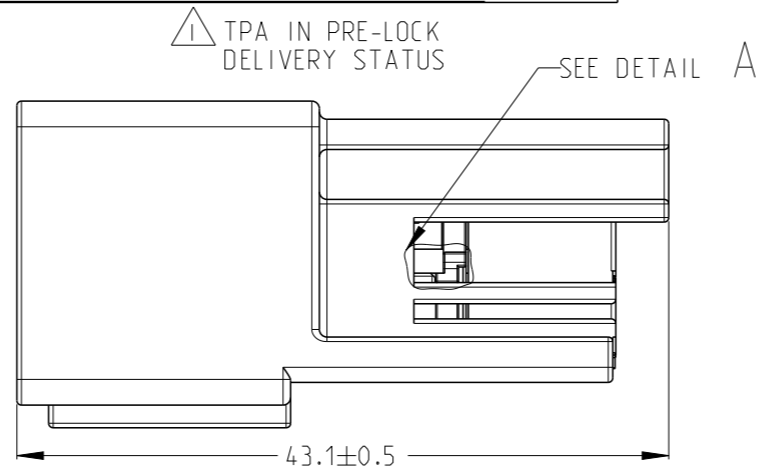
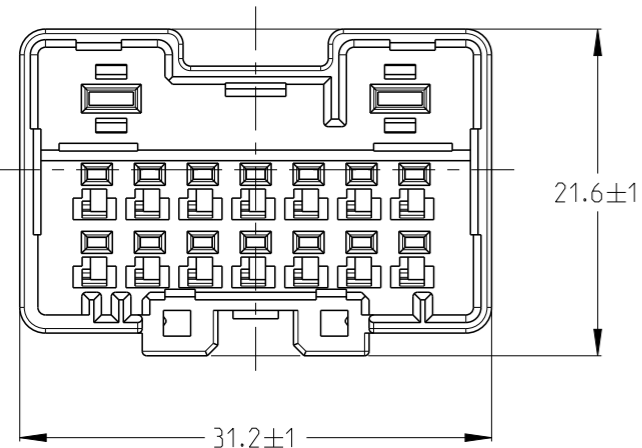


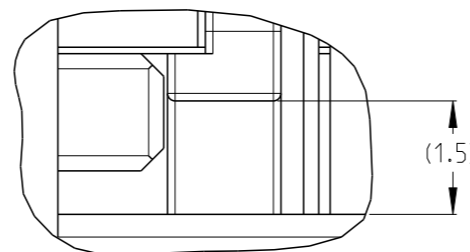
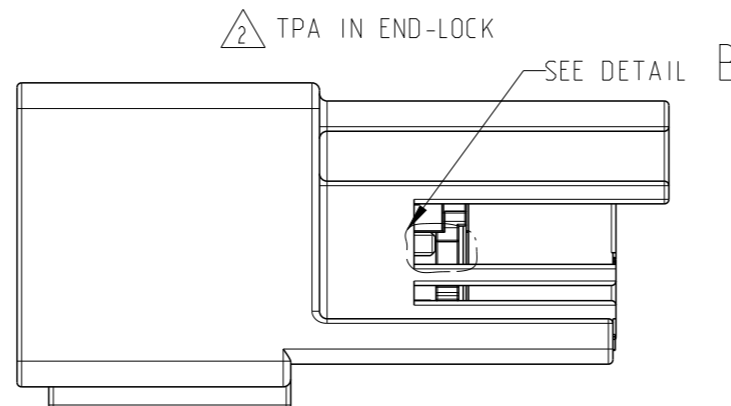
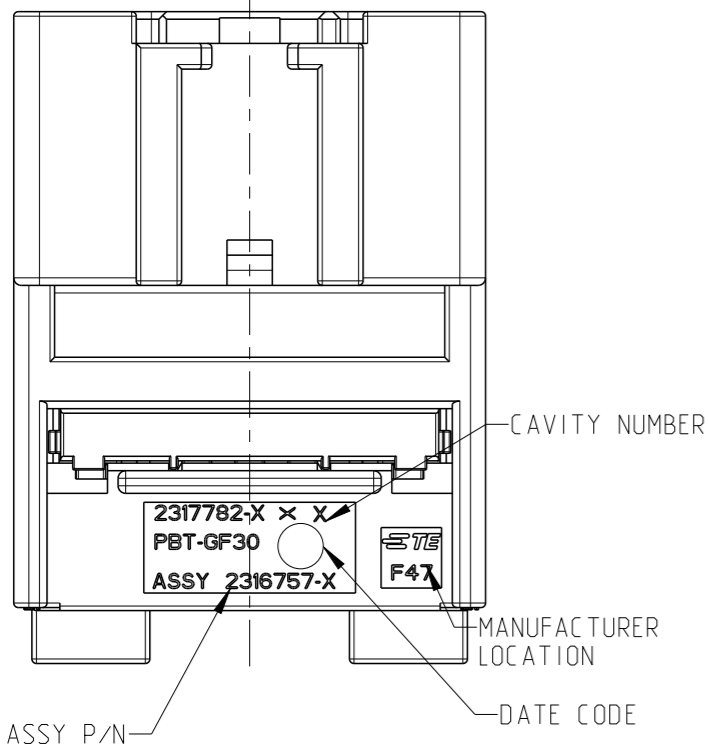
THIS DRAWING IS UNPUBLISHED. RELEASED FOR PUBLICATION 20  
 © COPYRIGHT 20 BY - ALL RIGHTS RESERVED.

REVISIONS

P	LTR	DESCRIPTION	DATE	DWN	APVD
1	B SAMPLE		25SEP2017	A.D	I.Y
2	ECR-17-018716		05DEC2017	A.D	E.J
A	RELEASE		06AUG2018	A.D	SY.W
B	ECR-19-002169		25DEC2018	A.D	I.Y



DETAIL A  
SCALE 10:1



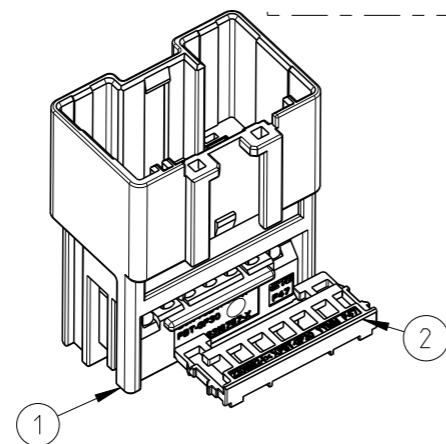
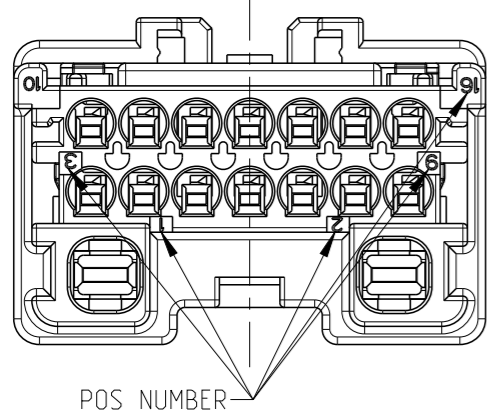
DETAIL B  
SCALE 10:1

NOTES:

- 1. TPA IN PRE-LOCK STATUS WHEN DELIVERY.
- 2. TPA IN END-LOCK AFTER CONTACT ASSEMBLY.
- 3. PRODUCT SPEC: 108-101579.
- 4. MATING PART IS \*-2301812-\*; APPLICABLE BRACKET (CLIP) IS 2299284-3/4.
- 5. APPLICABLE CONTACT & CABLE SIZE. SEE TABLE.

CONTACT SIZE (MM)	CABLE SIZE (MM <sup>2</sup> )	INSULATION DIA (MM)	CONTACT	PLATING
1.2	0.22-0.35	1.1-1.4	2294463-1	PRE-TIN
	0.5-0.75	1.4-1.9	2294463-2	PRE-TIN
	1.0-1.5	1.9-2.4	2294463-3	PRE-TIN
2.8	0.5-1.0	1.4-2.1	2-964294-1	PRE-TIN
	>1.0-2.5	2.2-3.0	2-964296-1	PRE-TIN
	>2.5-4.0	2.7-3.7	1-968946-1 2-968946-1	PRE-TIN

1	1	NATURE	PBT-GF30	TPA REC HSG.16POS.HYBRID	2
1		YELLOW	PBT-GF30	16POS HYBRID TAB HSG COD B	
	1	BLACK	PBT-GF30	16POS HYBRID TAB HSG COD A	1
QTY	QTY	COLOR	MATERIAL	DESCRIBE	NO
12.36	12.36	WEIGHT(g)			
B	A	CODING			
B	B	REV			
2316757-2	2316757-1	ASSY P/N			



THIS DRAWING IS A CONTROLLED DOCUMENT.

DIMENSIONS:	TOLERANCES UNLESS OTHERWISE SPECIFIED:
mm	
Ø PLC	±
1 PLC	±0.1
2 PLC	±0.01
3 PLC	±0.001
4 PLC	±0.0001
ANGLES	±
MATERIAL	FINISH
SEE TABLE	-
	-finish_spec=2-

DWN	25SEP2017
A.DANG	
CHK	25SEP2017
E.JIANG	
APVD	25SEP2017
I.YIN	
PRODUCT SPEC	108-101579
APPLICATION SPEC	114-101077
WEIGHT	-
CUSTOMER DRAWING	

**STE** TE Connectivity

NAME: 16POS.HYBRID.TAB HSG ASSY

SIZE	CAGE CODE	DRAWING NO	RESTRICTED TO
A3	00779	C=2316757	-

SCALE 2:1 SHEET 1 OF 1 REV B