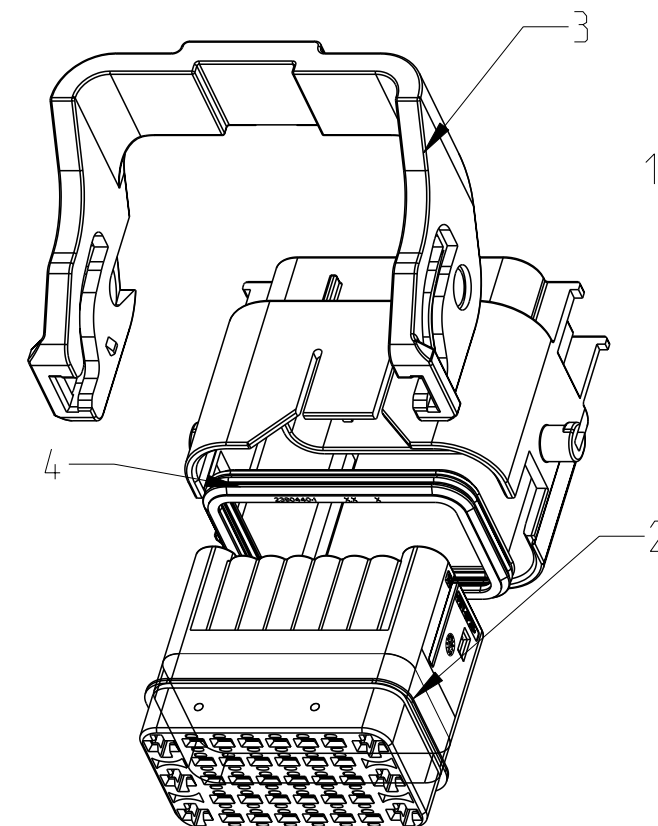
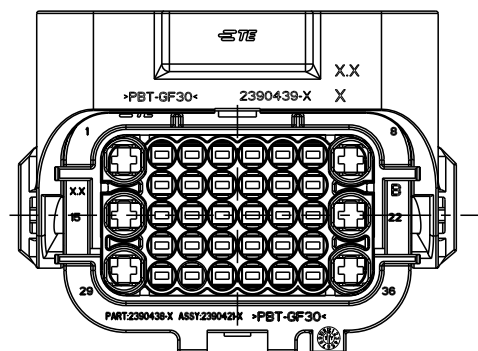
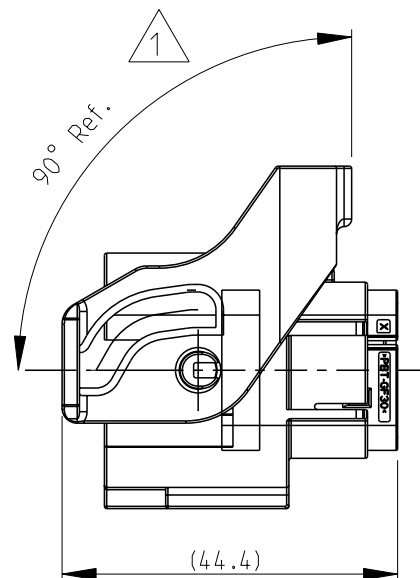
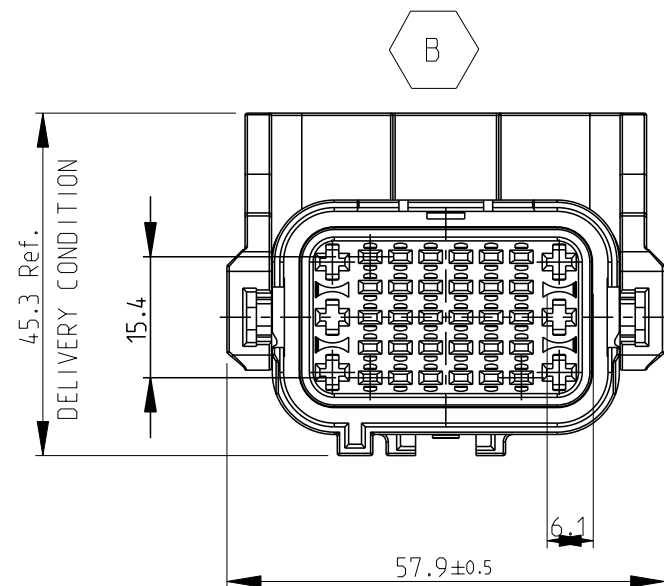
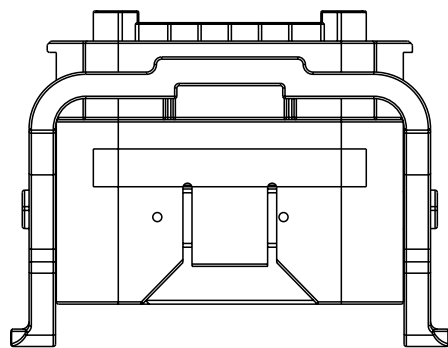


REVISIONS

P	LTR	DESCRIPTION	DATE	DWN	APVD
1		INITIAL RELEASE	26MAY21	K.Z	J.Z
A		RELEASE	25MAR22	K.Z	J.Z
B		ECR-23-179417	26JUN2023	K.Z	J.Z



(TABLE 1: PLUG)

TERMINAL	TERMINAL P/N	WIRE SIZE (mm ²)	INSULATION WIRES (mm)	SWS P/N	PLIND PLUG	CAVITY DIAMETER
MCP 2.8	1-968855-1	0.5-1.0	∅1.40-2.10	828904-1	828922-1	∅5.20
	1-968857-1	1.0-2.5	∅2.20-3.00	828905-1	828922-1	∅5.20
MCP 1.5K	1564324-1	0.35	∅1.20-1.40	964971-1	1394132-1	∅3.60
	1241380-1	0.5-1.0	∅1.40-1.90	963530-1	1394132-1	∅3.60
	1241380-1	0.5-1.0	∅1.40-2.10	964972-1	1394132-1	∅3.60

NOTES:

- ASSY DELIVERED WITH LEVER IN PRE-LOCK POSITION, IF LEVER UNEXPECTED EBECOME ENGAGED, PLEASE MOVE LEVER PRE-LOCK POSITION.
- TE ASSEMBLY P/N SEE TABLE.
- MATING CONNECTOR: 2390416-1 OR 1743062-X
- APPLICABLE TERMINAL PART MUNMBERS AND WIRE SIZES: SEE TABLE 1.
- GENERAL TOLERANCE IS ± 0.3. ± 3°

ASSY PN	REV	QTY	COLOR	MATERIAL NO	DESCRIPTION	ITEM
2390421-1	B	1	OGANGE	LSR3386/30	36WAY SEAL	4
		1	GRAY	PBT-GF30	36WAY LEVER	3
		1	BLACK	PBT-GF30	36WAY CAVITY HOUSING	2
		1	BLACK	PBT-GF30	36WAY OUTER HOUSING	1



THIS DRAWING IS A CONTROLLED DOCUMENT.		DWN K.ZHOU 27MAY2021	TE Connectivity NAME 36POS, HYB MCP 1.5K/2.8 REC HSG ASSY		
DIMENSIONS: mm		CHK T.DONG 27MAY2021			
TOLERANCES UNLESS OTHERWISE SPECIFIED:		APVD J.ZONG 27MAY2021			
0 PLC ± 1 PLC ±0.1 2 PLC ±0.01 3 PLC ±0.001 4 PLC ±0.0001 ANGLES ±		PRODUCT SPEC 108-160374			
MATERIAL SEE TABLE		FINISH -	APPLICATION SPEC 114-160565	WEIGHT -	RESTRICTED TO
RESTRICTED CUSTOMER			SCALE 1:1	SHEET 1 OF 1	REV B

Printed on 27 Jun 2023 13:21 (China Standard Time) from TE460523