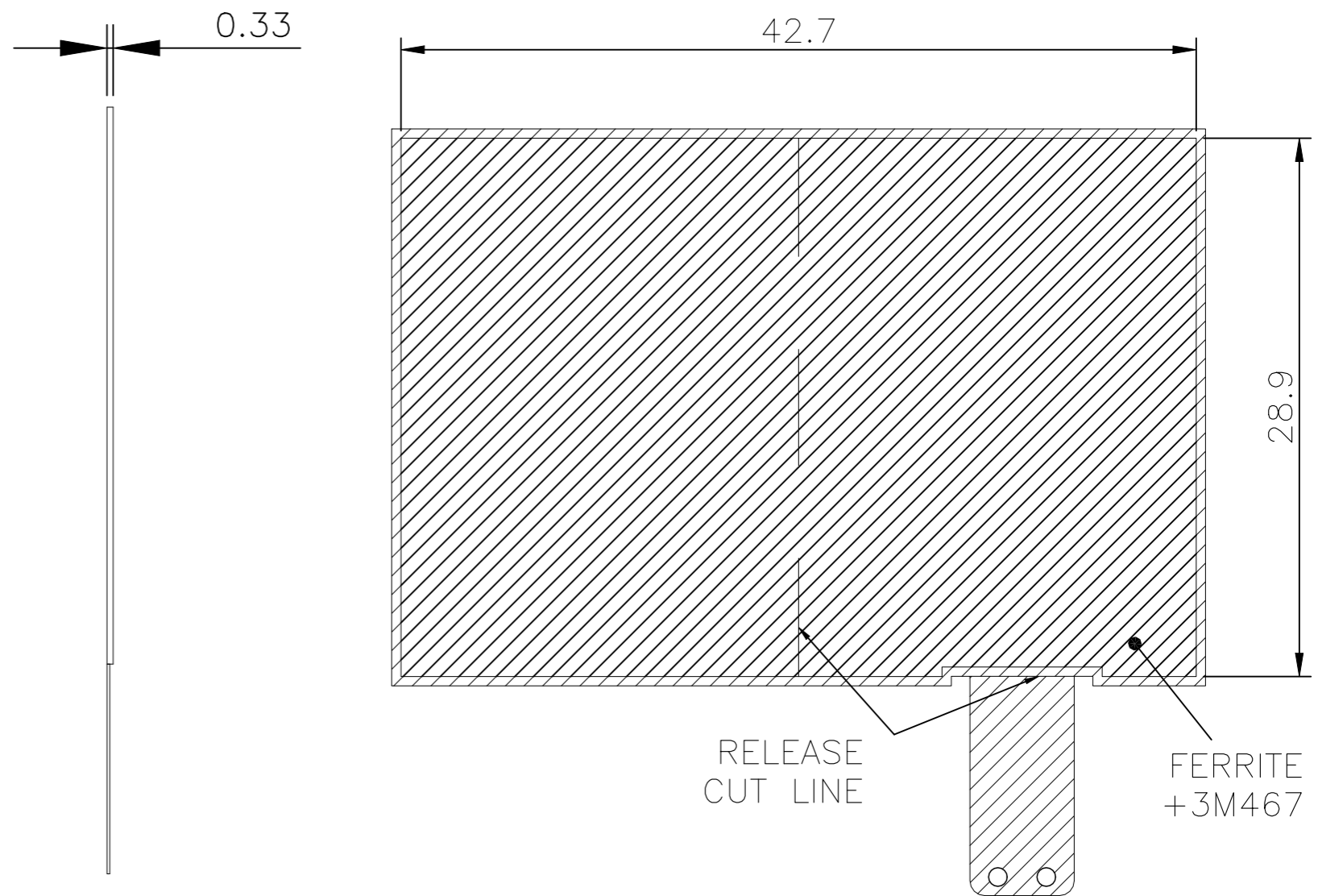
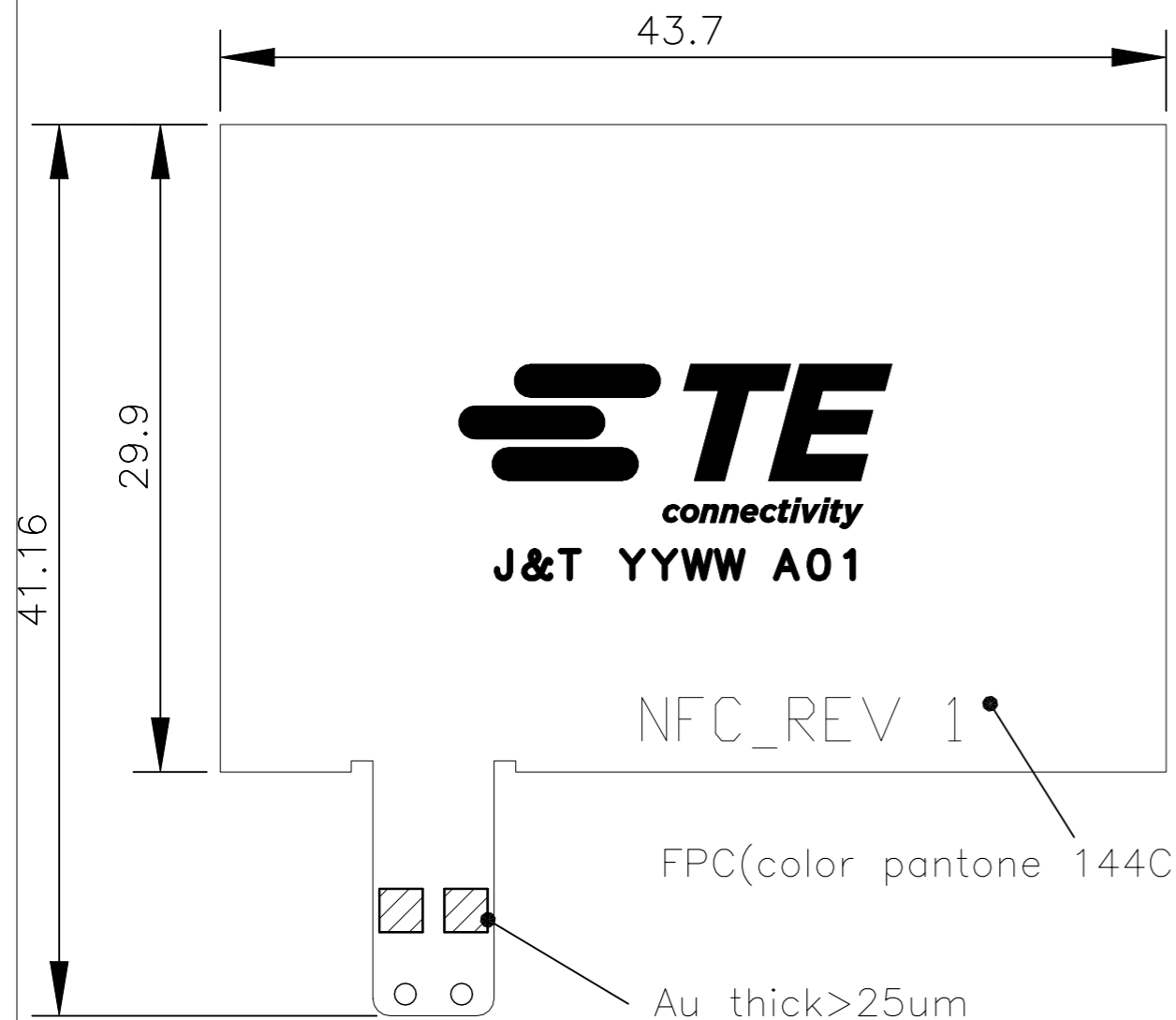


© - TE Connectivity. All Rights Reserved.

REVISIONS					
P	LTR	DESCRIPTION	DATE	DWN	APVD
	A	GTP ECN-23-221574	12JUL2023	DC	SJ



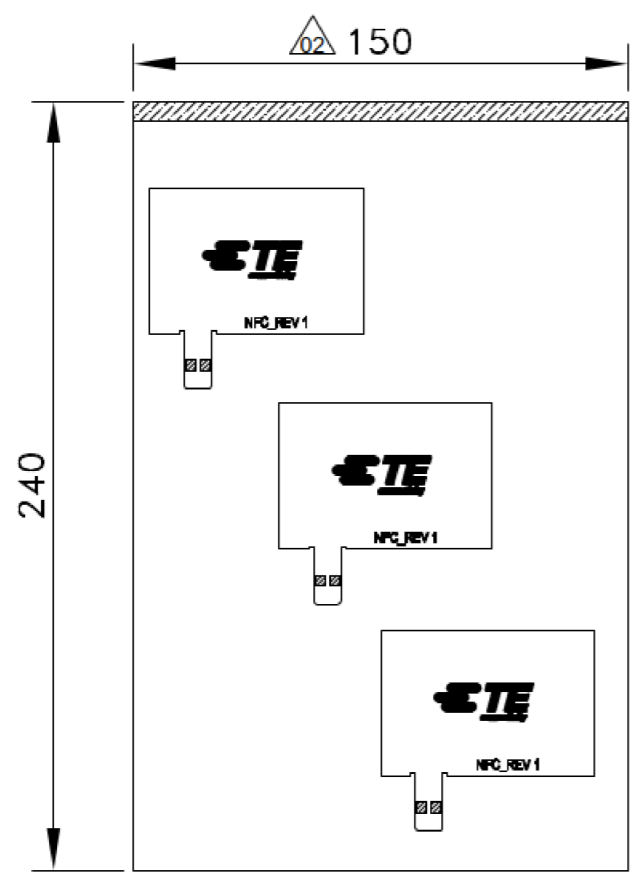
- NOTE
1. FREQUENCY : 13.56MHZ
 2. L_a:962.74nH ; R_s:1.08 Ohm
 3. SENSOR DISTANCE 78mm
 4. OPERATING TEMPERATURE -40 TO +85
 5. STORAGE TEMPERATURE -40 TO +85
 6. MEET ROHS REQUIREMENT
 7. CONSULT TE CONNECTIVITY DS_L000643

L000643-01
TE PN

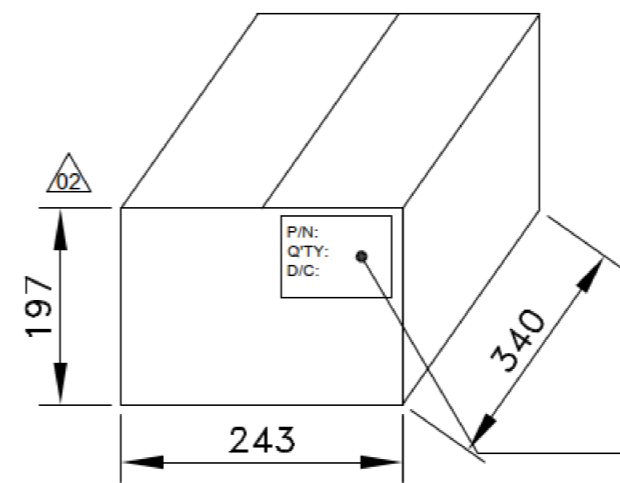
THIS DRAWING IS A CONTROLLED DOCUMENT.		DWN DC	03JUL2023		
		CHK JH	03JUL2023		
		APVD JH	03JUL2023	NAME	
		PRODUCT SPEC		FPC, ANT, 13.56MHZ, FERRITE, NFC, RECT	
		APPLICATION SPEC		-	
		WEIGHT	-	SIZE	A3
		CUSTOMER DRAWING		CAGE CODE	00779
				DRAWING NO	C=L000643
				RESTRICTED TO	-
				SCALE	1:1
				SHEET	1 OF 2
				REV	A

DIMENSIONS:		TOLERANCES UNLESS OTHERWISE SPECIFIED:	
mm			
	0 PLC	± -	
	1 PLC	± 0.3	
	2 PLC	± 0.3	
	3 PLC	± -	
	4 PLC	± -	
MATERIAL		FINISH	
-		-	

REVISIONS					
P	LTR	DESCRIPTION	DATE	DWN	APVD
-	-	SEE SHEET 1	-	-	-



50PCS Antenna Per bag and seal
(每包50支天線並封口)



1000 pcs Antenna per carton
(每箱天線數量為1000pcs)

Outside the carton:
Stick the label on the side mark
(將標籤黏貼於外箱側麥)

THIS DRAWING IS A CONTROLLED DOCUMENT.		DWN DC	03JUL2023	TE Connectivity	
		CHK JH	03JUL2023		
		APVD JH	03JUL2023		
DIMENSIONS: mm		TOLERANCES UNLESS OTHERWISE SPECIFIED:		NAME	
		0 PLC	± -	FPC, ANT, 13.56MHZ, FERRITE, NFC, RECT	
		1 PLC	± -	-	
		2 PLC	± 0.3	-	
		3 PLC	± -	-	
MATERIAL		4 PLC	± -	SIZE	CAGE CODE
-		ANGLES	± -	A3	00779
		FINISH	± -	DRAWING NO	RESTRICTED TO
		-	-	C=L000643	-
CUSTOMER DRAWING				SCALE	REV
				1:1	A
				SHEET	2 OF 2