

P	LTR	DESCRIPTION	DATE	DWN	APVD
B		ECR-23-176724	26MAY2023	DC	JH

NOTES:

1. Electrical:

- 1.1 Frequency: 423~443MHz
- 1.2 Impedance: 50 OHM.
- 1.3 VSWR:<3.1
- 1.4 Peck Gain: -2.3dBi
- 1.5 Polarization: linear
- 1.6 Radiation Patten:Omni-directional

2. Enviromental:

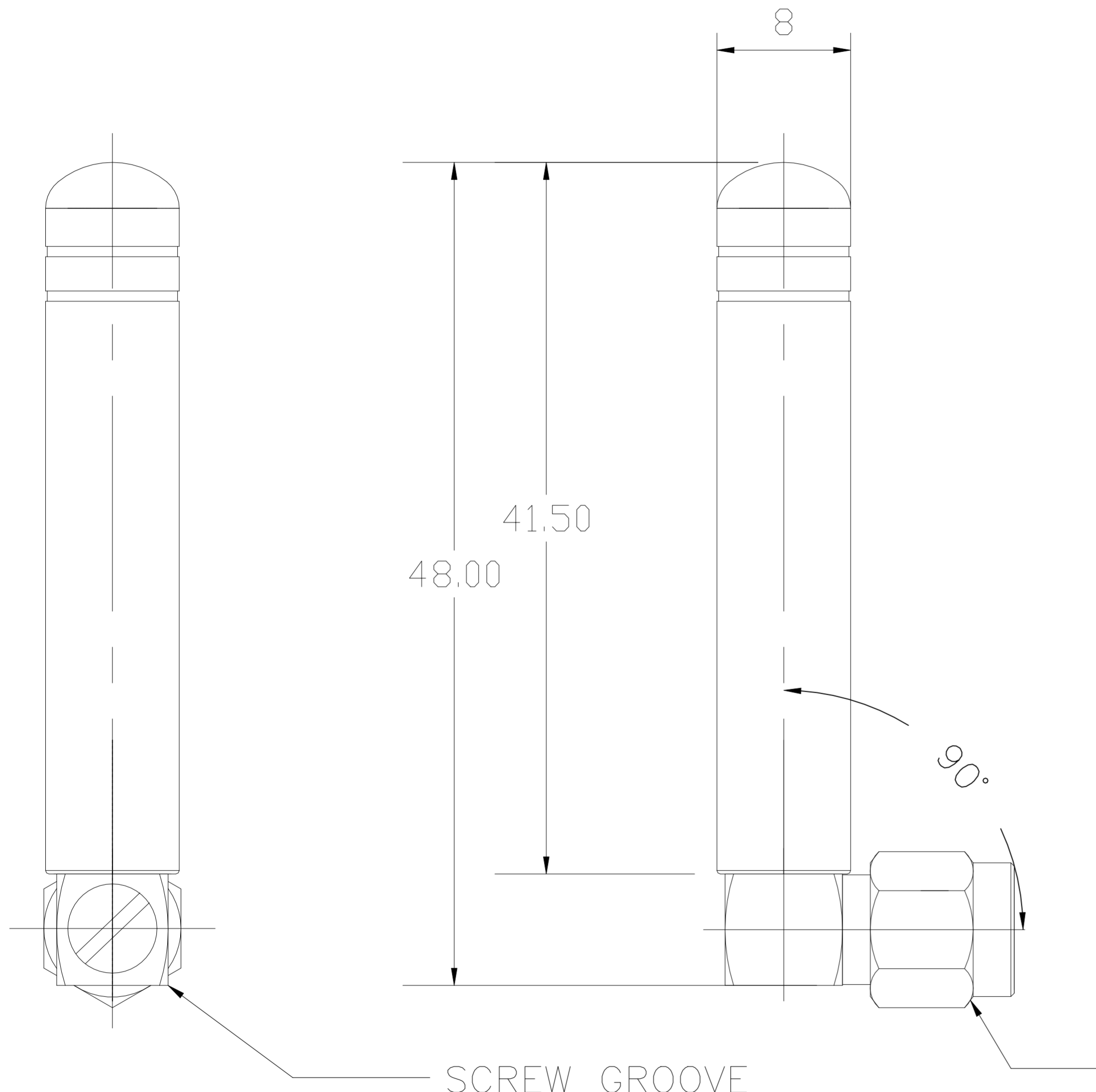
- 2.1 Storage Temperature Range: -30 TO +75°C
- 2.2 Operating Temperature Range: -30 TO +75°C

3. Antenna meet RoHS Request.

4. PACKAGING : SINGULARATE PARTS TO BE SECURELY BAG WRAPPED, BAGGED OR VACUM PACKAGE INBULK

5. CONSULT TE CONNECTIVITY DATASHEET DS 2195892

6. SMA MALE CONNECTOR CAN NOT ROTATE TO 180 DEGREE

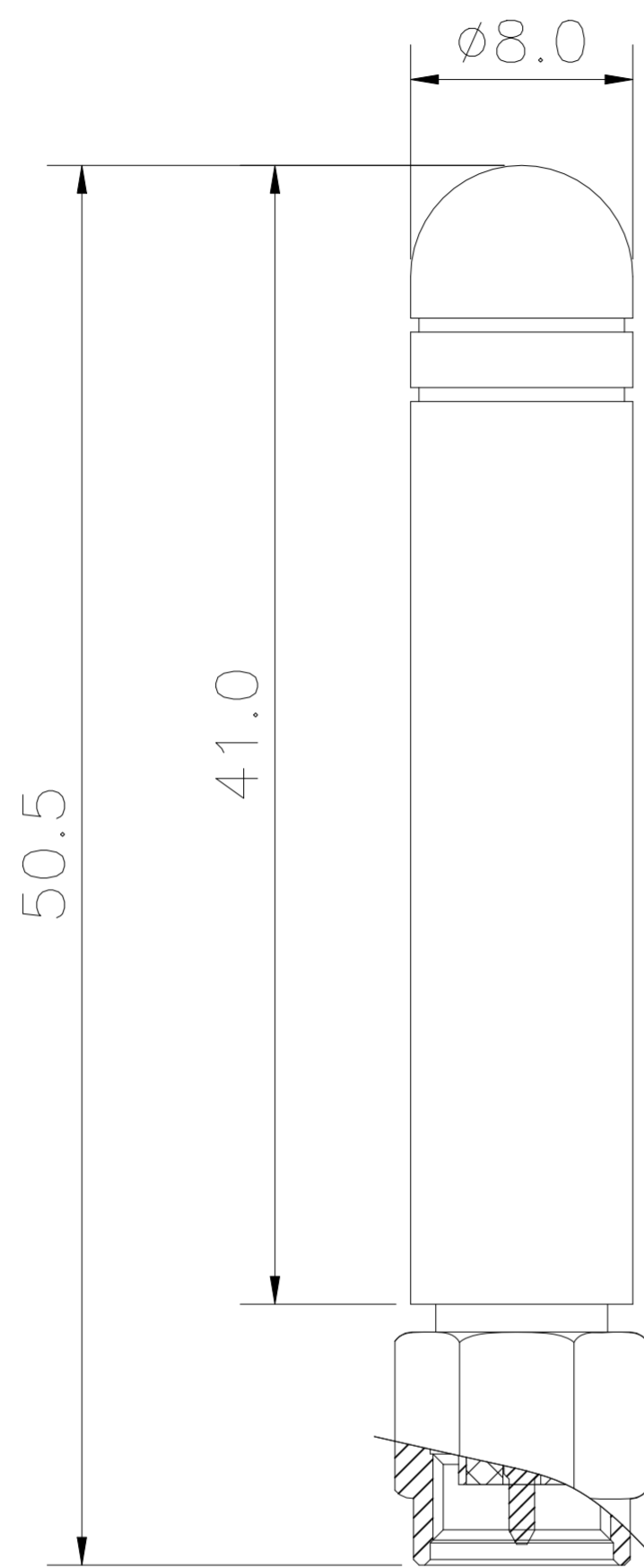


2195892-1

TE PN

THIS DRAWING IS A CONTROLLED DOCUMENT.		DWN DC HSIANG 29JAN2021	TE TE Connectivity	
DIMENSIONS: mm		CHK SHIN_HOO 29JAN2021		
TOLERANCES UNLESS OTHERWISE SPECIFIED:		APVD AMOS_CHEAH 29JAN2021	NAME External Ant., SMA, 423-443MHz	
0 PLC ± -		PRODUCT SPEC	-	
1 PLC ± -		APPLICATION SPEC	-	
2 PLC ± -		WEIGHT 0	SIZE A2	CAGE CODE 00779
3 PLC ± -		FINISH -	DRAWING NO C=2195892	
4 PLC ± -		MATERIAL -	RESTRICTED TO -	
ANGLES ± -		CUSTOMER DRAWING		
SCALE 1:1		SHEET 1 of 2		REV B

REVISIONS				
P	LTR	DESCRIPTION	DATE	APVD
-	-	SEE SHEET 1	-	-



SMA MALE

NOTES:

1. Electrical:

- 1.1 Frequency: 423~443MHz
- 1.2 Impedance: 50 OHM.
- 1.3 VSWR:<3.0
- 1.4 Peck Gain: -0.5dBi
- 1.5 Polarization: Linear
- 1.6 Radiation Patten:Omni-directional

2. Enviromental:

- 2.1 Storage Temperature Range: -30 TO +75°C
- 2.2 Operating Temperature Range: -30 TO +75°C

3. Antenna must meet RoHS Request.

4. PACKAGING : SINGULARATE PARTS TO BE SECURELY BAG WRAPPED BAGGED OR VACUM PACKAGE INBULK

5. CONSULT TE CONNECTIVITY DATASHEET DS 2195892

6. SMA MALE CONN. CAN NOT ROTATE TO 90 DEGREE

2195892-2

TE PN

THIS DRAWING IS A CONTROLLED DOCUMENT.		DWN DC_HSIANG 29JAN2021	TE TE Connectivity	
DIMENSIONS: mm		CHK SHIN_HOO 29JAN2021		
TOLERANCES UNLESS OTHERWISE SPECIFIED:		APVD AMOS_CHEAH 29JAN2021	NAME External Ant., SMA, 423-443MHz	
0 PLC ± -		PRODUCT SPEC	-	
1 PLC ± -		APPLICATION SPEC	-	
2 PLC ± -		WEIGHT 0	SIZE A2	CAGE CODE 00779
3 PLC ± -		FINISH -	DRAWING NO C=2195892	
4 PLC ± -		MATERIAL -	RESTRICTED TO -	
ANGLES ± -		CUSTOMER DRAWING	SCALE 1:1	SHEET 2 of 2
			REV B	