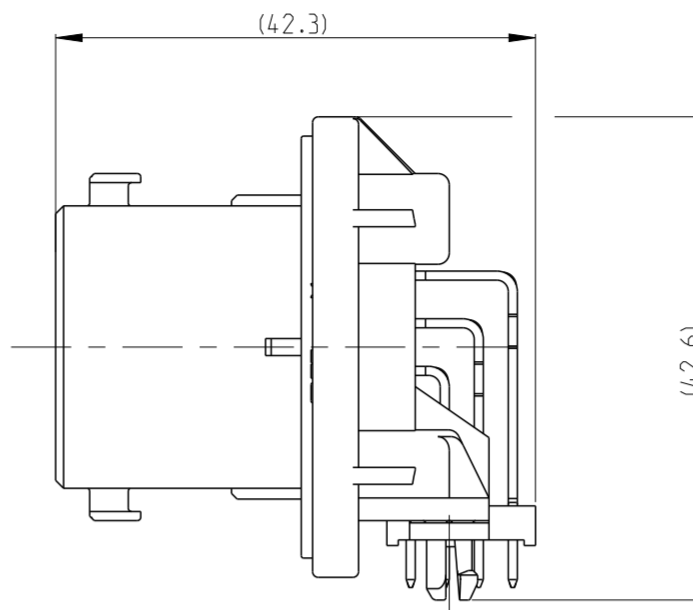
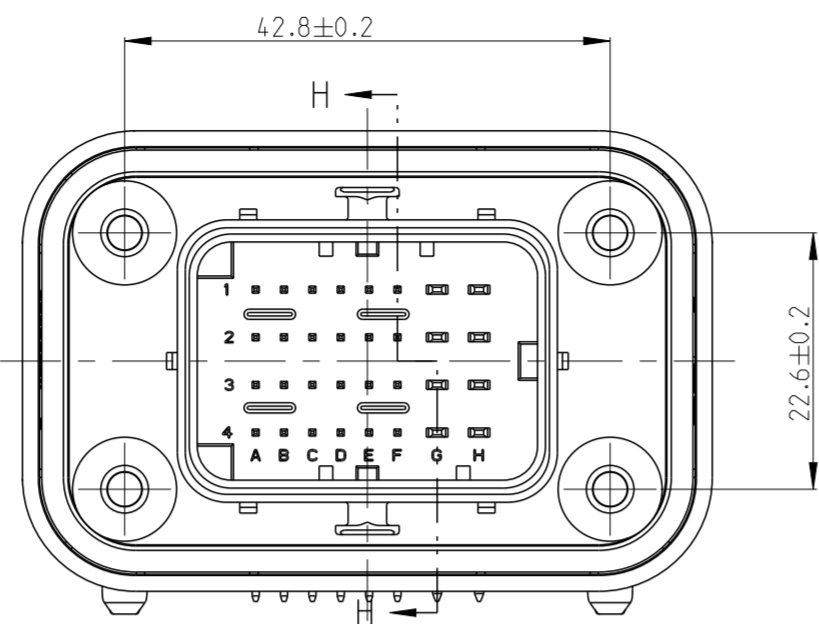
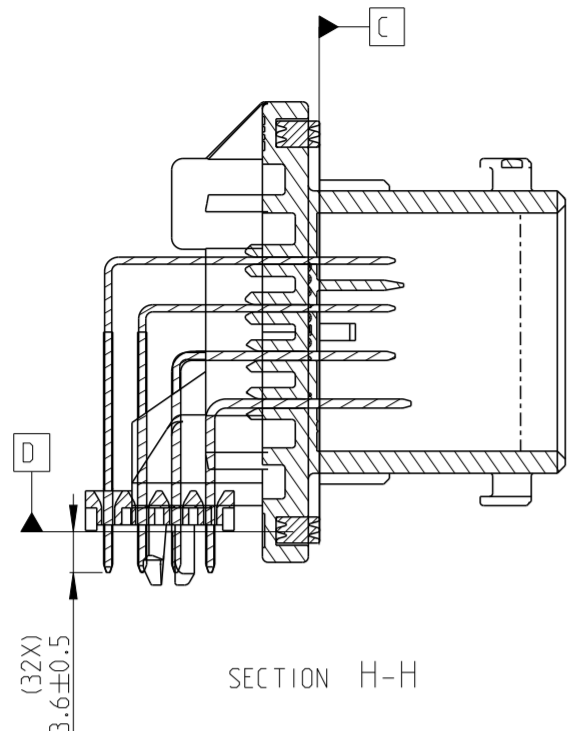
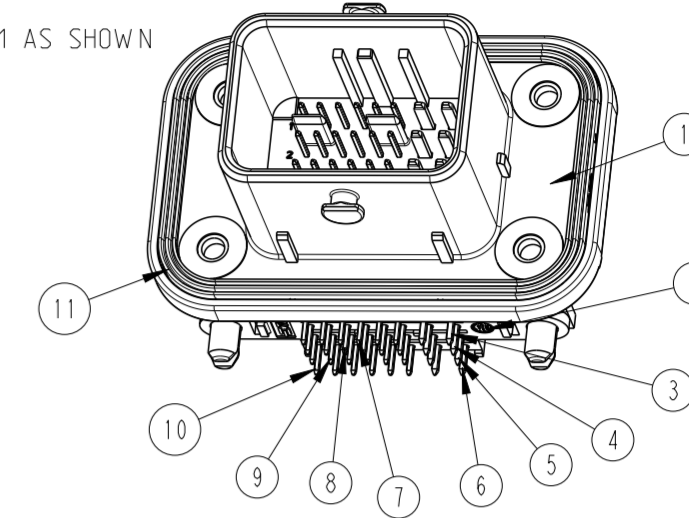


REVISIONS					
P	LTR	DESCRIPTION	DATE	DWN	APVD
C		REVISED(ECR-20-010240)	20JUL2020	Z.L	E.J
C1		REVISED(ECN-21-115017)	27AUG2021	J.W	E.J
C2		REVISED(ECN-22-152977)	06MAY2022	C.J	J.Z
C3		ECN-23-220866	07JUL23	C.J	J.Z

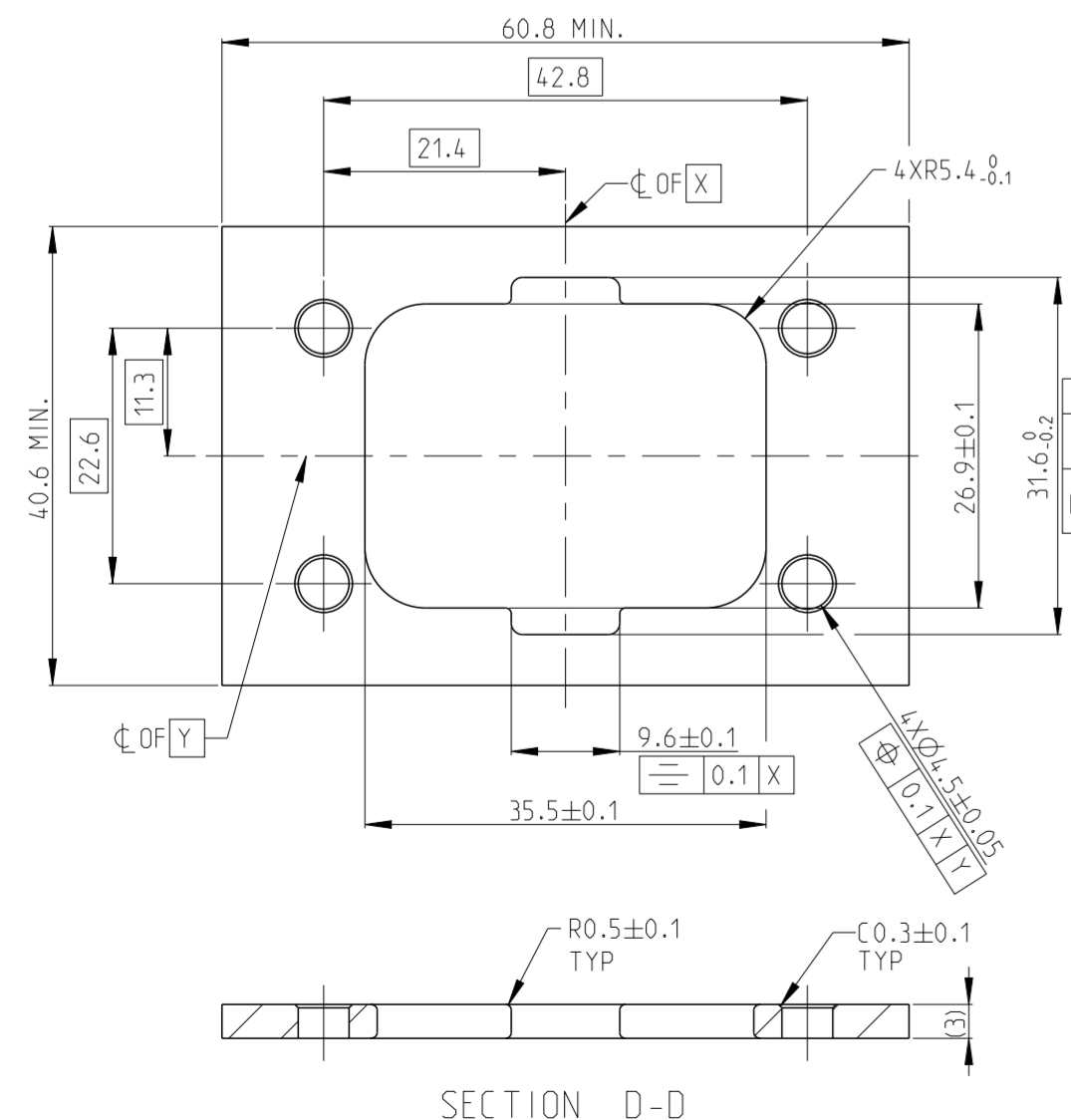
2334366-1 AS SHOWN



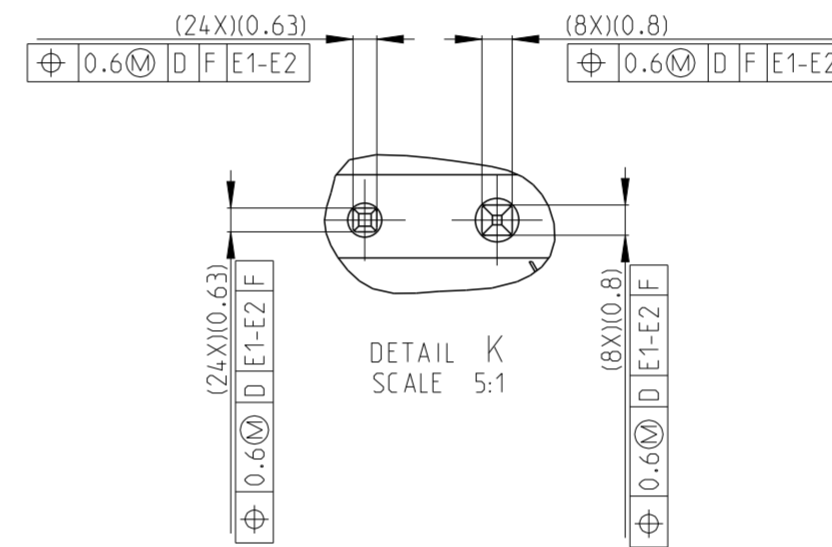
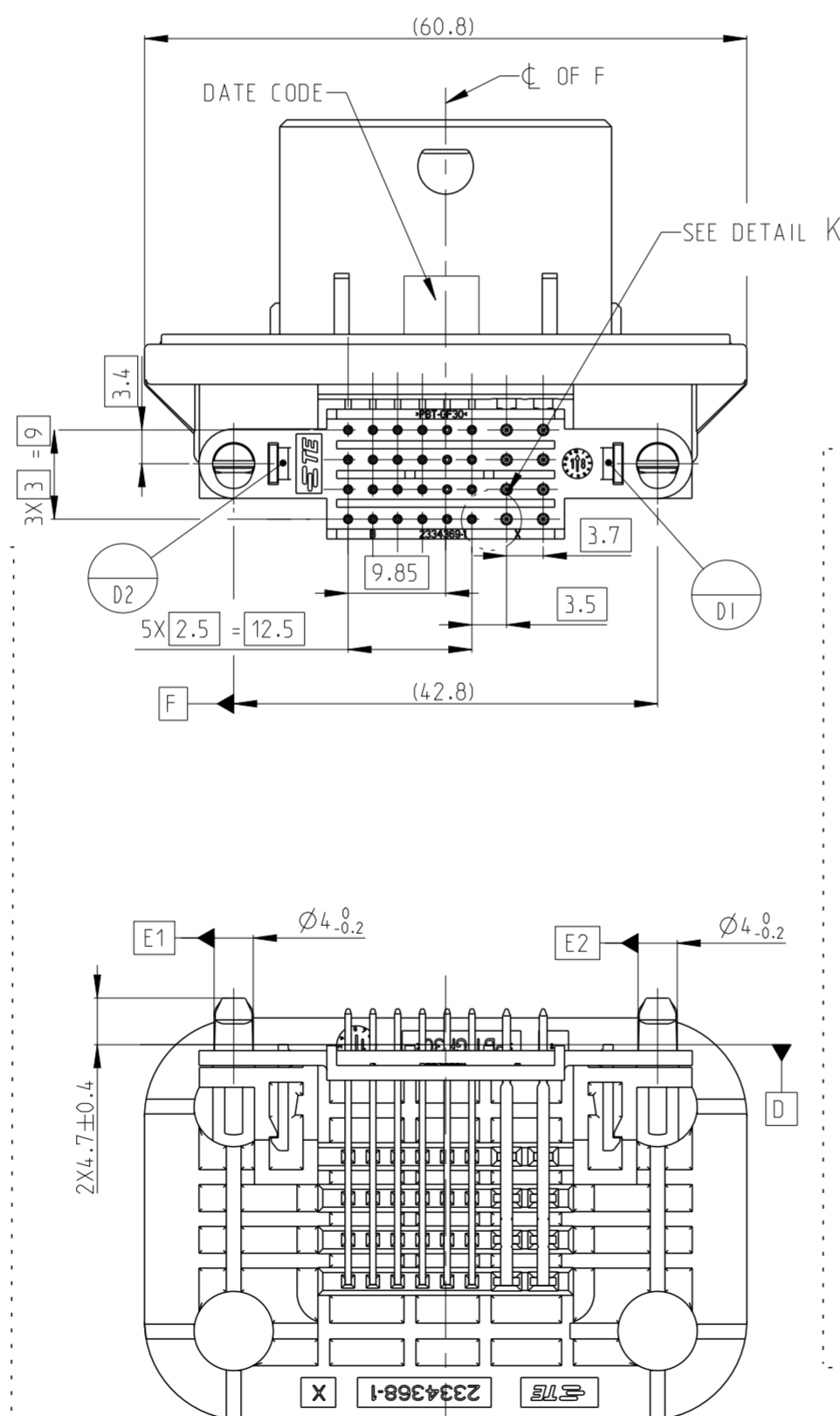
2334366-1 AS SHOWN



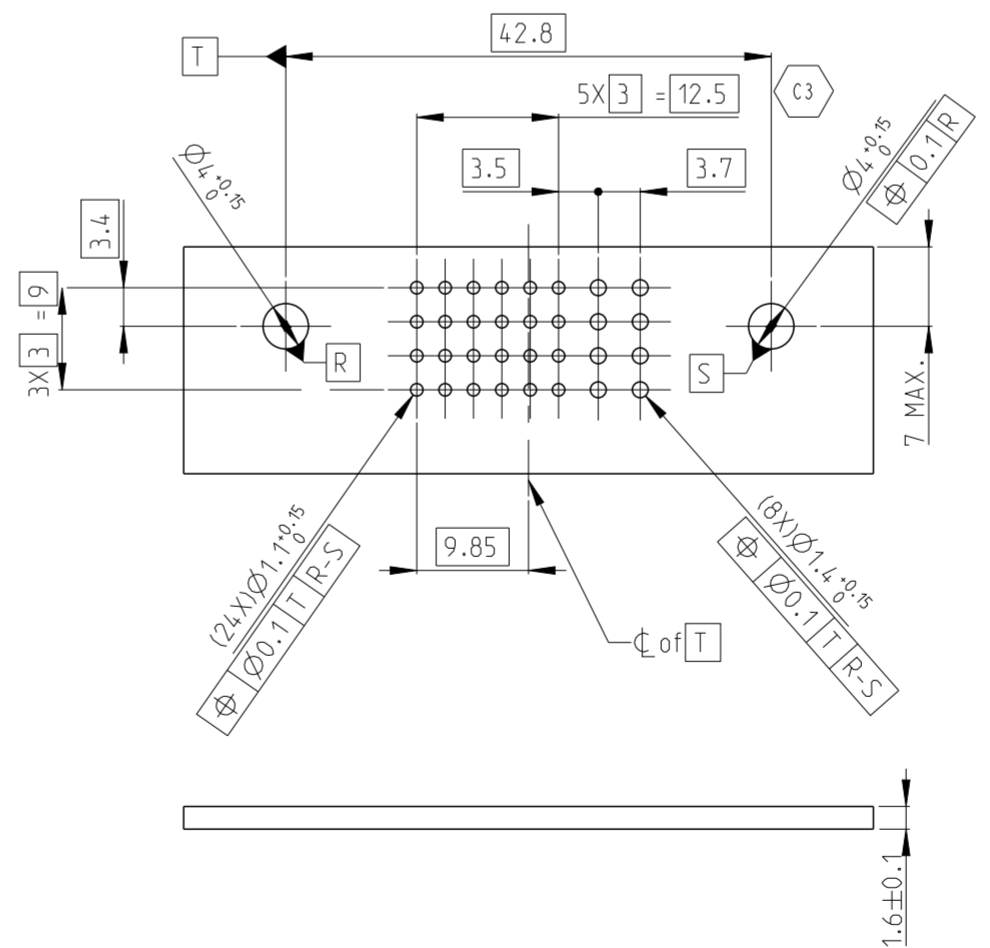
RECOMMEND THROUGH WALL INTERFACE:



SECTION D-D



RECOMMEND PCB LAYOUT:



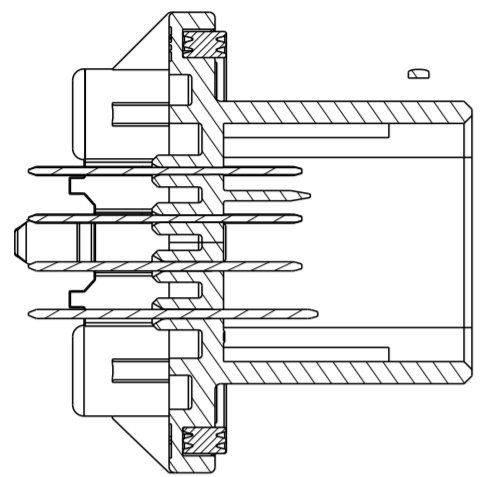
- SEE TABLE LIST.
- CONTACT RETENTION FORCE:
0.63 SIGNAL PIN 35N MIN;
1.5 POWER PIN 70N MIN.
- OPERATING TEMPERATURE RANGE: -40°C ~ +110°C (EXCEPT SELF-HEATING).
STORAGE TEMPERATURE: -40°C ~ +125°C
- MATED PLUG TE P/N: 2137299-6/2352158-6 (LEVER LEFT); 2137299-8/
2352225-1 (LEVER RIGHT).
- RECOMMEND SCREW TYPE: EJOT WN1452, M4X10, M4X12 (PREFER).
RECOMMEND TORQUE: 1.4 +/- 0.1 Nm.

ITEM NO.	DESCRIPTION	MATERIAL	COLOR/FINISH	ITEM NO.
11	FACIAL SEAL	SILICONE	RED	11
10	0.63x0.63 SIGNAL PIN	COPPER ALLOY	TIN OVER NICKEL	10
9	0.63x0.63 SIGNAL PIN	COPPER ALLOY	TIN OVER NICKEL	9
8	0.63x0.63 SIGNAL PIN	COPPER ALLOY	TIN OVER NICKEL	8
7	0.63x0.63 SIGNAL PIN	COPPER ALLOY	TIN OVER NICKEL	7
6	1.5x0.8 POWER PIN	COPPER ALLOY	TIN OVER NICKEL	6
5	1.5x0.8 POWER PIN	COPPER ALLOY	TIN OVER NICKEL	5
4	1.5x0.8 POWER PIN	COPPER ALLOY	TIN OVER NICKEL	4
3	1.5x0.8 POWER PIN	COPPER ALLOY	TIN OVER NICKEL	3
2	JOINTER	PBT-GF30	BLACK	2
1	90° HOUSING	PBT-GF30	BLACK	1

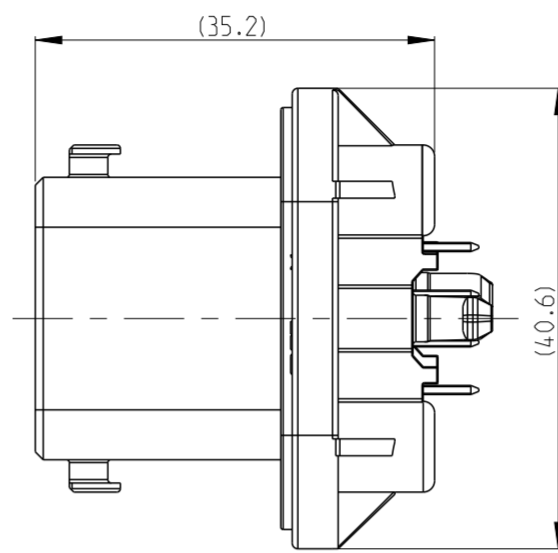
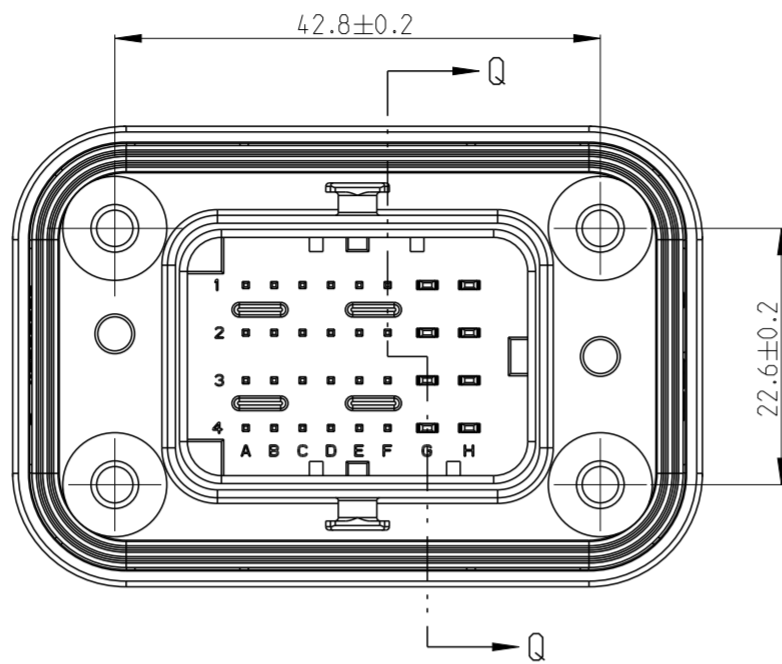
QTY PER ASSY PARTS		PARTS LIST			
2334366-1	DESCRIPTION	MATERIAL	COLOR/FINISH	ITEM NO.	
THIS DRAWING IS A CONTROLLED DOCUMENT.		DWN	G_YAN	04 JAN 2019	
DIMENSIONS: mm		CHK	W_WU	09 JAN 2019	
TOLERANCES UNLESS OTHERWISE SPECIFIED:		APVD	J_YIN	11 JAN 2019	
0 PLC	±0.3	PRODUCT SPEC			
1 PLC	±0.3	APPLICATION SPEC			
2 PLC	±0.3	WEIGHT			
3 PLC	±0.3	CUSTOMER DRAWING			
4 PLC	±0.3	SCALE 1:1 SHEET 1 OF 3 REV C3			
ANGLES	±	SIZE A2			
FINISH	-	CAGE CODE 00779			
		DRAWING NO C-2334366			
		RESTRICTED TO -			

THIS DRAWING IS UNPUBLISHED. RELEASED FOR PUBLICATION 20
 © COPYRIGHT 20 BY - ALL RIGHTS RESERVED.

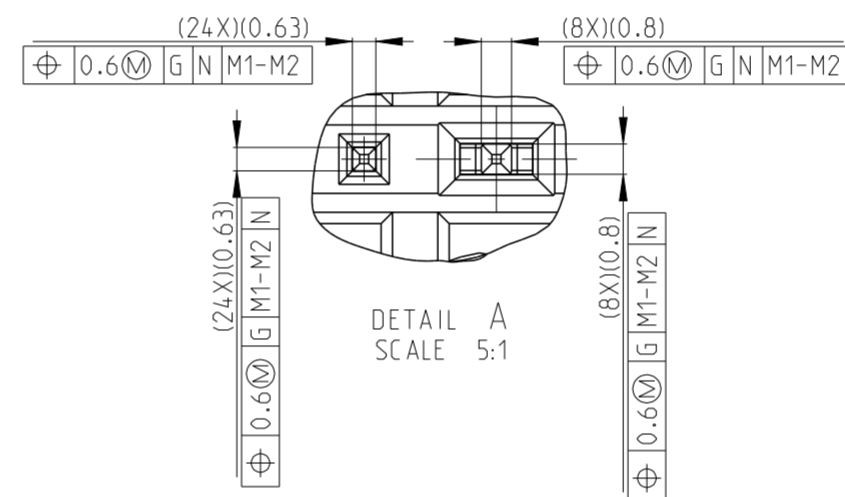
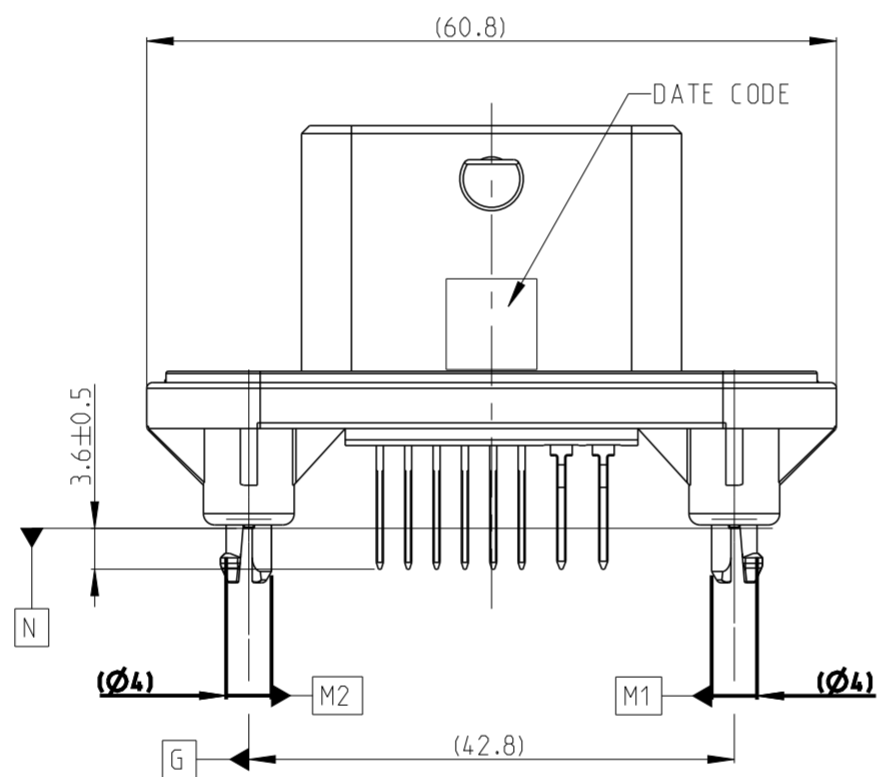
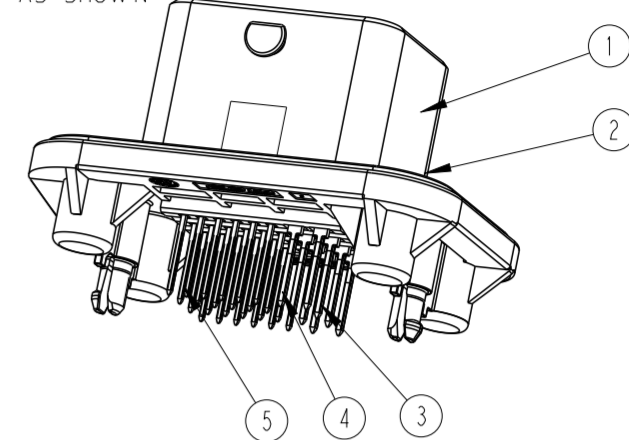
2334366-2 AS SHOWN
 OTHER DIMENSIONS ARE SAME AS 2334366-1



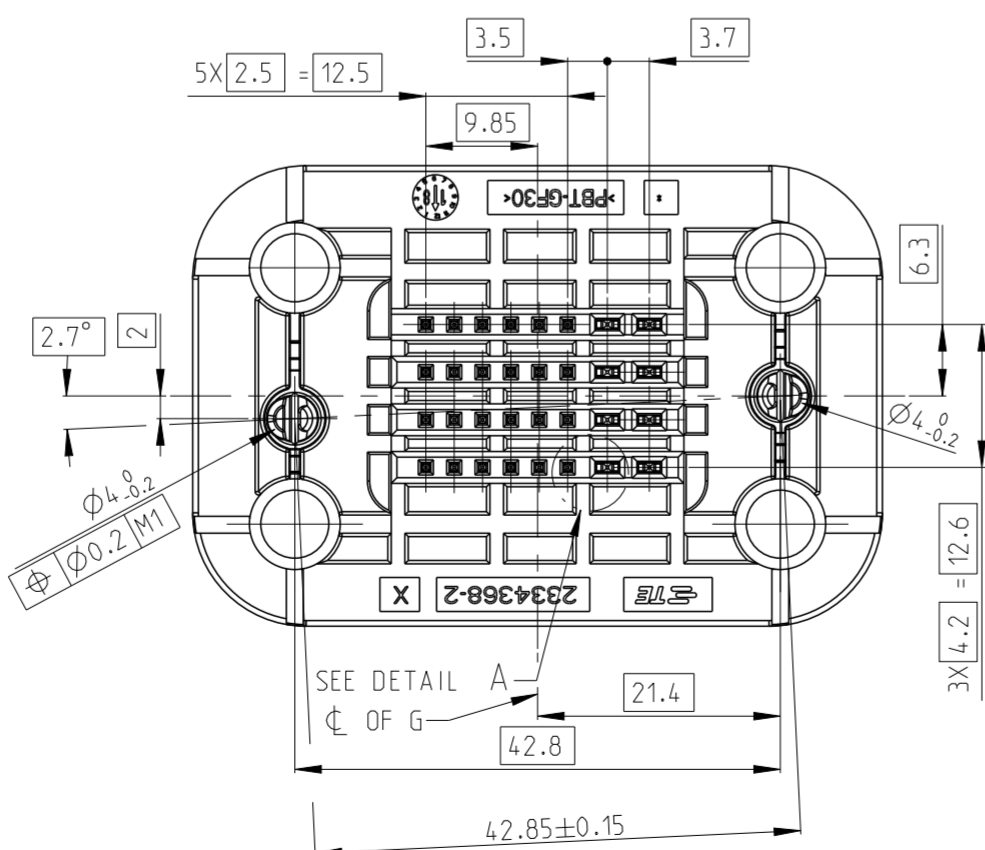
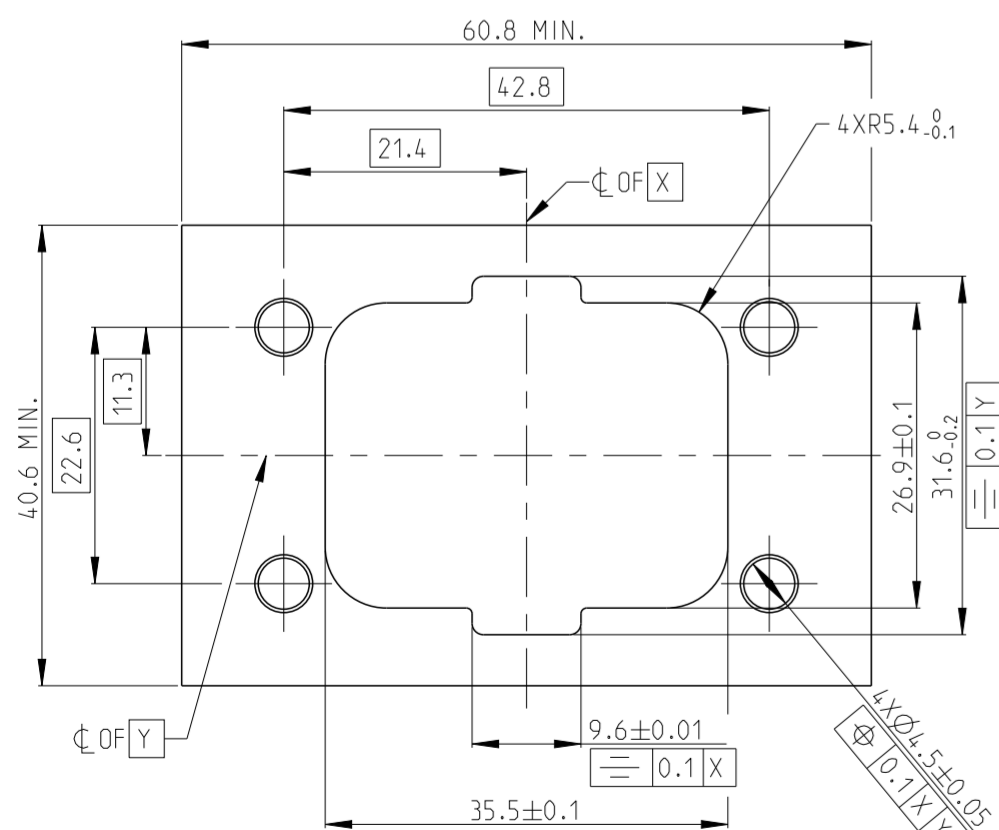
SECTION Q-Q



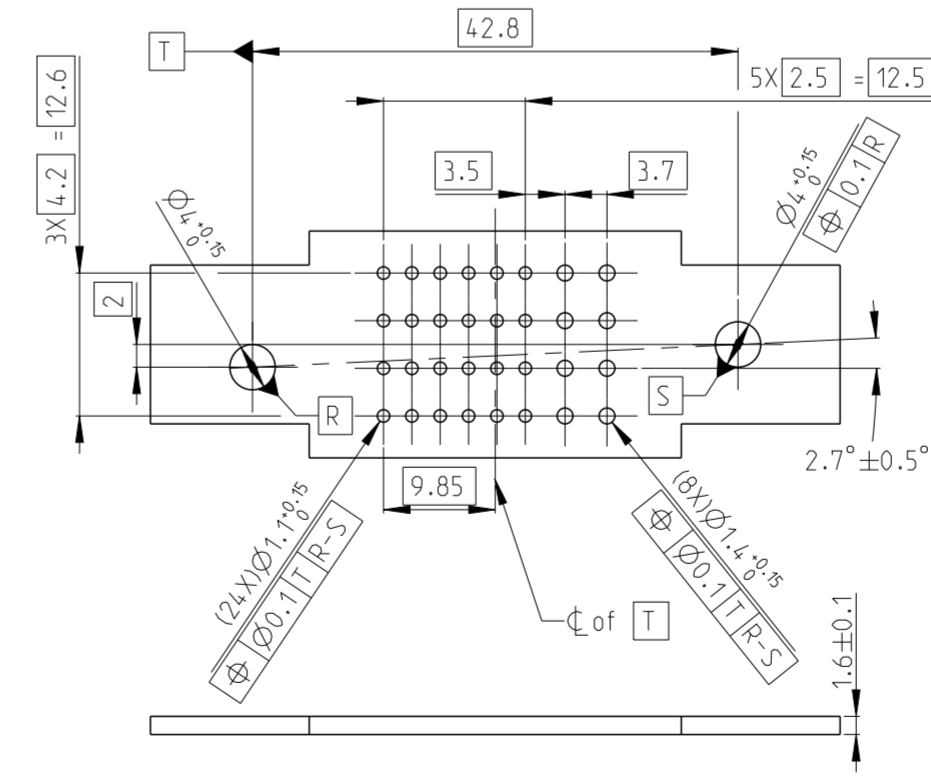
2334366-2 AS SHOWN



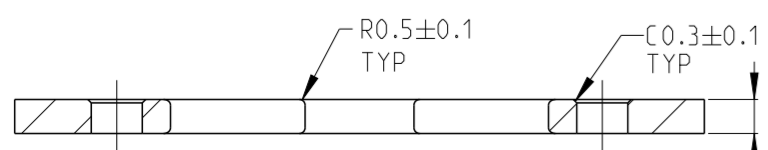
RECOMMEND THROUGH WALL INTERFACE:



RECOMMEND PCB LAYOUT:



- 1 SEE TABLE LIST.
- 2. CONTACT RETENTION FORCE:
 0.63 SIGNAL PIN 35N MIN;
 1.5 POWER PIN 70N MIN.
- 3. OPERATING TEMPERATURE RANGE: -40°C ~ +110°C(EXCEPT SELF-HEATING).
 STORAGE TEMPERATURE: -40°C ~ +125°C
- 4. MATED PLUG TE P/N: 2137299-6/2352158-6(LEVER LEFT); 2137299-8/
 2352225-1(LEVER RIGHT).
- 5. RECOMMEND SCREW TYPE: EJOT WN1452, M4X10, M4X12(PREFER).
 RECOMMEND TORQUE: 1.4+/-0.1Nm.



SECTION D-D

QTY	DESCRIPTION	MATERIAL	COLOR/FINISH	ITEM NO.
24	0.63x0.63 SIGNAL PIN	COPPER ALLOY	TIN OVER NICKEL	(5)
2	1.5x0.8 POWER PIN	COPPER ALLOY	TIN OVER NICKEL	(4)
6	1.5x0.8 POWER PIN	COPPER ALLOY	TIN OVER NICKEL	(3)
1	FACIAL SEAL	SILICONE	RED	(2)
1	180° HOUSING	PBT-GF30	BLACK	(1)
2334366-2	DESCRIPTION	MATERIAL	COLOR/FINISH	ITEM NO.

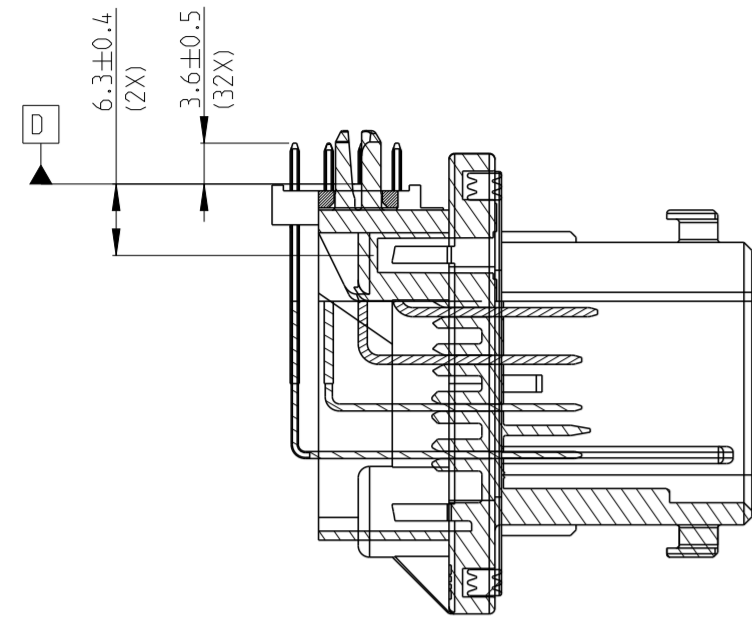
QTY PER ASSY PARTS		PARTS LIST				
DWN	G_YAN	04 JAN 2019	TE Connectivity NAME CMC 32P SEALED HEADER(90 DEGREE)			
CHK	W_WU	09 JAN 2019				
APVD	J_YIN	11 JAN 2019				
PRODUCT SPEC						
APPLICATION SPEC			SIZE	CAGE CODE	DRAWING NO	RESTRICTED TO
WEIGHT			A2	00779	C-2334366	-
CUSTOMER DRAWING			SCALE	1:1	SHEET	2 OF 3
			REV C3			

DIMENSIONS:		TOLERANCES UNLESS OTHERWISE SPECIFIED:	
mm		0 PLC	±0.3
		1 PLC	±0.3
		2 PLC	±0.3
		3 PLC	±0.3
		4 PLC	±0.3
MATERIAL		ANGLES	±
		FINISH	

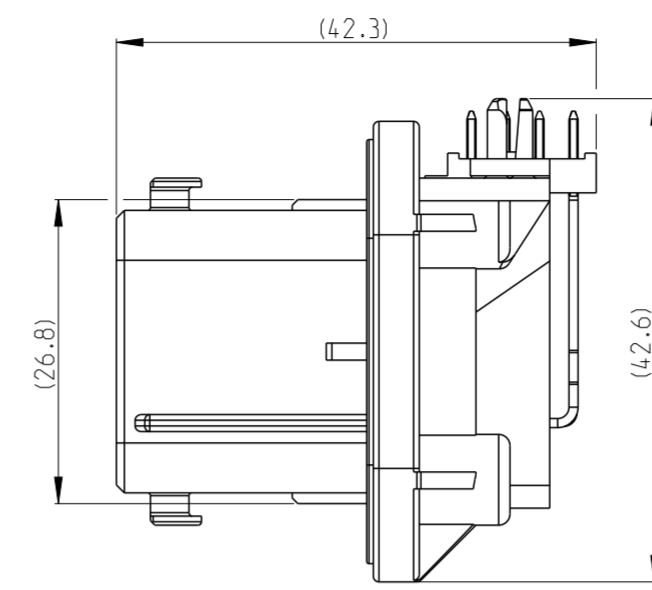
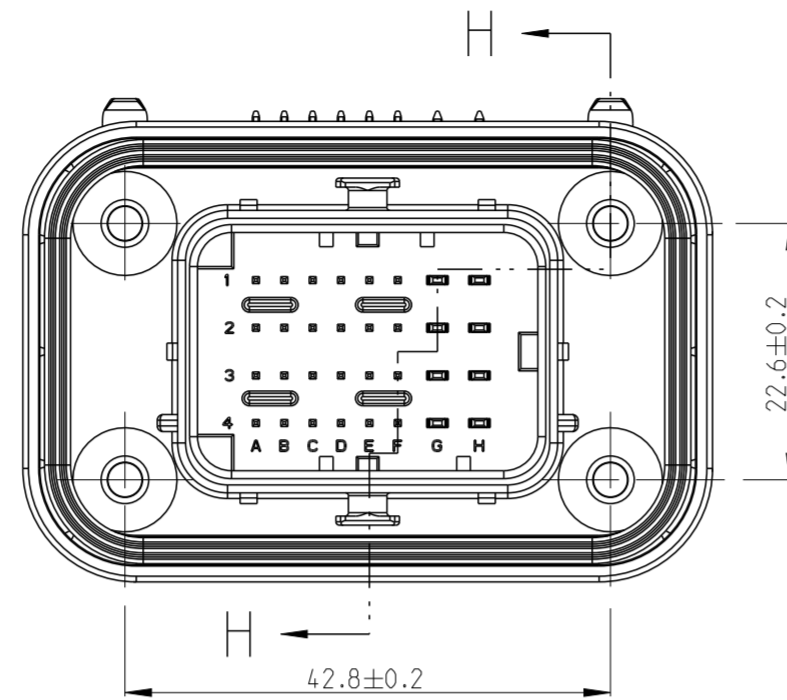
THIS DRAWING IS UNPUBLISHED. RELEASED FOR PUBLICATION 20
 © COPYRIGHT 20 BY - ALL RIGHTS RESERVED.

REVISIONS				
P	LTR	DESCRIPTION	DATE	DWN APVD
		SEE SHEET 1		

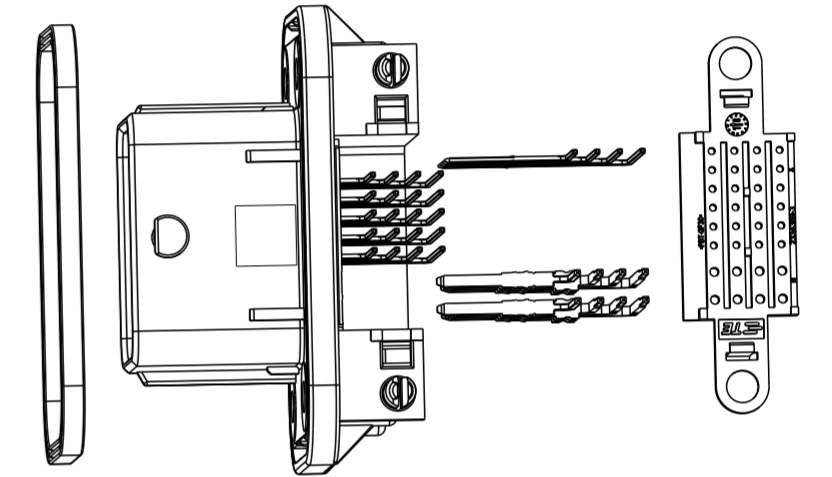
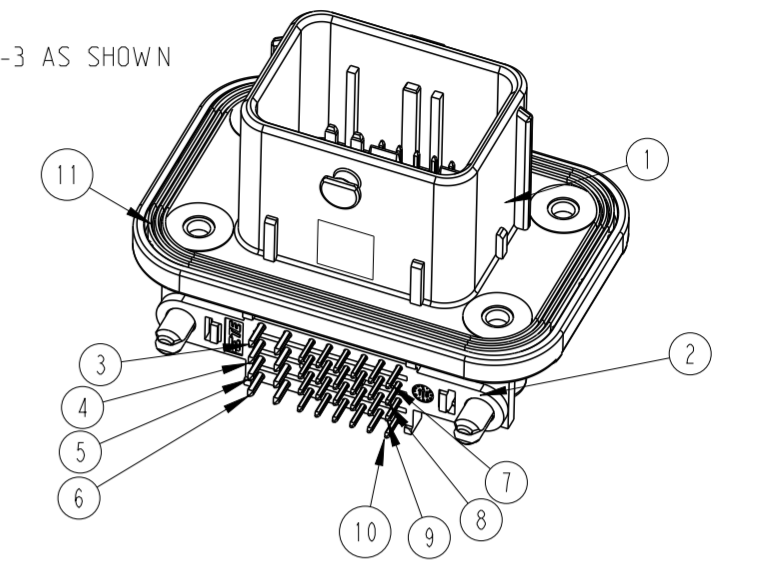
2334366-3 AS SHOWN



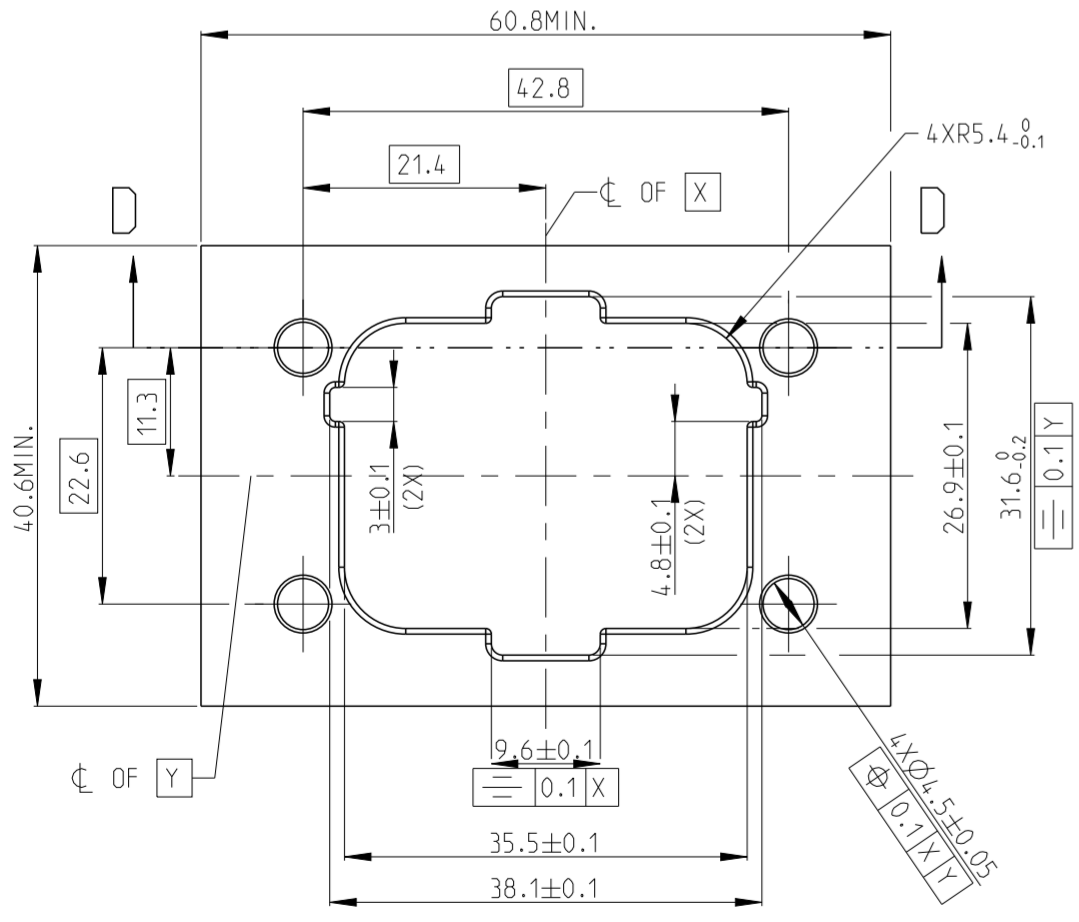
SECTION H-H



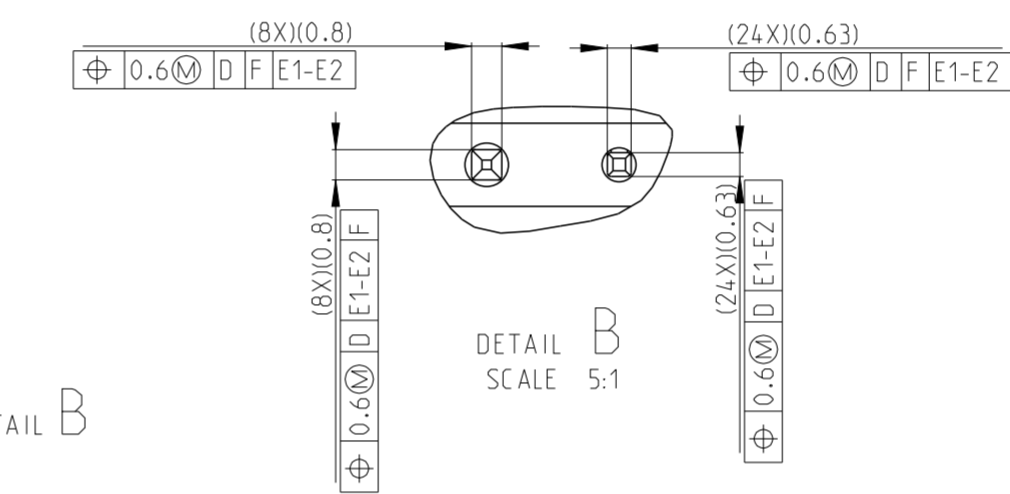
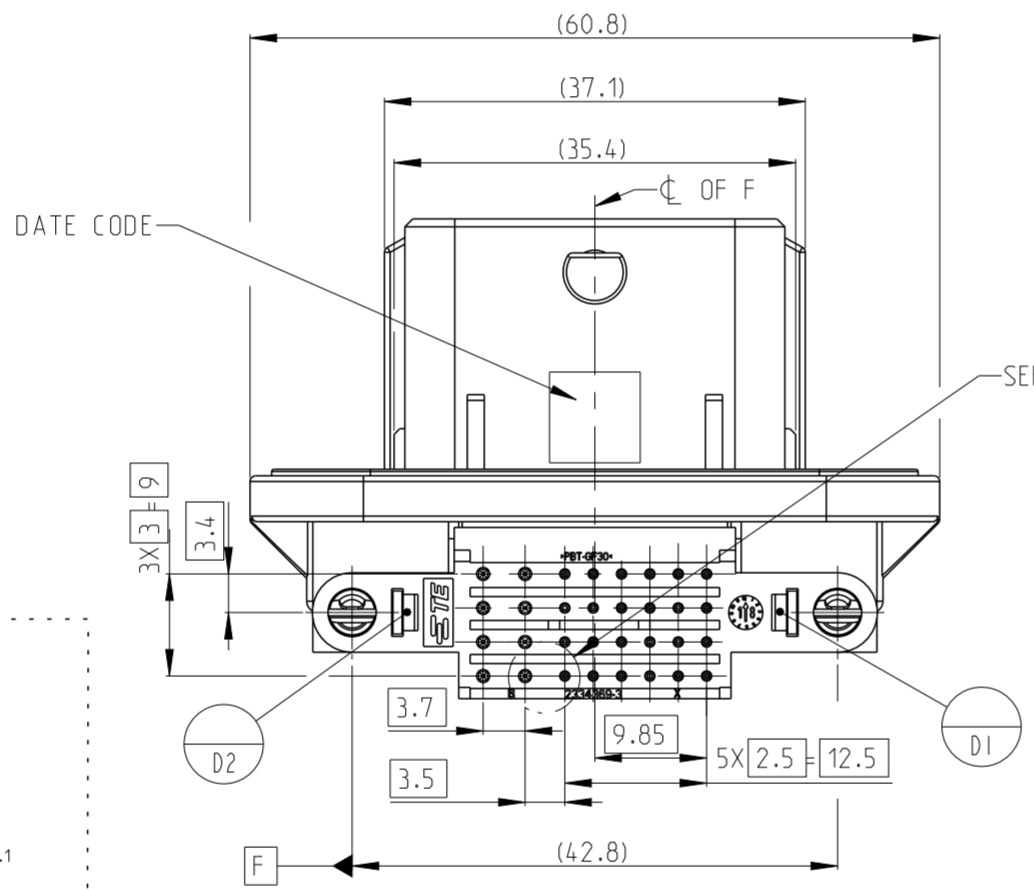
2334366-3 AS SHOWN



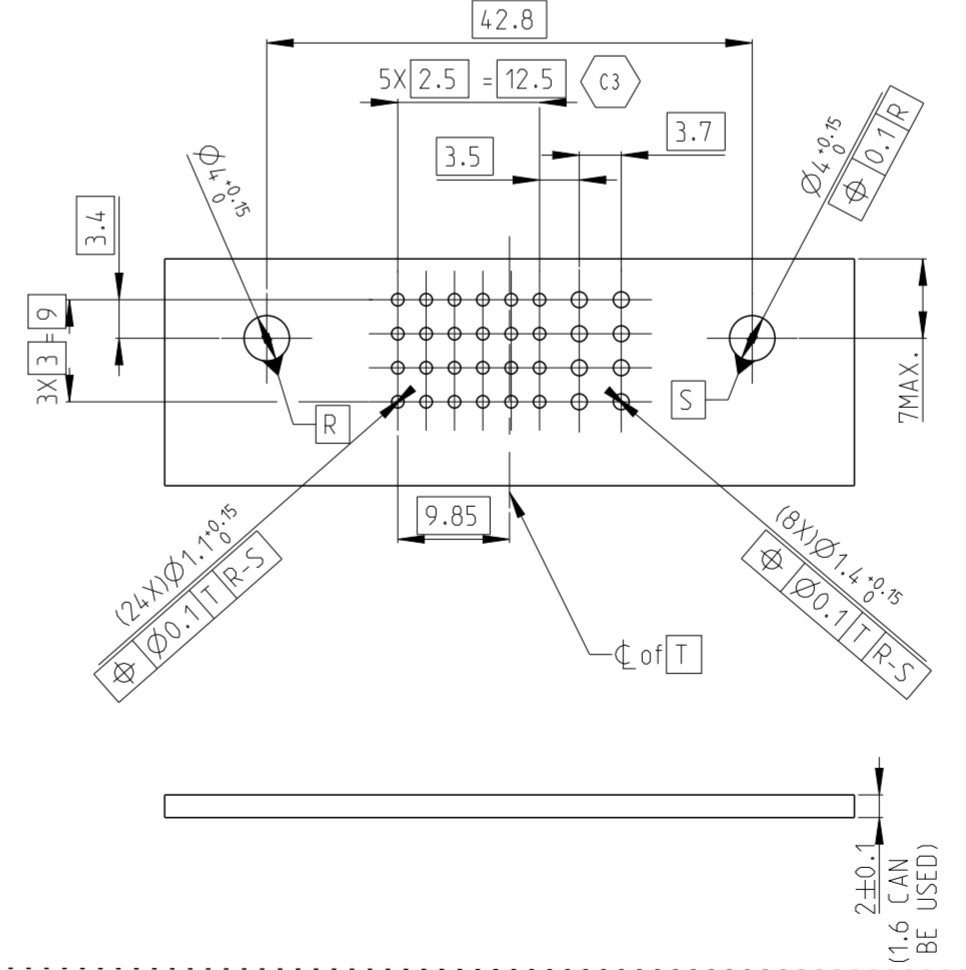
RECOMMEND THROUGH WALL INTERFACE:



SECTION D-D



RECOMMEND PCB LAYOUT:



- 1 SEE TABLE LIST.
- CONTACT RETENTION FORCE:
0.63 SIGNAL PIN 35N MIN.
1.5 POWER PIN 70N MIN.
 - OPERATING TEMPERATURE RANGE: -40°C ~ +110°C (EXCEPT SELF-HEATING).
STORAGE TEMPERATURE: -40°C ~ +125°C
 - MATED PLUG TE P/N: 2137299-6/2352158-6 (LEVER LEFT); 2137299-8/
2352225-1 (LEVER RIGHT).
 - RECOMMEND SCREW TYPE: EJOT WN1452, M4X10, M4X12 (PREFER).
RECOMMEND TORQUE: 1.4 +/- 0.1 Nm.

ITEM NO.	DESCRIPTION	MATERIAL	COLOR/FINISH	QTY PER ASSY PARTS
11	FACIAL SEAL	SILICONE	RED	1
10	0.63x0.63 SIGNAL PIN	COPPER ALLOY	TIN OVER NICKEL	2
9	0.63x0.63 SIGNAL PIN	COPPER ALLOY	TIN OVER NICKEL	2
8	0.63x0.63 SIGNAL PIN	COPPER ALLOY	TIN OVER NICKEL	2
7	0.63x0.63 SIGNAL PIN	COPPER ALLOY	TIN OVER NICKEL	2
6	1.5x0.8 POWER PIN	COPPER ALLOY	TIN OVER NICKEL	2
5	1.5x0.8 POWER PIN	COPPER ALLOY	TIN OVER NICKEL	2
4	1.5x0.8 POWER PIN	COPPER ALLOY	TIN OVER NICKEL	2
3	1.5x0.8 POWER PIN	COPPER ALLOY	TIN OVER NICKEL	2
2	JOINTER	PBT-GF30	BLACK	1
1	90° HOUSING	PBT-GF30	BLACK	1

THIS DRAWING IS A CONTROLLED DOCUMENT.

DIMENSIONS: mm

TOLERANCES UNLESS OTHERWISE SPECIFIED:

0 PLC	±0.3
1 PLC	±0.3
2 PLC	±0.3
3 PLC	±0.3
4 PLC	±0.3
ANGLES	±
FINISH	±

MATERIAL: 1

QTY PER ASSY PARTS PARTS LIST

DWN: G_YAN 04 JAN 2019
 CHK: W_WU 09 JAN 2019
 APVD: J_YIN 11 JAN 2019

NAME: CMC 32P SEALED HEADER(90 DEGREE)

STE TE Connectivity

SIZE: A2 CAGE CODE: 00779 DRAWING NO: C-2334366 RESTRICTED TO: -

WEIGHT: -

CUSTOMER DRAWING SCALE: 1:1 SHEET: 3 OF 3 REV: C3