

6

5

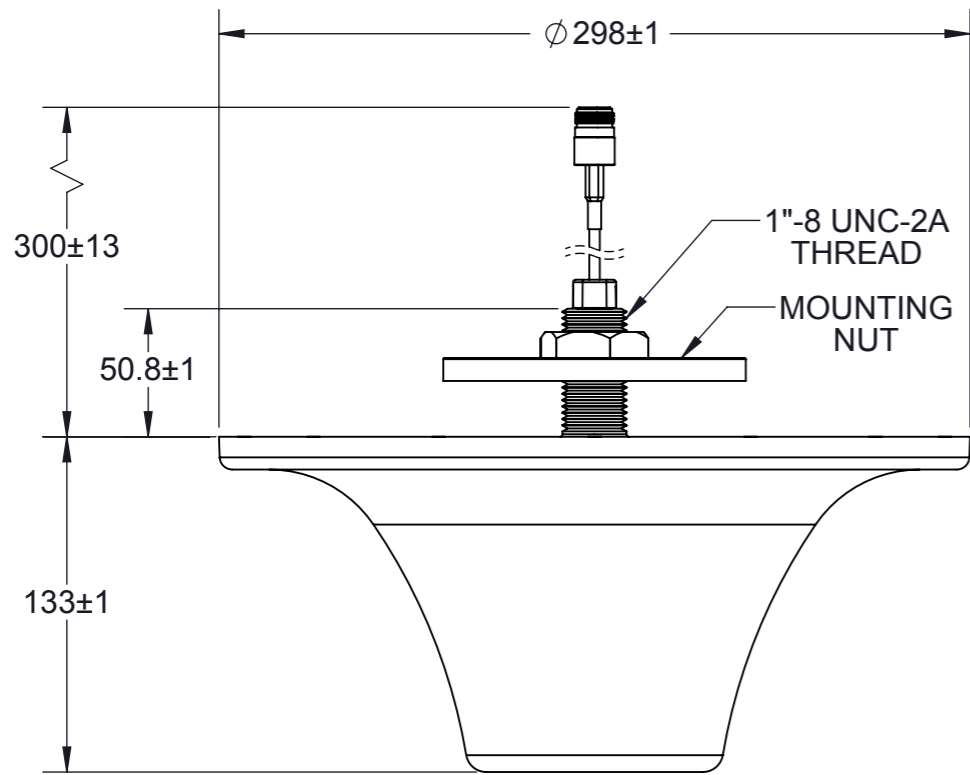
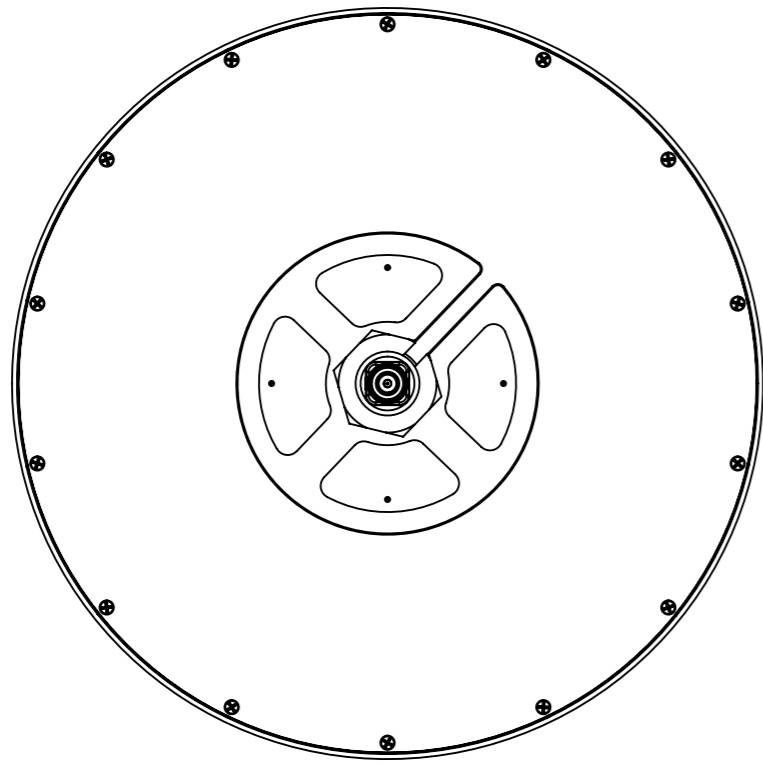
4

3

2

1

REVISIONS					
REV.	ECN#	ZONE	DESCRIPTION	CHANGED BY/DATE	APPROVED BY/DATE
F01	ECN-IAS-03859		PRODUCTION RELEASE	S.J. 25MAR15	S.J. 25MAR15
F02	ECN-IAS-04410		CHGD CHART, FREQ 6 OUT 8 AND CHGD ALL GAIN VALUES AND ADDED ANOTHER GAIN ROW.	M.L. 30JUL15	H.R. 30JUL15
F03	ECN-IAS-04757		1390-1435MHZ FREQUENCY WAS 1395-1435MHZ	S.J. 19OCT15	H.R. 19OCT15



Parameter	Performance
Laird Model Number	CMS38606-30NF
Frequency	380-520MHz
	600-960MHz
	1390-1435MHz
	1690-6000MHz
VSWR 380-520MHz	3.0:1 Max
VSWR 600-960,1390-6000MHz	2.0:1 Max
Max Gain	2.6dBi @ 380-520MHz
	3.1dBi @ 600-960MHz
	5.8dBi @ 1390-1435MHz
	7.3dBi @ 1690-6000MHz
Polarization	Vertical
Impedance	50Ω
Power	50W @ ambient temp 25 °C (77 °F)
RF Connector	Type N(f)
Radome Color	White
Operating Temperature	- 30 °C to +70 °C
Storage Temperature	- 40 °C to +85 °C
Water/Foreign Body Ingress	IP-67
Antenna Weight	0.8kg (1.76lbs)
Flammability	UL94-V0

MATERIAL: N/A		THIRD ANGLE PROJECTION 	MANCHESTER, NH 03103 USA
FINISH: N/A			
APPROVALS		DO NOT SCALE DRAWING	TITLE: CMS38606-30NF MOUNTING & OUTLINE
DRAWN BY	S. JOHNSON	INTERPRET DIMENSIONING AND TOLERANCING IN ACCORDANCE WITH ASME Y14.5M-2009	
ELEC. ENG.	Y. XU		
MECH. ENG.	E. RUSSELL		
MFG./OPS.	B. THATCHER	TOLERANCES UNLESS OTHERWISE SPECIFIED	SIZE A3
		DIMENSIONS ARE IN MILLIMETERS	DWG. NO. CMS38606-30NFMO
		ANGLE: 0 PLACE DECIMAL: ±30' 1 PLACE DECIMAL: ±0.5 2 PLACE DECIMAL: ±0.25 SURFACE ROUGHNESS 1.6/√	REV F03
			SCALE: 1:3 PREVIOUS# SHEET 1 OF 2

UNLESS OTHERWISE NOTED, THIS DOCUMENT CONTAINS LAIRD TECHNOLOGIES CONFIDENTIAL INFORMATION. REPRODUCTION, USE, DISCLOSURE OR TRANSMITTAL OF ALL OR ANY PART OF THIS DOCUMENT IS PROHIBITED EXCEPT TO THE EXTENT APPROVED IN WRITING BY AN AUTHORIZED REPRESENTATIVE OF LAIRD TECHNOLOGIES. LAIRD TECHNOLOGIES RESERVES ALL RIGHTS UNDER PATENTS, TRADEMARKS, COPYRIGHTS AND TRADE SECRETS. COPYRIGHT, LAIRD TECHNOLOGIES 2014. ALL RIGHTS RESERVED.

6

5

4

3

2

1

6

5

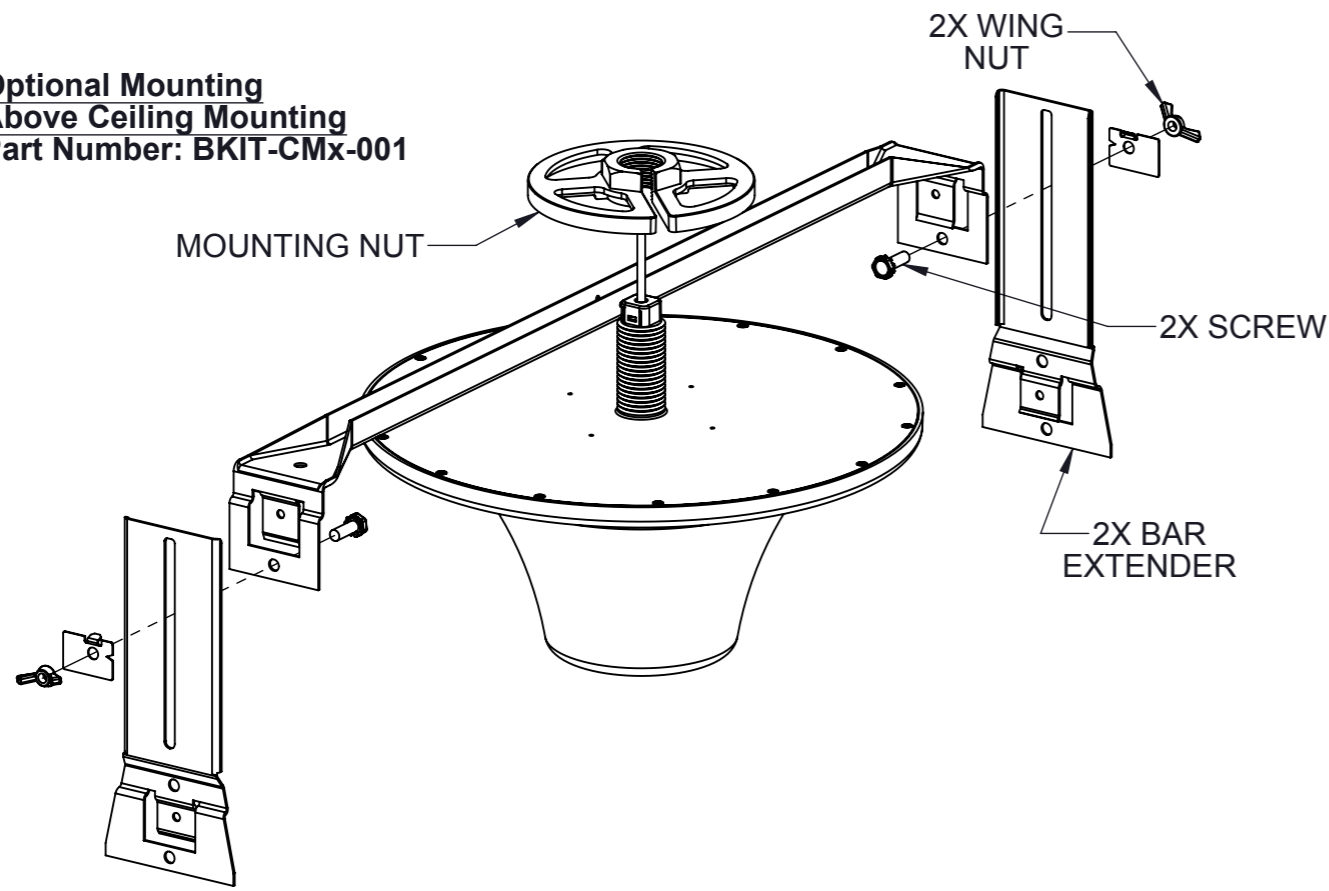
4

3

2

1

**Optional Mounting
Above Ceiling Mounting
Part Number: BKIT-CMx-001**



MOUNTING NUT

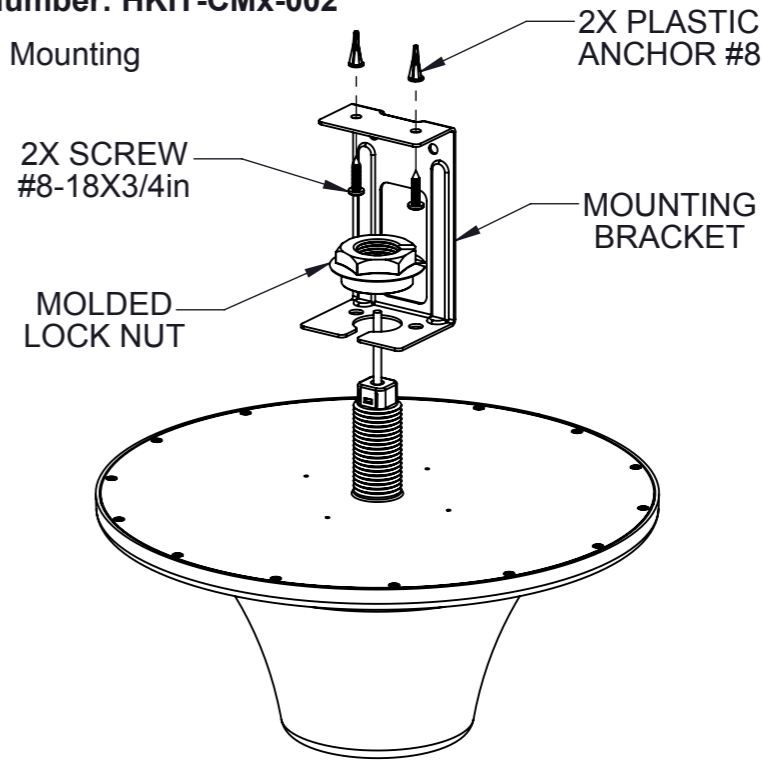
2X WING NUT

2X SCREW

2X BAR EXTENDER

**Optional Mounting
Hard Ceiling Mounting
Part Number: HKIT-CMx-002**

1. Top Mounting



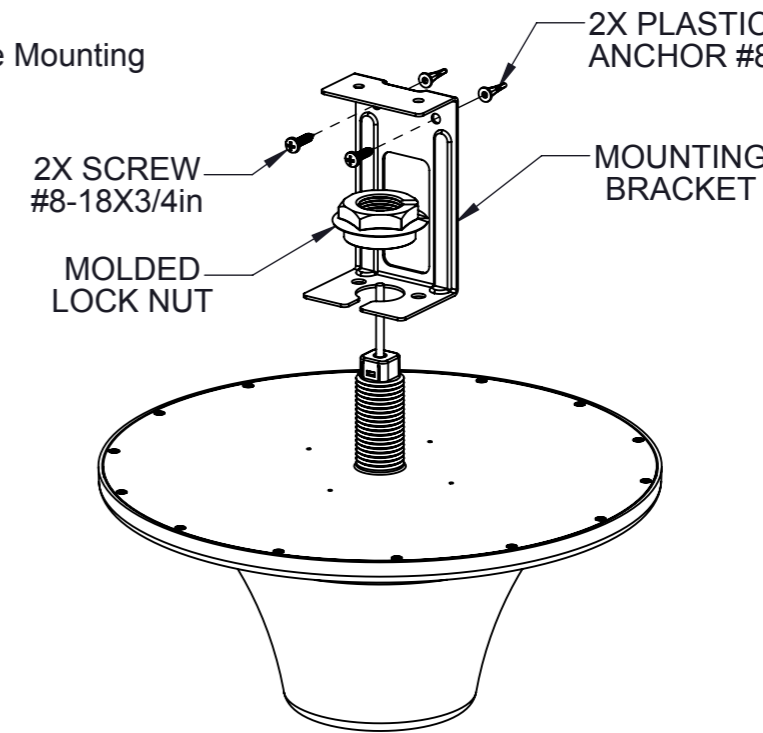
2X SCREW #8-18X3/4in

2X PLASTIC ANCHOR #8

MOUNTING BRACKET

MOLDED LOCK NUT

2. Side Mounting



2X SCREW #8-18X3/4in

2X PLASTIC ANCHOR #8

MOUNTING BRACKET

MOLDED LOCK NUT

CEILING GRID T-BAR

NOTE: THESE OPTIONAL MOUNTING KITS **ARE NOT** INCLUDED WITH THE ANTENNA AND CAN BE PURCHASED SEPERATELY



MANCHESTER, NH 03103
USA

SIZE	DWG. NO.	REV
A3	CMS38606-30NFMO	F03
SCALE: 1:4	PREVIOUS#	SHEET 2 OF 2

6

5

4

3

2

1