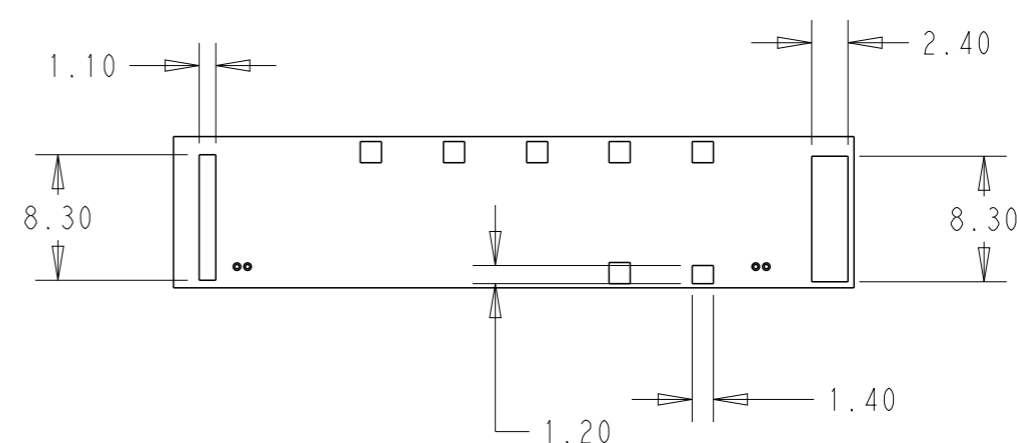
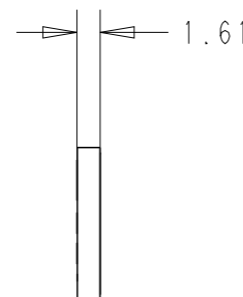
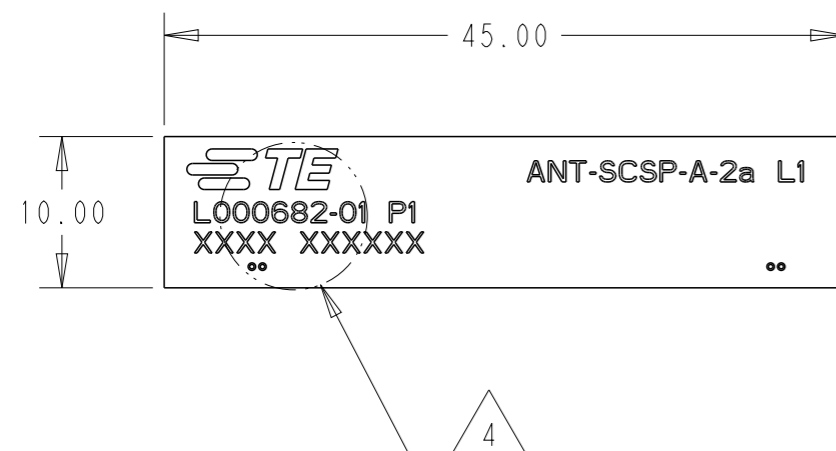


P	LTR	DESCRIPTION	DATE	DWN	APVD
	A	REVISED PER ECN-23-232610	25SEP2023	SJ	JH



AS SHOWN L000682-01

NOTES: UNLESS OTHERWISE SPECIFIED.

1. FABRICATE TO MEET IPC - 6012, CLASS 2.
INSPECT TO MEET IPC - A - 600, CLASS 2.

2. MATERIAL: FR-4 PCB , THK 1.61

3. FINISH:
A: PLATING : 1 OZ COPPER (FOR THROUGH HOLE)
B: SOLDERMASK OVER BASE COPPER (SMOBS)
C: SOLDERMASK COLOR : ORANGE
D: (ENIG) ELECTROLESS NICKEL IMMERSION GOLD
FINISH 0.03um MIN. GOLD OVER 3um MIN NICKEL.

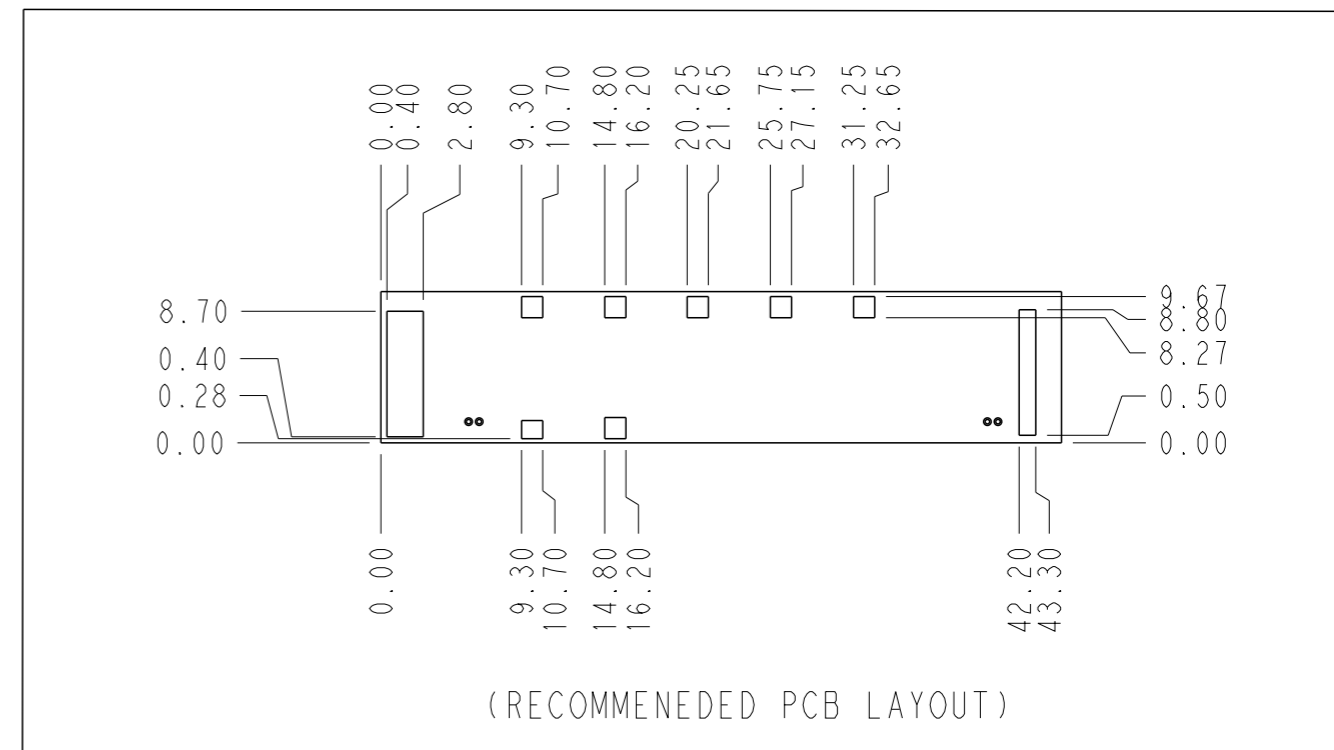
4 SILKSCREEN; WHITE EPOXY INK
A. TE LOGO, TE P/N
B. WORD REV. , FOLLOWED BY THE LATEST REVISION LETTER, AS SHOWN.
C. 4 DIGIT DATE CODE: FIRST 2 DIGITS FOR THE WEEK CODE AND THE 2ND TWO DIGITS FOR THE YEAR CODE.
OTHERS: SPECIFIC TE SOURCE CODE NUMBER DIGITS AS REQUIRED

5. CONSULT TE CONNECTIVITY DATA SHEET : L000682-01.

6. CONTACT TE CONNECTIVITY ENGINEERING PRIOR TO DESIGNING INTO AN APPLICATION.

7. PACKAGING: TAPE AND REEL PACKAGED, SEE SHEET 2.

8. REFER TO RF TEST EVALUATION BOARD SEE SHEET 3.

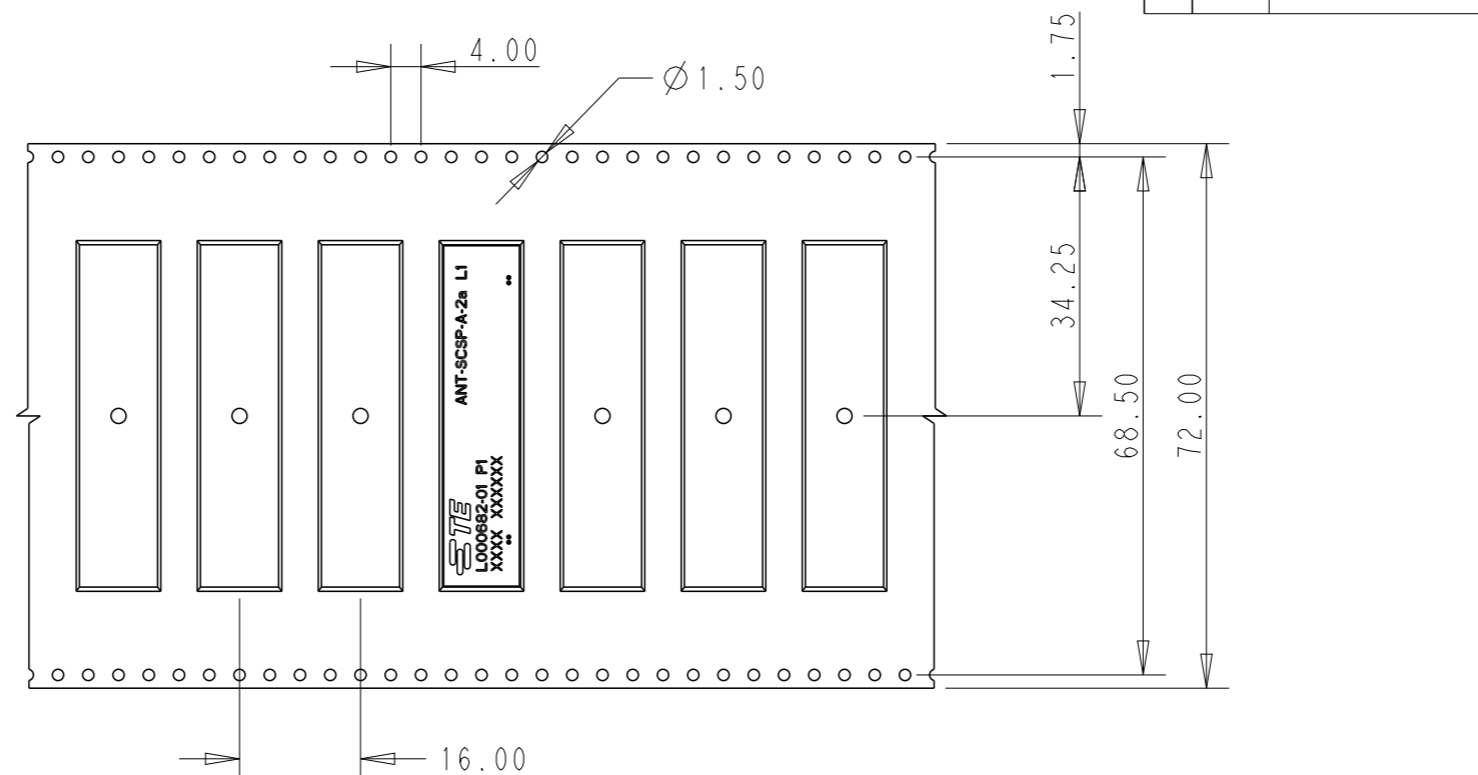


TAPE AND REELED	L000682-01
PACKAGING	PART NUMBER

THIS DRAWING IS A CONTROLLED DOCUMENT.		DWN	SJ, NOH	27JUL2023	 TE Connectivity	NAME		PCB ANT, SMD, SCSP A-2a,	
DIMENSIONS:		CHK	-	27JUL2023		PRODUCT SPEC		-	
mm		APVD	JH, KIM	27JUL2023		APPLICATION SPEC		-	
		TOLERANCES UNLESS OTHERWISE SPECIFIED:		WEIGHT		-		RESTRICTED TO	
MATERIAL		FINISH		SIZE		CAGE CODE		DRAWING NO	
TBD		-		A3		00779		G=L000682	
-		finish_spec_2		CUSTOMER DRAWING		SCALE		SHEET	
						2:1		1 OF 3	
								REV A	

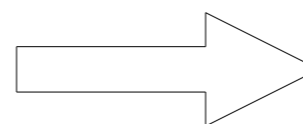
REVISIONS

P	LTR	DESCRIPTION	DATE	DWN	APVD
-	-	SEE SHEET 1	-	-	-



AS SHOWN L000682-01

USER DIRECTION OF UREELING



NOTES: UNLESS OTHERWISE SPECIFIED.

1. MATERIALS FOR CARRIER TAPE TO BE SELECTED BY SUPPLIER AND APPROVED BY TE CONNECTIVITY.

2. ORIENT PARTS AS SHOWN.

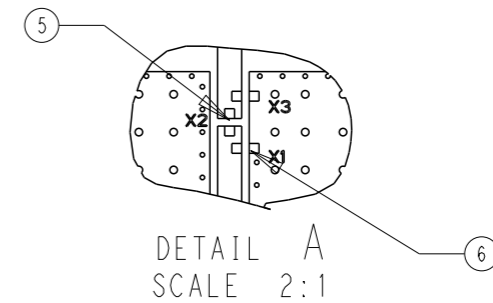
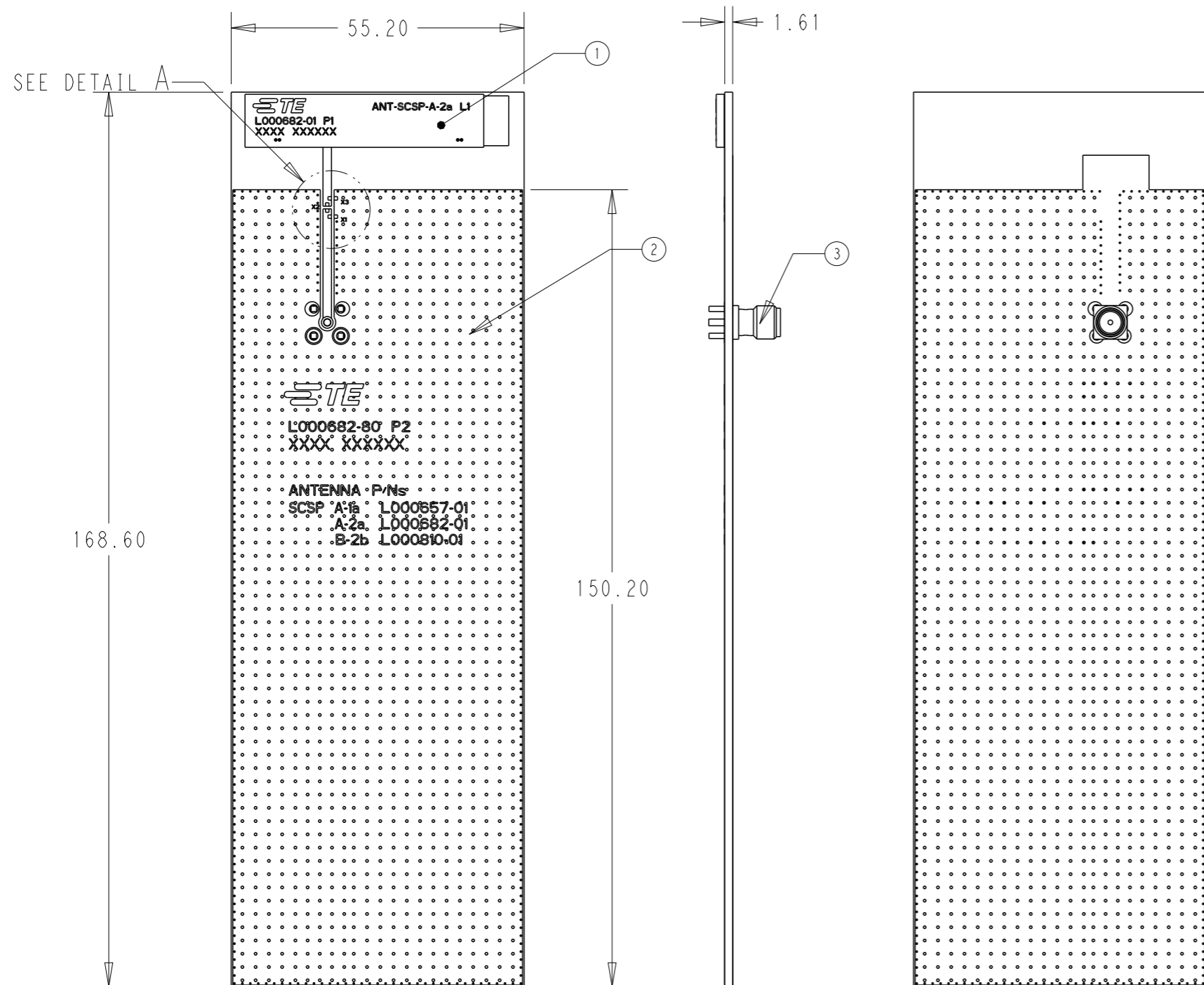
3. MATERIALS FOR COVER TAPE TO BE SELECTED BY SUPPLIER AND APPROVED BY TE CONNECTIVITY.

4. PARTS MUST CONFORM TO E.I.A STANDARDS.

5. PARTS ARE COMPLIANT TO RoHS STANDARDS PER TE CONNECTIVITY. STANDARD TEC-138-70.

THIS DRAWING IS A CONTROLLED DOCUMENT.		DWN	SJ.NOH	27JUL2023	
DIMENSIONS: mm		CHK	-	27JUL2023	
TOLERANCES UNLESS OTHERWISE SPECIFIED:		APVD	JH.KIM	27JUL2023	
0 PLC ±- 1 PLC ±- 2 PLC ±- 3 PLC ±- 4 PLC ±- ANGLES ±-		PRODUCT SPEC	NAME PCB ANT, SMD, SCSP A-2a,		
MATERIAL TBD	FINISH -	APPLICATION SPEC	-		SIZE A3
-	finish_spec_2	WEIGHT -	CAGE CODE	00779	DRAWING NO
CUSTOMER DRAWING			G=L000682		RESTRICTED TO -
SCALE 1:1			SHEET 2 OF 3		REV A

P	LTR	DESCRIPTION	DATE	DWN	APVD
-	-	SEE SHEET 1	-	-	-



AS SHOWN L000682-80

L000682-80
PART NUMBER

QTY	DESCRIPTION	ITEM
1	"X2" RESISTOR 0ohm	5
1	"X1" INDUCTOR 15nH	4
1	SMA PCB VERT CONNECTOR	3
1	EVALRATION BORD	2
1	PCB ANTENNA	1

THIS DRAWING IS A CONTROLLED DOCUMENT.		DWN SJ.NOH	27JUL2023	STE TE Connectivity
DIMENSIONS: mm		CHK -	27JUL2023	
TOLERANCES UNLESS OTHERWISE SPECIFIED:		APVD JH.KIM	27JUL2023	NAME PCB ANT, SMD, SCSP A-2a, - -
0 PLC ±-		PRODUCT SPEC -	APPLICATION SPEC -	
1 PLC ±-		WEIGHT -	SCALE 2:1	RESTRICTED TO -
2 PLC ±-		MATERIAL TBD	SIZE A3	CAGE CODE 00779
3 PLC ±-			DRAWING NO C=L000682	SHEET 3 OF 3
4 PLC ±-		FINISH -	CUSTOMER DRAWING	REV A
ANGLES ±-		finish_spec_2		