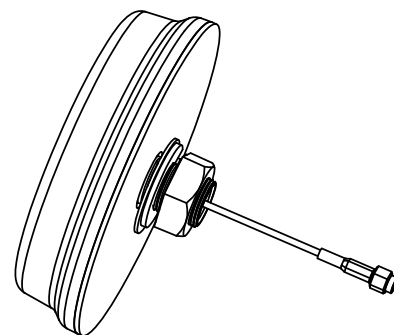
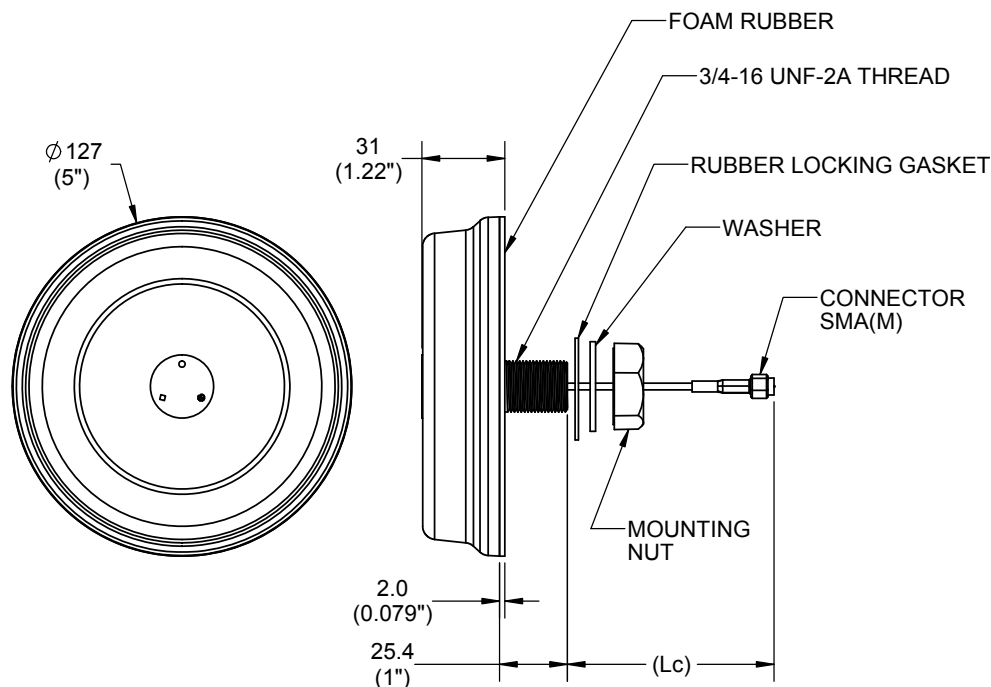


REVISIONS					
REV.	ECN#	ZONE	DESCRIPTION	CHANGED BY/DATE	APPROVED BY/DATE
F01	ECN-IAS-04310		INITIAL RELEASED	YS TAN/ 03JUL15	HANG/ 03JUL15




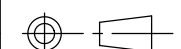
Parameter	Performance							
Laird Part Number	LPS69273NT-61SMAM							
Antenna Type	SISO Omni							
Connector Type	SMA(M)							
Cable Type	RG316							
Pigtail Length, Lc	610mm ±15mm (2ft ±0.05ft)							
Frequency Bands, MHz	698-806	824-894	880-960	1710-1880	1850-1990	1910-2170	2300-2500	2500-2700
Peak Gain, dBi (Typ)								
On Metal Housing	2.1	0.7	1.7	5.4	4.6	4.5	3.4	3.7
On Plastic Housing w/ Ground Plane Kit	2.4	1.1	2.3	5.5	4.4	4.0	3.8	3.8
Peak Gain, dBi (Max)								
On Metal Housing	2.5	1.1	2.3	5.9	4.8	4.9	3.8	4.0
On Plastic Housing w/ Ground Plane Kit	2.9	1.4	3.1	5.9	5.3	4.3	4.4	4.3
Maximum VSWR	3.0:1							
Nominal Impedance	50Ω							
Max Power (Ambient temp of 25°C)	10 Watts							
Polarization	Linear, Vertical							
Azimuth Beam Width	Omnidirectional							
Weight	Approximately 0.2Kg (0.44lb)							
Storage Temperature (°C)	-40° C to +85° C (-40°F to +185°F)							
Operational Temperature (°C)	-30° C to +70° C (-22°F to +158°F)							
Outdoor Rated	Yes, IP67							
Radome	PC, UL94 V-0 Rating, Black							
RoHS	Yes							

## Note:

- \*Metal housing test condition is represented by a 300mm (1ft) diameter aluminum plate. For plastic housing with hardware kit test condition, it is represented by a 260x260x2.7mm (10.24"x10.24"x0.1") plastic plate placed over a 300mm (1ft) diameter aluminum plate.
- Patent Pending.

The component(s), including any plating, finishes, coatings, chemicals and surfaces treatments, supplied in this document/drawing must conform and comply with the latest issue of Laird Technologies Specification LT-GES-001, which fully includes but is not limited to all contents of EU Directives 2011/65/EC (RoHS Directive), as well as includes requirements of the Joint Industry Guide standard JIG-101, April 2005. The component(s) in this document/drawing may be subject to a full compound analysis for proof of compliance. The latest issue of Laird Technologies Specification LT-GES-001, (General Specification for the Environment) is readily available upon request from the supplier.

UNLESS OTHERWISE NOTED, THIS DOCUMENT CONTAINS LAIRD TECHNOLOGIES CONFIDENTIAL INFORMATION. REPRODUCTION, USE, DISCLOSURE OR TRANSMITTAL OF ALL OR ANY PART OF THIS DOCUMENT IS PROHIBITED EXCEPT TO THE EXTENT APPROVED IN WRITING BY AN AUTHORIZED REPRESENTATIVE OF LAIRD TECHNOLOGIES. LAIRD TECHNOLOGIES RESERVES ALL RIGHTS UNDER PATENTS, TRADEMARKS, COPYRIGHTS AND TRADE SECRETS. COPYRIGHT, LAIRD TECHNOLOGIES 2014, ALL RIGHTS RESERVED.

MATERIAL: N/A		THIRD ANGLE PROJECTION		 IAS, PENANG MALAYSIA	
FINISH: N/A		 DO NOT SCALE DRAWING			
APPROVALS		DATE		TITLE:	
DRAWN BY	YS TAN	03JUL15		MOUNTING & OUTLINE LPS69273NT-61SMAM	
ELEC. ENG.	XW TEOH	03JUL15			
MECH. ENG.	YS TAN	03JUL15		SIZE	
MFG./OPS.	CH FONG	03JUL15		A3	
				DWG. NO.	
				LPS69273NT-61SMAMMO	
				REV	
				F01	
				SCALE: 1:2	
				PREVIOUS#	
				SHEET 1 OF 1	