

6

5

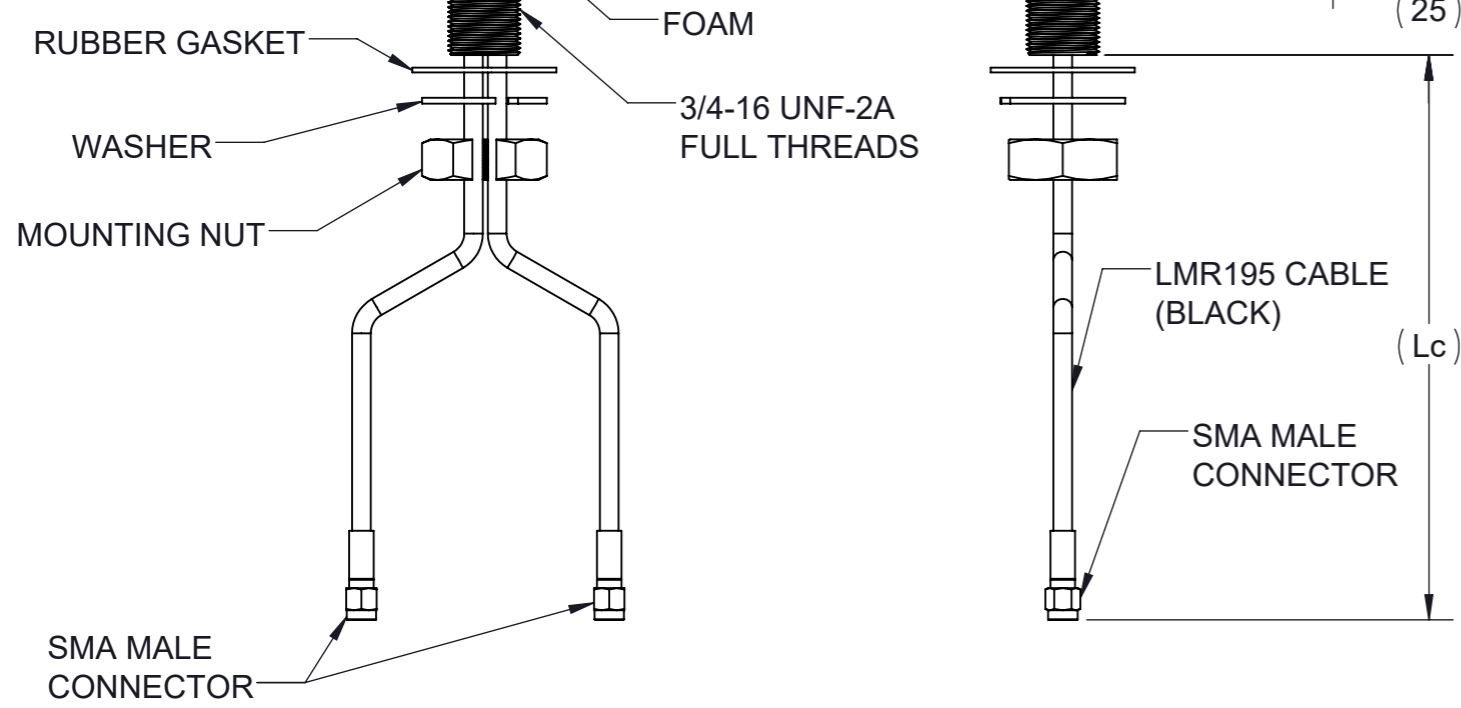
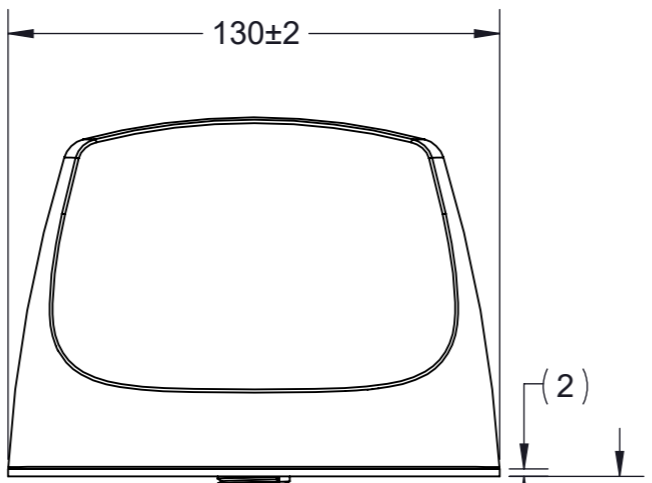
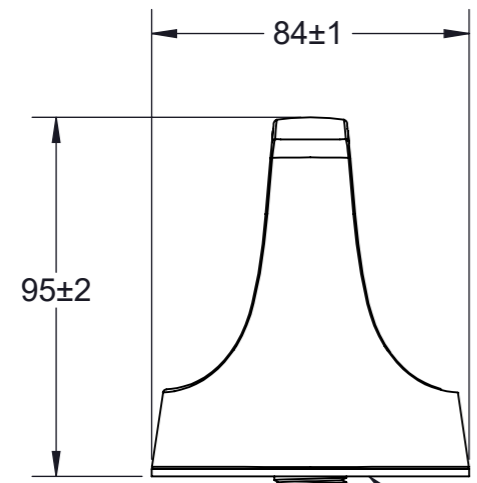
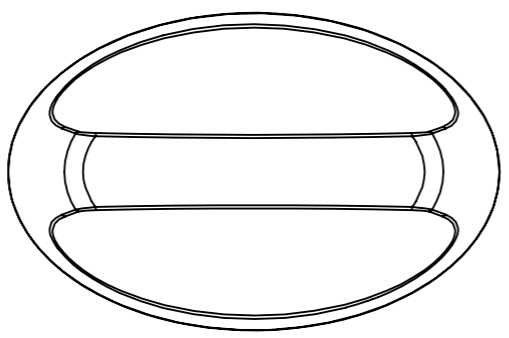
4

3

2

1

REVISIONS					
REV.	ECN#	ZONE	DESCRIPTION	CHANGED BY/DATE	APPROVED BY/DATE
F01	ECO-19-00436		INITIAL RELEASE	YJ TEOH 15AUG19	WT NG 15AUG19



**RF Spec Summary**

PARAMETER	SPECIFICATIONS										
Antenna Model	MTRA61274CB2-001										
No. of Ports	2 (2-Ports LTE)										
Frequency Bands, MHz	LTE Port-1 / LTE Port-2										
	617-698	698-824	824-894	880-960	1350-1550	1690-1880	1850-1990	1910-2180	2300-2500	2500-2700	
Peak Gain**, dBi (Average)	2.4	3.1	2.8	2.7	2.7	3.6	3.9	3.5	3.6	2.9	
Peak Gain**, dBi (Max)	3.2	4.0	4.0	3.4	4.7	4.1	4.1	4.2	4.0	3.4	
VSWR* (Max)	2.5										
VSWR* (Average)	Port 1	<1.4	<1.8	<1.9	<1.9	<1.5	<1.3	<1.4	<1.8	<1.8	<1.9
	Port 2	<1.4	<1.8	<1.9	<1.9	<1.5	<1.3	<1.4	<1.8	<1.8	<1.8
Port-to-Port Isolation LTE1-to-LTE2	-8	-10	-10	-10	-15	-17	-18	-18	-18	-25	
Nominal Impedance	50 Ω										
Polarization	Linear Vertical										
Azimuth Beam Width	360°, Omnidirectional										
Input Power, Max	50 Watts										
Operating Temperature	-30°C to +70°C (-22°F to +158°F)										
Storage Temperature	-40°C to +85°C (-40°F to +185°F)										
Dimensions (Length x Width x Height)	130 x 84 x 95 mm (5.12 x 3.31 x 3.74 in)										
Weight	343 g (12.1 oz)										
Connector	SMA-Male										
Cable Type	LMR195 (Black)										
Cable - Exposed Length	610 +/- 25 mm (24 +/- 1 in)										
Radome/Baseplate Material	PC, UL94 V0 Rating, UV Stable (Black)										
Material Compliance	RoHS										
Ingress Protection	IP67										

(\*/\*\* Measured on 1ft metal ground plane)

<b>MATERIAL:</b>		THIRD ANGLE PROJECTION	
<b>FINISH:</b>		DO NOT SCALE DRAWING	
APPROVALS	DATE	INTERPRET DIMENSIONING AND TOLERANCING IN ACCORDANCE WITH ASME Y14.5M-2009 <b>TOLERANCES UNLESS OTHERWISE SPECIFIED</b> DIMENSIONS ARE IN MILLIMETERS ANGLE: ±30' 0 PLACE DECIMAL: ±0.5 1 PLACE DECIMAL: ±0.25 2 PLACE DECIMAL: ±0.13 SURFACE ROUGHNESS 1.6/√	
DRAWN BY	YJ TEOH		22JUL19
ELEC. ENG.	PETER HENG		22JUL19
MECH. ENG.	WT NG		22JUL19
MFG./OPS.	GL YEAP		22JUL19

IAS, PENANG MALAYSIA

**TITLE:**

**2 PORT PHANTOM MOUNTING & OUTLINE**

SIZE	DWG. NO.	REV
<b>A3</b>	<b>MTRA61274CB2-001MO</b>	<b>F01</b>
SCALE: 1:2	PREVIOUS#	SHEET 1 OF 1

UNLESS OTHERWISE NOTED, THIS DOCUMENT CONTAINS LAIRD CONFIDENTIAL INFORMATION. REPRODUCTION, USE, DISCLOSURE OR TRANSMITTAL OF ALL OR ANY PART OF THIS DOCUMENT IS PROHIBITED EXCEPT TO THE EXTENT APPROVED IN WRITING BY AN AUTHORIZED REPRESENTATIVE OF LAIRD. LAIRD RESERVES ALL RIGHTS UNDER PATENTS, TRADEMARKS, COPYRIGHTS AND TRADE SECRETS. COPYRIGHT, LAIRD 2017, ALL RIGHTS RESERVED.

6

5

4

3

2

1