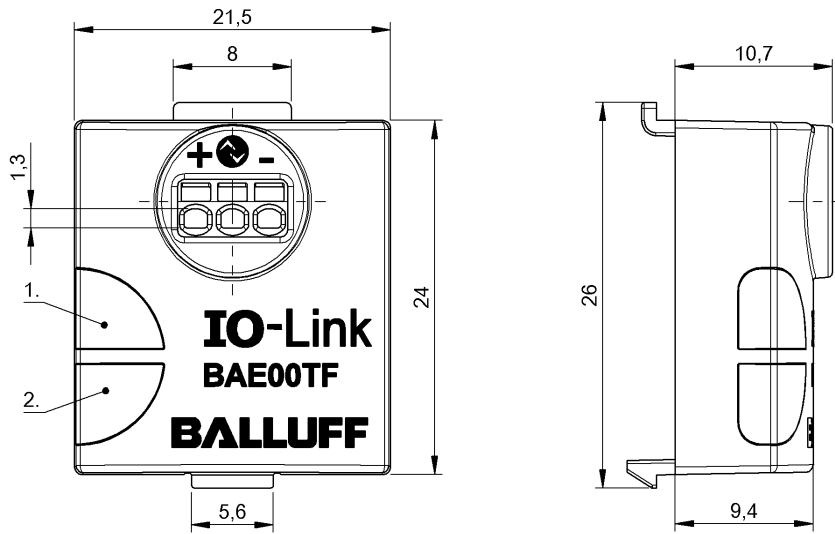


Comm. Adapters, Signal Conv.
BAE SC-AE-I01
 Order Code: BAE00TF

BALLUFF



1) LED function indicator, 2) LED (Power)



Basic features

Approval/Conformity	WEEE
Use	HEARTBEAT power supplies

Environmental conditions

Ambient temperature	-25...70 °C
IP rating	IP20
Relative humidity	5...95 %, non-condensing
Storage temperature	-25...85 °C

Interface

Interface	Infrared (power supplies) 1.1
------------------	-------------------------------

Material

Housing material	PC
-------------------------	----

Mechanical data

Connection cross-section	0.14...0.5 mm ²
Mounting part	Snap fastener
Weight	5.00 g