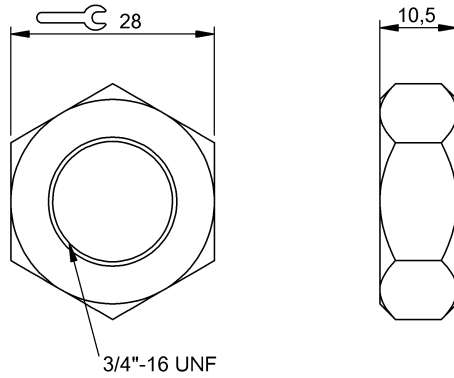


Fastening Technology
BTL-A-FK01-E-3/4"-16UNF
Order Code: BAM0117

BALLUFF



Material

Housing material Aluminium, Anodized

Material

Surface protection

Aluminum
Anodized