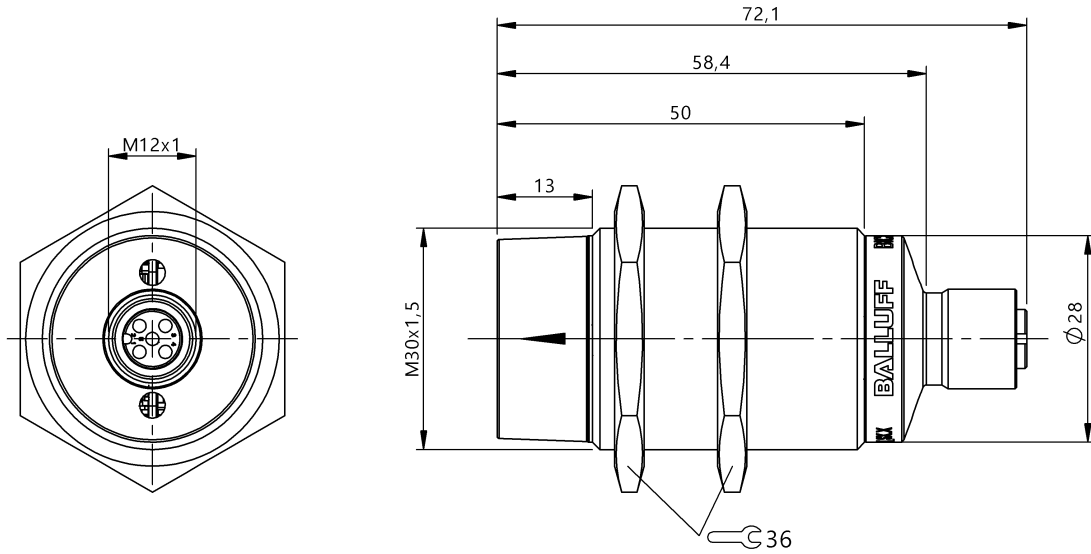


Inductive Couplers
BIC 2B0-ITA50-M30MF1-SM4A5A
 Order Code: BIC007E

BALLUFF



Basic features

Approval/Conformity	CE UKCA WEEE
Component	Remote
Function	IO-Link signal transmission

Display/Operation

Function indicator	yes
Power indicator	yes

Electrical connection

Connection	M12x1-Female, 5-pin
Short-circuit protection	yes

Electrical data

Output current max.	5 A / 0.12 ms
Output voltage	24 VDC
Rated output current	650 mA
Ripple Ua max.	1.2 V
Signal type	bi-directional
Type of master port	A

Environmental conditions

Ambient temperature	-5...55 °C
IP rating	IP67
Interference immunity	EN 61000-6-2
Storage temperature	-25...70 °C

Functional safety

MTTF (40 °C)	293 a
--------------	-------

IO-Link

IO-Link Profil IDs	N/A
--------------------	-----

Interface

Additive cycle time	Device + 2.0 ms
Frame type	Device dependent
IO-Link version	1.1
Interface	IO-Link 1.1
Process data IN	0...32 bytes
Process data OUT	0...32 bytes
Process data cycle min.	2 ms
SIO mode	yes
Transfer rate	COM2 (38.4 kBaud)

Material

Housing material	Brass, coated
Housing material, surface protection	coated
Material sensing surface	PA 12

Mechanical data

Dimension	Ø 30 x 72.1 mm
Offset	±6 mm
Size	M30x1.5
Tightening torque max.	70 Nm
Tightening torque pigtail	0.6 Nm

Range/Distance

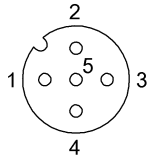
Range

0...10 mm

Transmission distance

0...10 mm

Connector Drawings



IO-Link

PIN 1: +24V

PIN 2: Output

PIN 3: GND

PIN 4: C/Q, IO-Link DC-Channel

PIN 5: not used