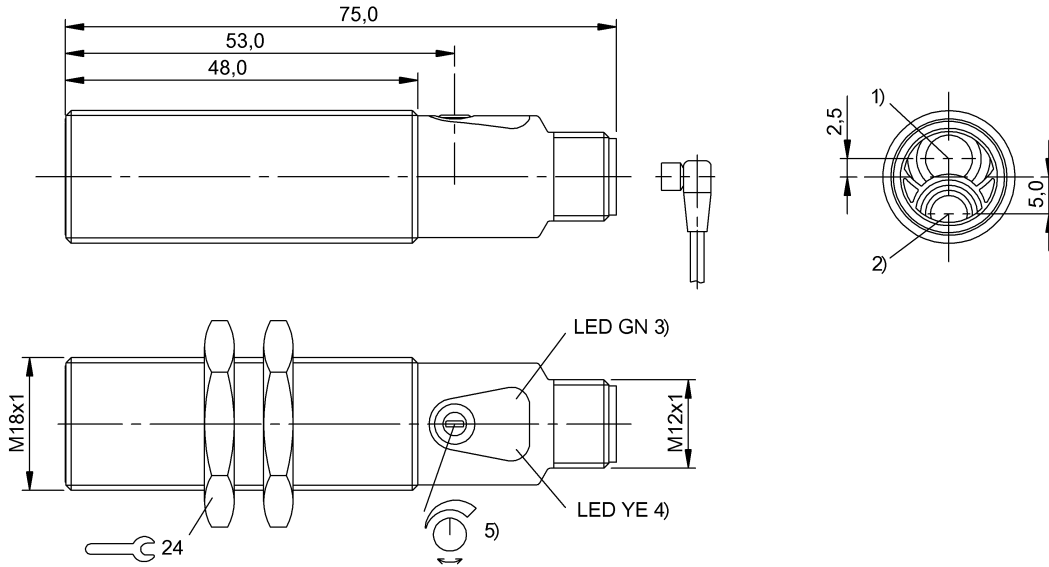


Photoelectric Sensors  
**BOS 18M-PA-ID20-S4**  
**Order Code: BOS01EY**

**BALLUFF**



1) Optical axis receiver, 2) Optical axis emitter, 3) Operating voltage, 4) Light reception/limit area, 5) Sn



**Basic features**

<b>Approval/Conformity</b>	cULus CE UKCA WEEE
<b>Basic standard</b>	IEC 60947-5-2
<b>Principle of operation</b>	Photoelectric sensor
<b>Scope of delivery</b>	2x nut M18x1 User manual
<b>Series</b>	18M
<b>Style</b>	Cylinder Straight optics

**Display/Operation**

<b>Adjuster</b>	1-turn potentiometer
<b>Display</b>	LED green: Power Error - LED green, flashing LED yellow: Light received Limit range - LED yellow, flashing
<b>Setting</b>	Rated switching distance (Sn)

**Electrical connection**

<b>Connection</b>	Connector, M12x1-Male, 4-pin
<b>Contact, surface protection</b>	Gold plated
<b>Polarity reversal protected</b>	yes
<b>Protection against device mix-ups</b>	yes
<b>Short-circuit protection</b>	yes

**Electrical data**

<b>Load capacitance max. at Ue</b>	0.2 µF
<b>No-load current I<sub>o</sub> max. at Ue</b>	25 mA
<b>Operating voltage U<sub>b</sub></b>	10...30 VDC
<b>Protection class</b>	II
<b>Rated insulation voltage U<sub>i</sub></b>	75 V DC
<b>Rated operating current I<sub>e</sub></b>	100 mA
<b>Rated operating voltage U<sub>e</sub> DC</b>	24 V
<b>Ready delay t<sub>v</sub> max.</b>	20 ms
<b>Residual current I<sub>r</sub> max.</b>	30 µA
<b>Ripple max. (% of U<sub>e</sub>)</b>	15 %
<b>Switching frequency</b>	800 Hz
<b>Turn-off delay t<sub>off</sub> max.</b>	0.63 ms
<b>Turn-on delay t<sub>on</sub> max.</b>	0.63 ms
<b>Utilization category</b>	DC -13
<b>Voltage drop U<sub>d</sub> max. at I<sub>e</sub></b>	2.5 V

**Environmental conditions**

<b>Ambient temperature</b>	-5...55 °C
<b>Contamination scale</b>	3
<b>EN 60068-2-27, Shock</b>	Half-sinus, 30 g <sub>n</sub> , 11 ms, 3x6 Half-sinus, 100 g <sub>n</sub> , 2 ms, 3x8000
<b>EN 60068-2-6, Vibration</b>	10...55 Hz, amplitude 1 mm, 3x30 min 10...2000 Hz, amplitude 1 mm, 30 g <sub>n</sub> , 3x5 h
<b>IP rating</b>	IP67

Photoelectric Sensors  
**BOS 18M-PA-ID20-S4**  
**Order Code: BOS01EY**



**Functional safety**

MTTF (40 °C)	872 a
--------------	-------

**Interface**

Switching output	PNP normally closed (NC) PNP normally open (NO) Pins 4-2
------------------	---

**Material**

Housing material	Brass, nickel-plated
Housing material, surface protection	nickel-plated
Material sensing surface	Glass, anti-glare
Surface protection	nickel-plated

**Mechanical data**

Dimension	Ø 18 x 75 mm
Mounting part	Nut M18x1
Tightening torque max.	15 Nm 30 Nm

**Optical features**

Ambient light max.	5000 Lux
Beam characteristic	Divergent
LED group per IEC 62471	Exempt Group
Light spot size	Ø 50 mm at 600 mm
Light type	LED infrared
Principle of optical operation	Diffuse sensor, energetic
Switching function, optical	Light-on dark-on
Wave length	850 nm

**Range/Distance**

Hysteresis H max. (% of Sr)	10.0 %
Range	1...800 mm
Rated operating distance Sn	800 mm Adjustable
Temperature drift max. (% of Sr)	10 %

**Remarks**

Order accessories separately.  
 For additional information, refer to user's guide.  
 Reference object (target): gray card, 200 x 200, 90 % remission, axial approach.  
 The sensor is functional again after the overload has been eliminated.  
 For more information about MTTF and B10d see MTTF / B10d Certificate

Indication of the MTTF- / B10d value does not represent a binding composition and/or life expectancy assurance; these are simply experiential values with no warranty implications. These declared values also do not extend the expiration period for defect claims or affect it in any way.

**Connector Drawings**

**Wiring Diagrams**

**Opto Symbols**