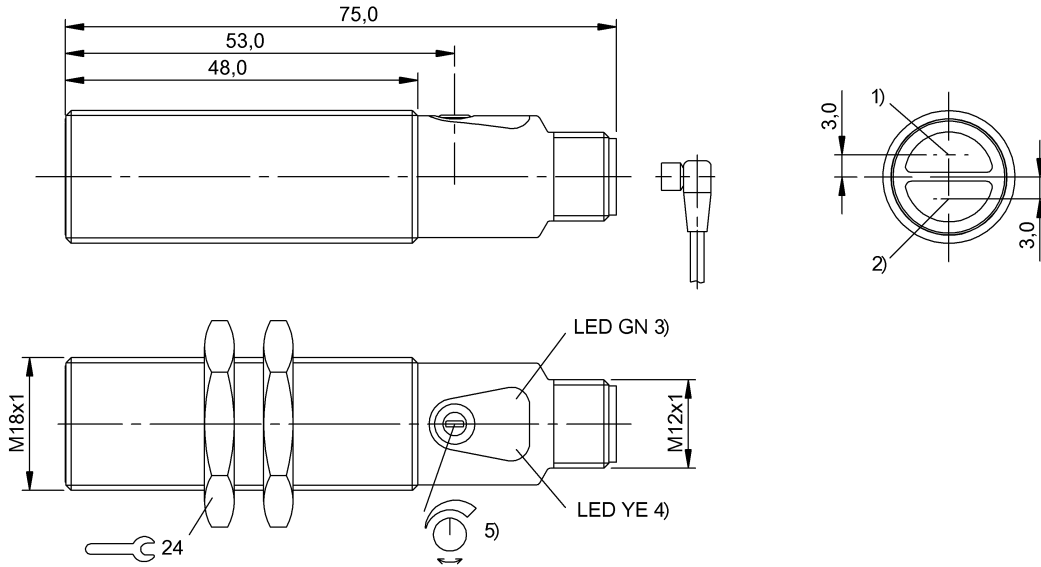


Photoelectric Sensors
BOS 18M-PA-IR20-S4
Order Code: BOS01F0

BALLUFF



1) Optical axis receiver, 2) Optical axis emitter, 3) Operating voltage, 4) Light reception/limit area, 5) Sn



Basic features

Approval/Conformity	cULus CE UKCA WEEE
Basic standard	IEC 60947-5-2
Principle of operation	Photoelectric sensor
Reference reflector	BOS R-1
Scope of delivery	2x nut M18x1 User manual
Series	18M
Style	Cylinder Straight optics

Display/Operation

Adjuster	1-turn potentiometer
Display	LED green: Power Error - LED green, flashing LED yellow: Light received Limit range - LED yellow, flashing
Setting	Sensitivity (Sn)

Electrical connection

Connection	Connector, M12x1-Male, 4-pin
Contact, surface protection	Gold plated
Polarity reversal protected	yes
Protection against device mix-ups	yes
Short-circuit protection	yes

Electrical data

Load capacitance max. at Ue	0.2 µF
No-load current I_o max. at Ue	50 mA
Operating voltage U_b	10...30 VDC
Protection class	II
Rated insulation voltage U_i	75 V DC
Rated operating current I_e	100 mA
Rated operating voltage U_e DC	24 V
Ready delay t_v max.	20 ms
Residual current I_r max.	30 µA
Ripple max. (% of U_e)	15 %
Switching frequency	800 Hz
Turn-off delay t_{off} max.	0.63 ms
Turn-on delay t_{on} max.	0.63 ms
Utilization category	DC -13
Voltage drop U_d max. at I_e	2.5 V

Environmental conditions

Ambient temperature	-5...55 °C
Contamination scale	3
EN 60068-2-27, Shock	Half-sinus, 30 g _n , 11 ms, 3x6 Half-sinus, 100 g _n , 2 ms, 3x8000
EN 60068-2-6, Vibration	10...55 Hz, amplitude 1 mm, 3x30 min 10...2000 Hz, amplitude 1 mm, 30 g _n , 3x5 h
IP rating	IP67

Photoelectric Sensors
BOS 18M-PA-IR20-S4
Order Code: BOS01F0



Functional safety

MTTF (40 °C)	872 a
--------------	-------

Interface

Switching output	PNP normally closed (NC) PNP normally open (NO) Pins 4-2
------------------	---

Material

Housing material	Brass, nickel-plated
Housing material, surface protection	nickel-plated
Material sensing surface	Glass, anti-glare
Surface protection	nickel-plated

Mechanical data

Dimension	Ø 18 x 75 mm
Mounting part	Nut M18x1
Tightening torque max.	15 Nm 30 Nm

Optical features

Ambient light max.	10000 Lux
Beam characteristic	Divergent
LED group per IEC 62471	Exempt Group
Light spot size	Ø 300 mm at 7 m
Light type	LED infrared
Polarizing filter	no
Principle of optical operation	Retroreflective sensor
Switching function, optical	Light-on dark-on
Wave length	850 nm

Range/Distance

Range	0...10 m
Rated operating distance Sn	10 m Adjustable

Remarks

The sensor is functional again after the overload has been eliminated.
 For additional information, refer to user's guide.
 Order accessories separately.
 For more information about MTTF and B10d see MTTF / B10d Certificate

Indication of the MTTF- / B10d value does not represent a binding composition and/or life expectancy assurance; these are simply experiential values with no warranty implications. These declared values also do not extend the expiration period for defect claims or affect it in any way.

Connector Drawings

Wiring Diagrams

Opto Symbols