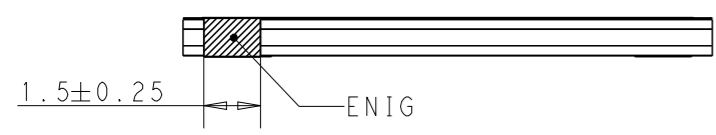
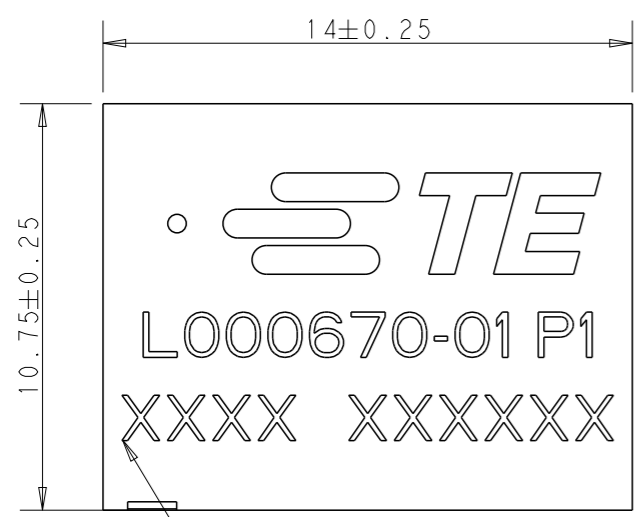
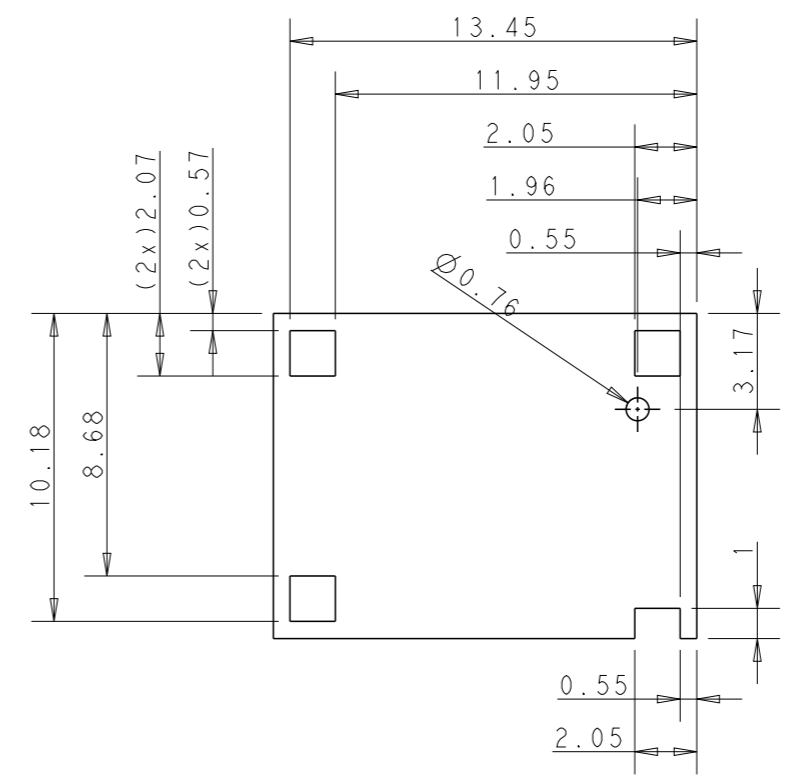


P	LTR	DESCRIPTION	DATE	DWN	APVD
	1	DRAWN	25AUG2023	DW	JH



AS SHOWN L000670-01



[FOR REFERENCE]
RECOMMENDED BACK SIDE LAYOUT

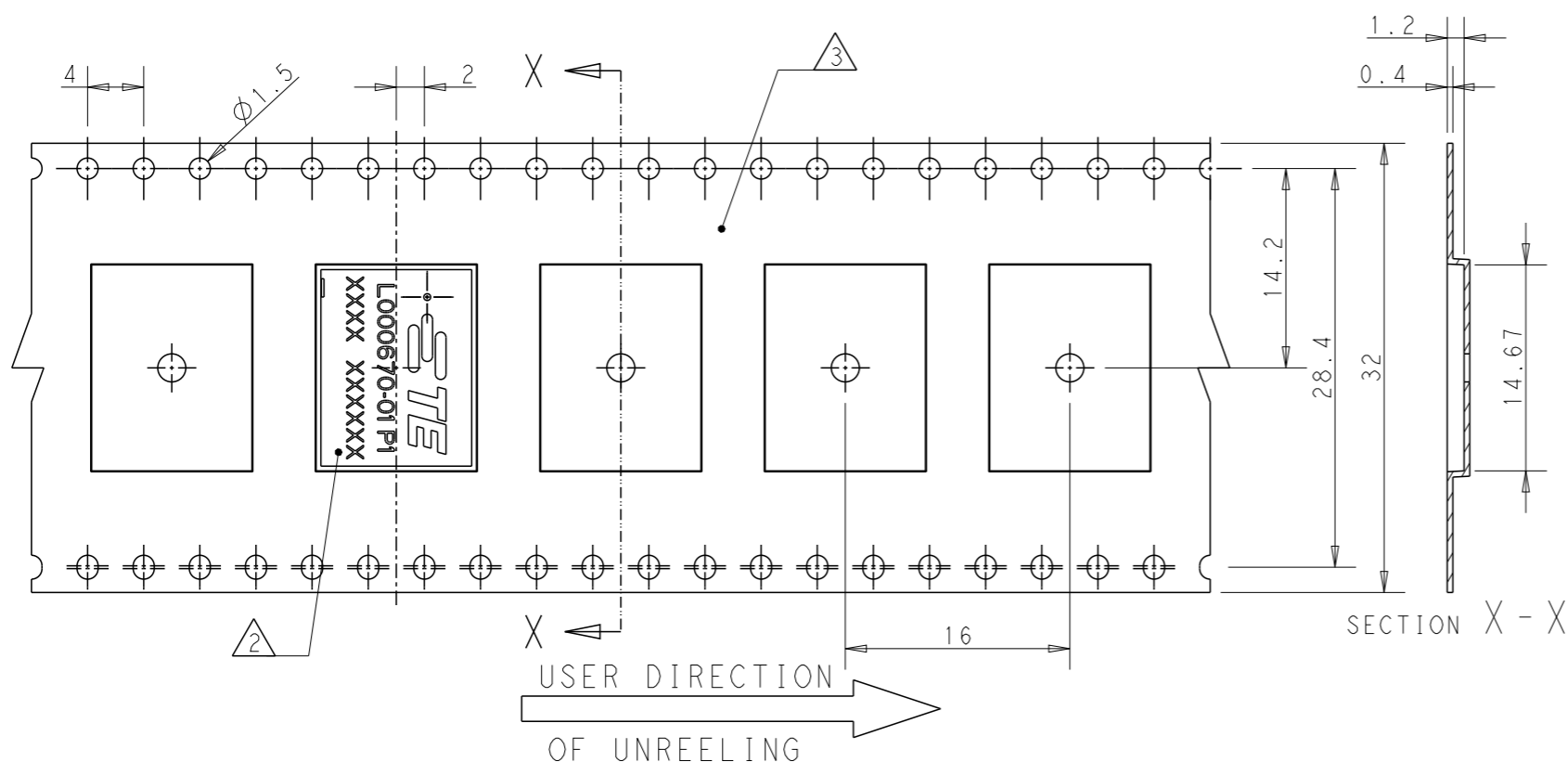
NOTES: UNLESS OTHERWISE SPECIFIED.

- FABRICATE TO MEET IPC - 6012, CLASS 2. INSPECT TO MEET IPC - A - 600, CLASS 2.
- MATERIAL: FR-4 PCB , THK 1.00
- FINISH:
A: PLATING : 1 OZ COPPER (FOR THROUGH HOLE)
B: SOLDERMASK OVER BASE COPPER (SMOGB)
C: SOLDERMASK COLOR : ORANGE
D: (ENIG) ELECTROLESS NICKEL IMMERSION GOLD FINISH 0.03um MIN. GOLD OVER 3um MIN NICKEL.
- SILKSCREEN; WHITE EPOXY INK
A. TE LOGO, TE P/N
B. WORD REV., FOLLOWED BY THE LATEST REVISION LETTER, AS SHOWN.
C. 4 DIGIT DATE CODE: FIRST 2 DIGITS FOR THE WEEK CODE AND THE 2ND TWO DIGITS FOR THE YEAR CODE.
OTHERS: SPECIFIC TE SOURCE CODE NUMBER DIGITS AS REQUIRED
- CONSULT TE CONNECTIVITY DATA SHEET : L000670.
- CONTACT TE CONNECTIVITY ENGINEERING PRIOR TO DESIGNING INTO AN APPLICATION.
- PACKAGING: TAPE AND REEL PACKAGED, SEE SHEET 2.

TAPE AND REELED	L000670-01
PACKAGING	PART NUMBER

THIS DRAWING IS A CONTROLLED DOCUMENT.		DWN DW.PARK 25AUG2023	TE Connectivity NAME L1/L5 xSplatch PCB Antenna - SIZE CAGE CODE DRAWING NO RESTRICTED TO A300779 C=L000670 -	
DIMENSIONS: mm		CHK SJ.NOH 25AUG2023		
TOLERANCES UNLESS OTHERWISE SPECIFIED:		APVD JH.KIM 25AUG2023		
0 PLC ±- 1 PLC ±- 2 PLC ±- 3 PLC ±- 4 PLC ±- ANGLES ±-		PRODUCT SPEC 108-61420		
MATERIAL SEE NOTE 2		APPLICATION SPEC -	WEIGHT -	
-		FINISH -	CUSTOMER DRAWING	
		SCALE 5:1	SHEET 1 OF 3	REV 1

P	LTR	DESCRIPTION	DATE	DWN	APVD
		SEE SHEET 1			

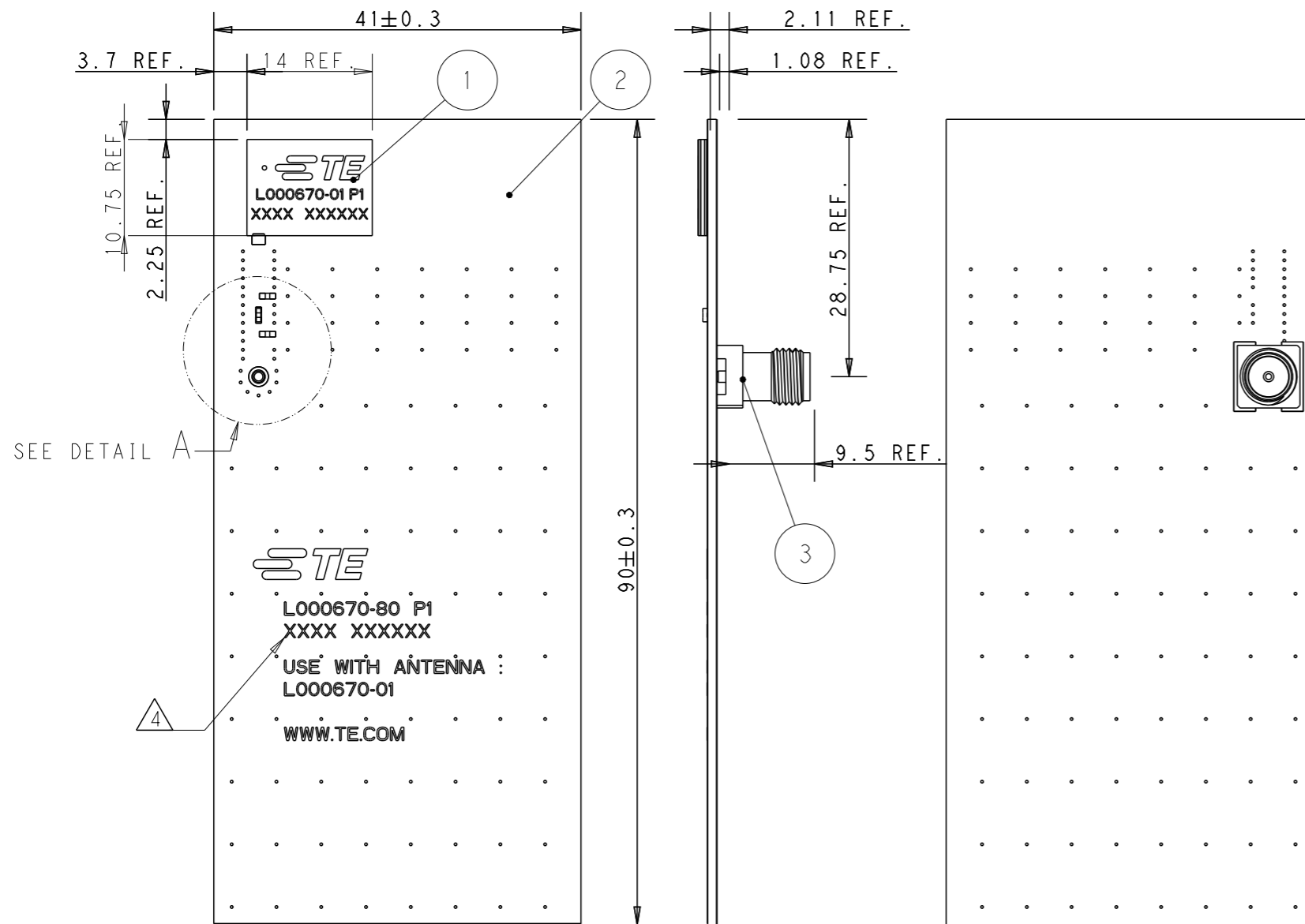


- NOTES.
- UNLESS OTHERWISE SPECIFIED TOLERANCE PER EIA-481-D
 - ORIENT PARTS AS SHOWN.
 - MATERIAL : P.S 0.4mm THICKNESS, COLOR : BLACK, CONDUCTIVE WHEN ALTERNATIVE MATERIAL (PET, P.P) USE, CONSULT ECO PRIOR TO MANUFACTURER.

AS SHOWN L000670-01
ANTENNA WITH REEL PACKAGING
REFERENCE ONLY

THIS DRAWING IS A CONTROLLED DOCUMENT.		DWN DW.PARK	25AUG2023	TE Connectivity NAME L1/L5 xSplatch PCB Antenna	
DIMENSIONS: mm		CHK SJ.NOH	25AUG2023		
		APVD JH.KIM	25AUG2023		
		PRODUCT SPEC			
TOLERANCES UNLESS OTHERWISE SPECIFIED:		APPLICATION SPEC		RESTRICTED TO	
0 PLC ±-		-		-	
1 PLC ±-		-		-	
2 PLC ±-		-		-	
3 PLC ±-		-		-	
4 PLC ±-		-		-	
ANGLES ±-		-		-	
FINISH		WEIGHT		-	
SEE NOTE 3		-		-	
-		-		-	
CUSTOMER DRAWING				SCALE	2:1
				SHEET	2 OF 3
				REV	1

P	LTR	DESCRIPTION	DATE	DWN	APVD
		SEE SHEET 1			

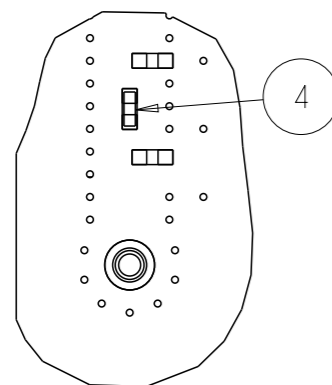


NOTES: UNLESS OTHERWISE SPECIFIED.

- FABRICATE TO MEET IPC - 6012, CLASS 2. INSPECT TO MEET IPC - A - 600, CLASS 2.
- MATERIAL: SEE TABLE
- FINISH: EVB ASSEMBLY WITH SOLDER PROCESS
- SILKSCREEN; WHITE EPOXY INK
 A. TE LOGO, TE P/N
 B. WORD REV., FOLLOWED BY THE LATEST REVISION LETTER, AS SHOWN.
 C. 4 DIGIT DATE CODE: FIRST 2 DIGITS FOR THE WEEK CODE AND THE 2ND TWO DIGITS FOR THE YEAR CODE.
 OTHERS: SPECIFIC TE SOURCE CODE NUMBER DIGITS AS REQUIRED
- CONSULT TE CONNECTIVITY DATA SHEET L000670
- CONTACT TE CONNECTIVITY ENGINEERING PRIOR TO DESIGNING INTO AN APPLICATION.
- PACKAGING : SECURELY VACUUM PACKAGED IN BULK

I	RESISTOR (0ohm)	4
I	SMA PCB VERT JACK	3
I	EVALUATION BOARD	2
I	PCB ANTENNA	1
QTY	DESCRIPTION	ITEM

AS SHOWN L000670-80 ANTENNA WITH EVB ASS'Y



DETAIL A
SCALE 3:1

THIS DRAWING IS A CONTROLLED DOCUMENT.		DWN DW.PARK	25AUG2023	TE Connectivity NAME L1/L5 xSplatch PCB Antenna	
DIMENSIONS: mm		CHK SJ.NOH	25AUG2023		
TOLERANCES UNLESS OTHERWISE SPECIFIED:		APVD JH.KIM	25AUG2023		
0 PLC ±- 1 PLC ±- 2 PLC ±- 3 PLC ±- 4 PLC ±- ANGLES ±-		PRODUCT SPEC 108-61420	APPLICATION SPEC -		
MATERIAL SEE NOTE 2		WEIGHT	-	SIZE A3	CAGE CODE 00779
		CUSTOMER DRAWING		DRAWING NO C=L000670	RESTRICTED TO -
				SCALE 3:2	SHEET 3 OF 3
				REV 1	