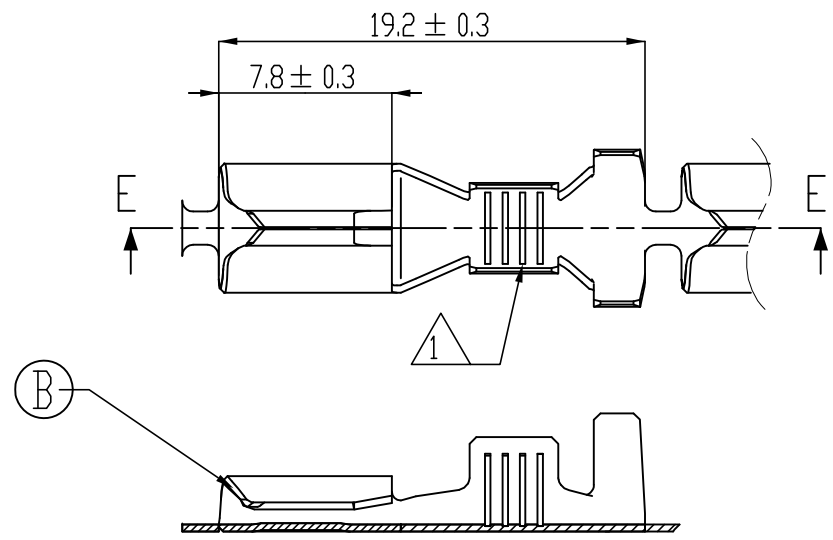
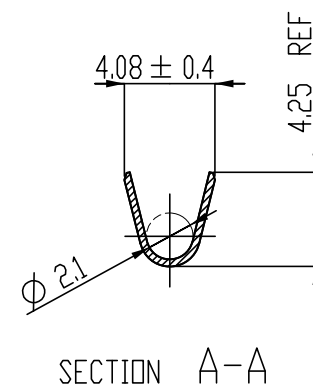
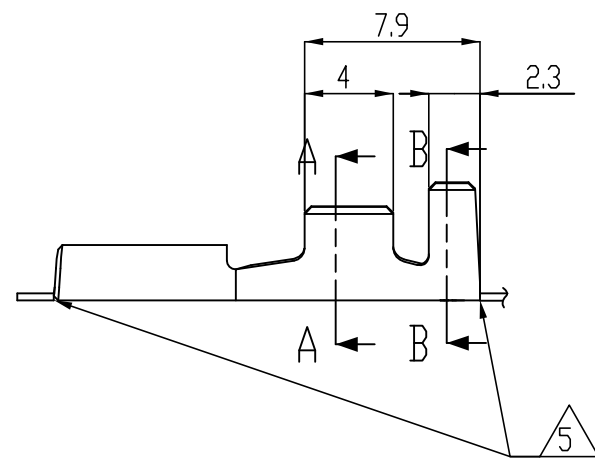
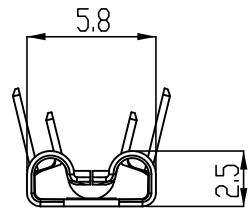


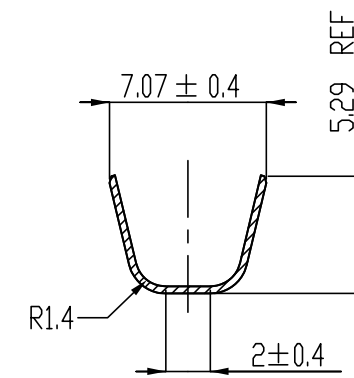
LOC	DIST	REVISIONS					
		P	LTR	DESCRIPTION	DATE	DWN	APVD
DS	-		A	RELEASE	09APR'09	SH	JK
			B	REVISED<ECR-10-002760>	16MAR'10	SH	JK



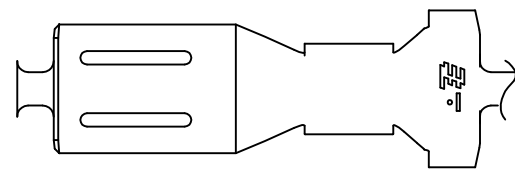
SECTION E-E



SECTION A-A

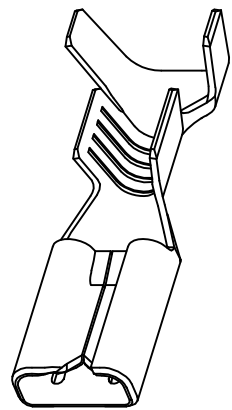


SECTION B-B



NOTES;

- △ FOUR SERRATIONS WERE CENTERED IN WIRE BARREL
- 2. WIRE SIZE EQUIV AESSXF 2.0~ AEXF 3.0 sqmm
- 3. TOLERANCES UNLESS OTHERWISE SPECIFIED : ±0.2, ±3°
- 4. MUST BE REFERRED TO THE FOLLOWING TABLE 1 FOR CRIMPING OPERATION.
- △ 0.5 Max Cutoff Tab, with 0.15 Max Burr(Front and Rear)



ISD VIEW  
SCALE 3:1

THIS DRAWING IS A CONTROLLED DOCUMENT FOR TYCO ELECTRONICS CORPORATION IT IS SUBJECT TO CHANGE AND THE CONTROLLING ENGINEERING ORGANIZATION SHOULD BE CONTACTED FOR THE LATEST REVISION.	
DIMENSIONS: mm	TOLERANCES UNLESS OTHERWISE SPECIFIED: 0 PLC ±0.5 1 PLC ±0.5 2 PLC ±0.13 3 PLC ±0.013 4 PLC ±0.0001 ANGLES ±
MATERIAL -	FINISH -

PRE-TINNED	BRASS 0.32THK	1897539-1
FINISH	MATERIAL	PART NUMBER
DWN SH LEE	Tyco Electronics Kyungsan, Korea.	
CHK KT LIM	NAME	
APVD JK SONG	187 SERIES FASTON RECEPTACLE	
PRODUCT SPEC 108-61107	SIZE A3	RESTRICTED TO -
APPLICATION SPEC 114-61025	CAGE CODE 00779	DRAWING NO ©=1897539
WEIGHT	SCALE 3:1	SHEET 1 OF 2
CUSTOMER DRAWING	REV B	

4

3

2

1

THIS DRAWING IS UNPUBLISHED.

RELEASED FOR PUBLICATION

© COPYRIGHT

BY TYCO ELECTRONICS CORPORATION. ALL RIGHTS RESERVED.

LOC

DIST

REVISIONS

DS

P

LTR

DESCRIPTION

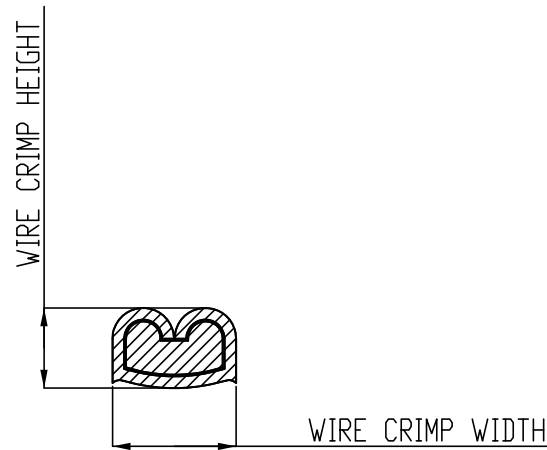
DATE

DWN

APVD

TABLE 1

Wire Size(mm <sup>2</sup> )	Wire Strip Length	Wire Crimp				Insulation Crimp	
		Width	Height	Form	Area index(%)	Width	Form
TXL 2.0(1.85)	5.3	3.30	1.52 ± 0.03	F	76.03~83.83	5.2	F
FLY,AVSS,AVSSF,AVSSX,AESSXF 2.0(1.9644)							
FLW 2.0(1.987)							
AVS,AEX,AVX 2.0(2.091)							
AVS 2.5(2.573)							
FLW 3.0(3.134)							
AEXF,AVS 3.0(3.297)							



THIS DRAWING IS A CONTROLLED DOCUMENT FOR TYCO ELECTRONICS CORPORATION IT IS SUBJECT TO CHANGE AND THE CONTROLLING ENGINEERING ORGANIZATION SHOULD BE CONTACTED FOR THE LATEST REVISION.		DWN	Tyco Electronics Tyco Electronics Kyungsan, Korea.		
DIMENSIONS:		CHK	NAME		
TOLERANCES UNLESS OTHERWISE SPECIFIED:		APVD	187 SERIES FASTON RECEPTACLE		
0 PLC ±		PRODUCT SPEC	SIZE	CAGE CODE	DRAWING NO
1 PLC ±		APPLICATION SPEC	A3		1897539
2 PLC ±			RESTRICTED TO		
3 PLC ±		WEIGHT	CUSTOMER DRAWING		
4 PLC ±			SCALE	SHEET 2 OF 2	REV B
ANGLES ±					
FINISH					