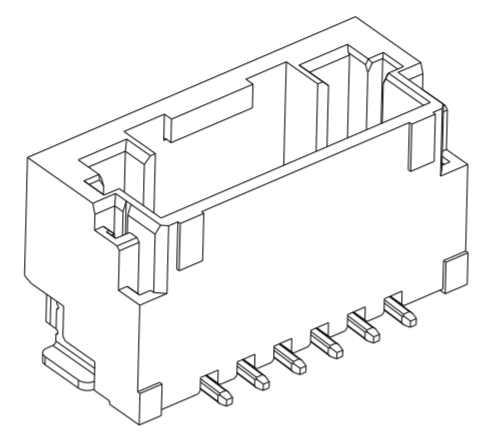
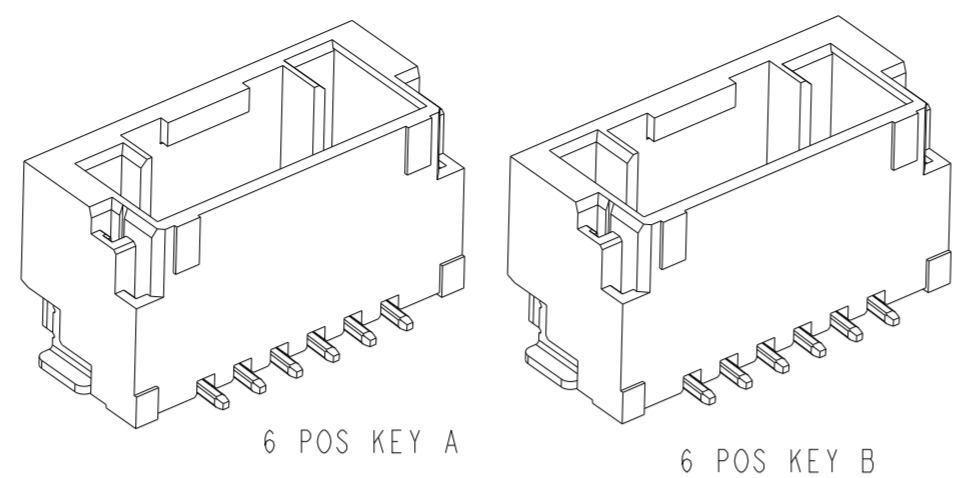
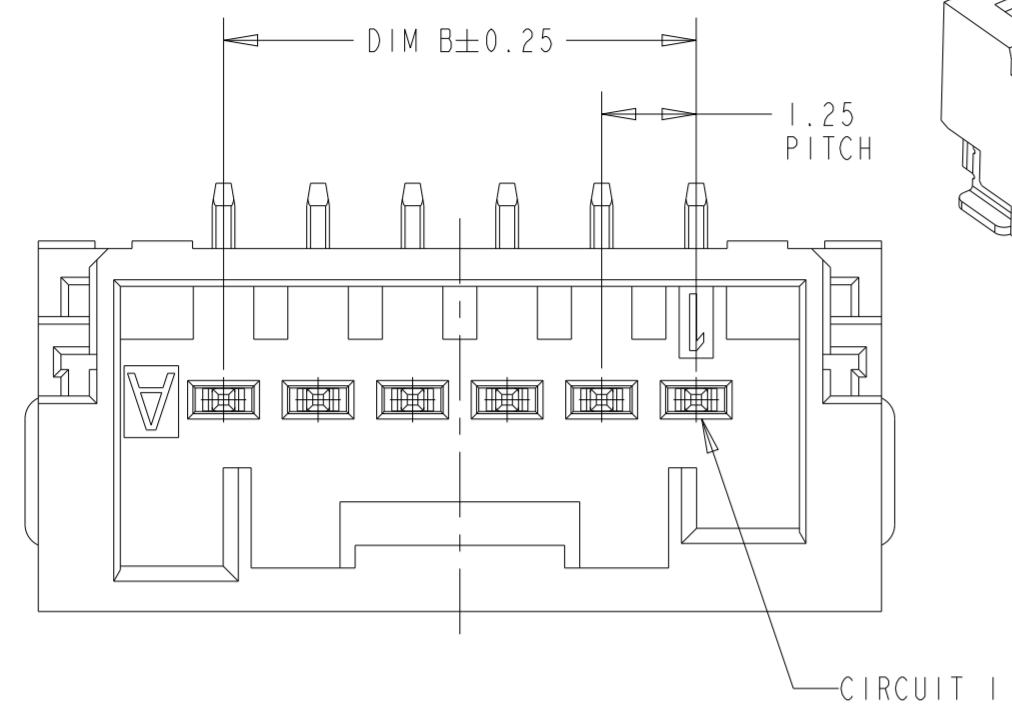


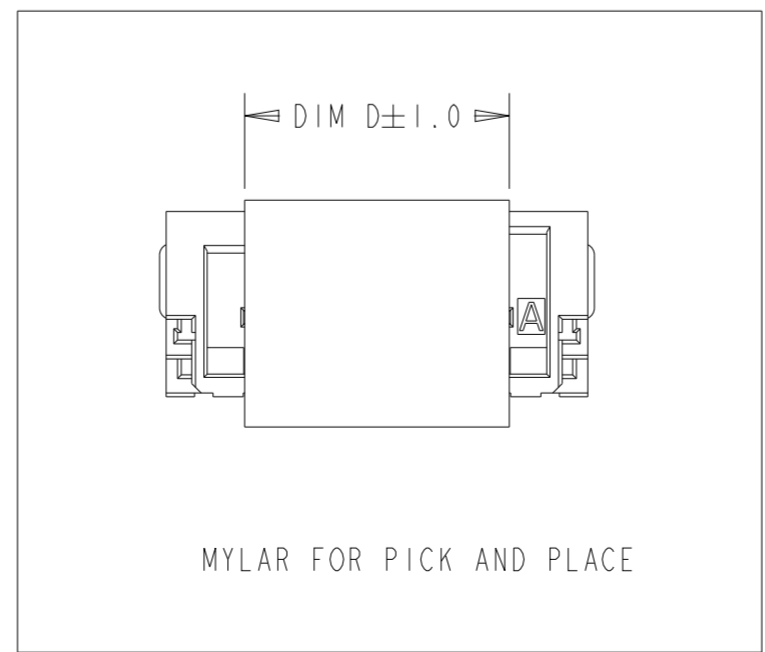
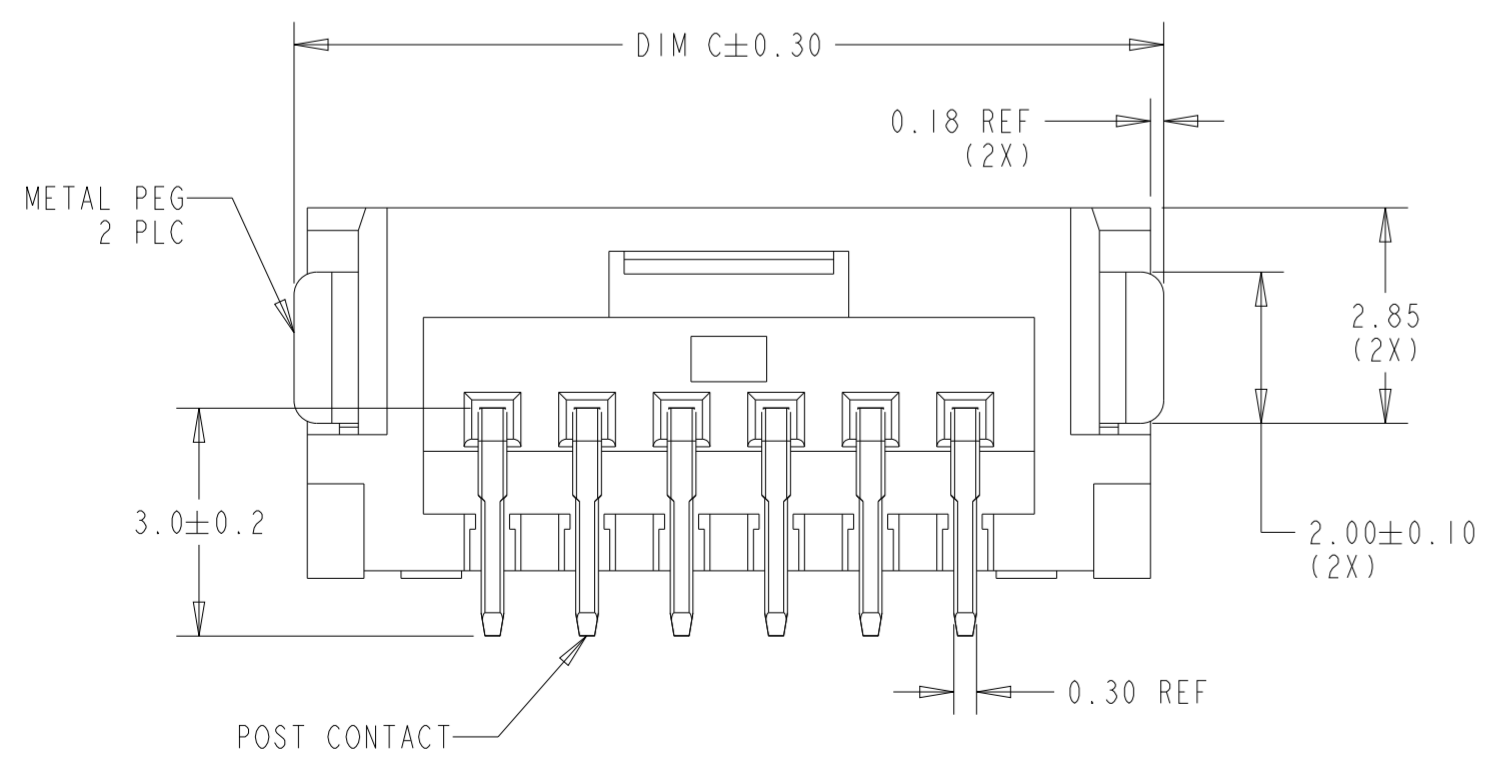
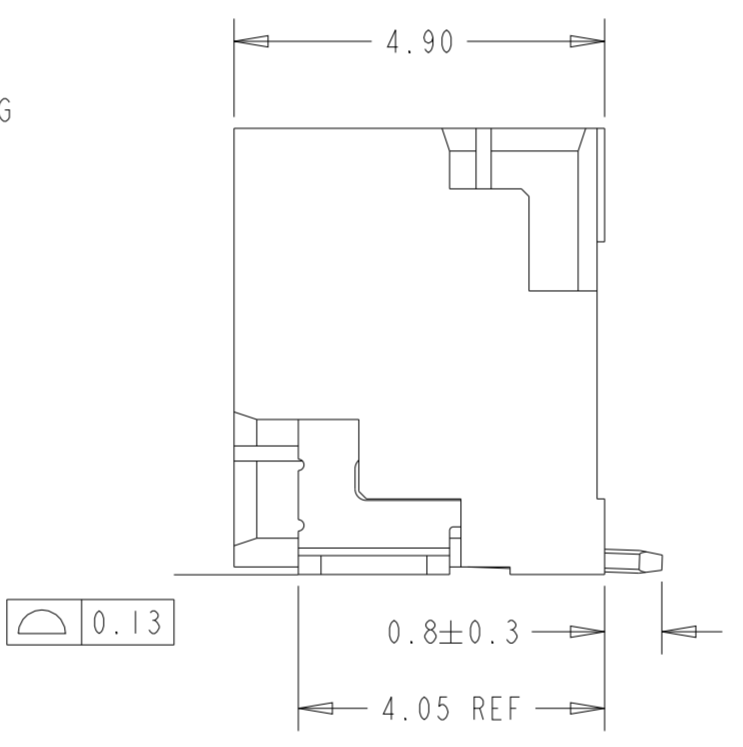
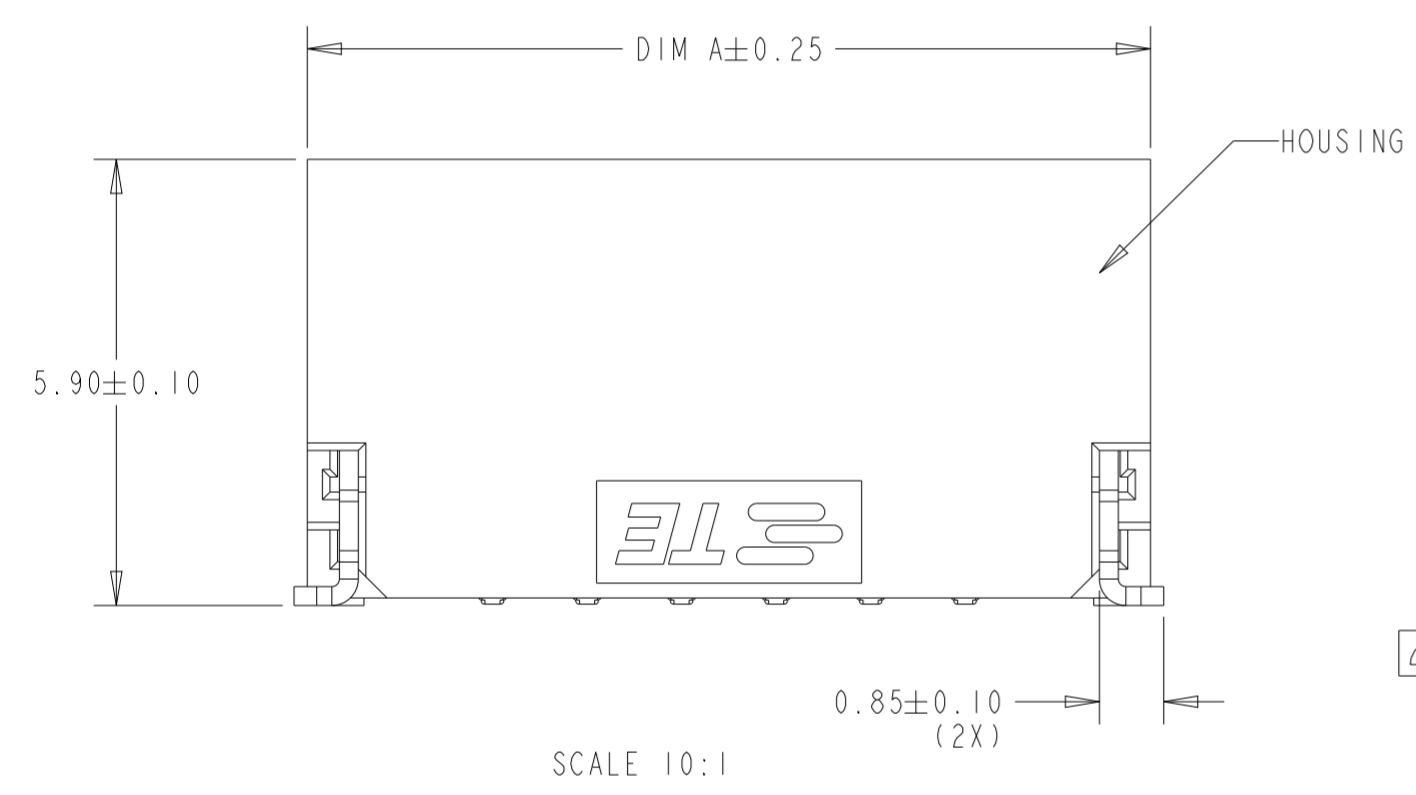
REVISIONS				
P	LTR	DESCRIPTION	DATE	APVD
A		INITIAL RELEASE PER ECN-22-191700	27DEC2022	N.H L.C
B		REVISED PER ECR-23-162418	19JAN2023	N.H L.C
B1		REVISED PER ECR-23-177199	09JUN2023	N.H L.C
B2		REVISED PER ECR-23-188062	10NOV2023	N.H L.C

KEYING A SHOWN FOR 6 POSITION

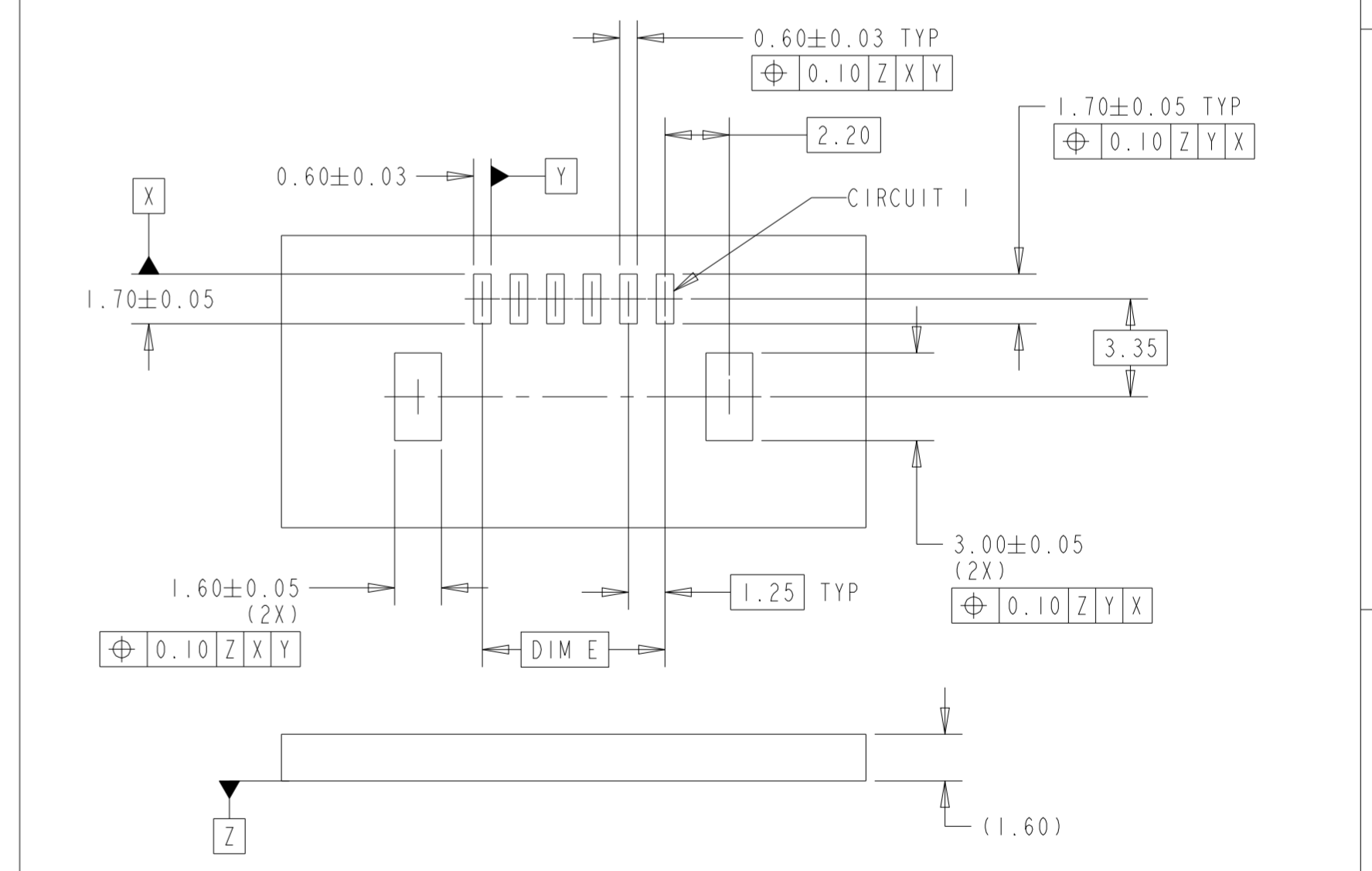


KEYING ILLUSTRATION

KEY	KEY A	KEY B	KEY C
7-18 POS			
2-6 POS			



RECOMMENDED PCB LAYOUT



THIS DRAWING IS A CONTROLLED DOCUMENT.		DWN R. SMITH 12SEP2019		TE Connectivity	
DIMENSIONS: mm		CHK L. CHEN 12SEP2019		NAME HEADER ASSY, VERTICAL SGI 1.25, SMT TYPE	
TOLERANCES UNLESS OTHERWISE SPECIFIED: 0 PLC ± 1 PLC ±0.25 2 PLC ±0.15 3 PLC ± 4 PLC ±		APVD L. CHEN 12SEP2019	PRODUCT SPEC 108-106451		
MATERIAL		APPLICATION SPEC 114-106497	SIZE A2	CAGE CODE 00779	DRAWING NO C-2360540
FINISH		WEIGHT -	RESTRICTED TO -	SCALE 5:1	SHEET 1 OF 4
CUSTOMER DRAWING		REVISIONS		REV B2	

REVISIONS

P	LTR	DESCRIPTION	DATE	DWN	APVD
-		SEE SHEET 1	-	-	-

	DIM E	DIM D	DIM C	DIM B	DIM A	POS	KEYING	COLOR	HEADER ASSEMBLY PART NO	REMARK
2371404-2	1.25	6.0	6.50	1.25	6.15	2			2360540-2	
2371404-3	2.50	6.0	7.75	2.50	7.40	3			2360540-3	
2371404-4	3.75	6.0	9.00	3.75	8.65	4			2360540-4	
2371404-5	5.00	6.0	10.25	5.00	9.90	5			2360540-5	
2371404-6	6.25	6.0	11.50	6.25	11.15	6			2360540-6	
2371404-7	7.50	6.0	12.75	7.50	12.40	7			2360540-7	
2371404-8	8.75	8.8	14.00	8.75	13.65	8			2360540-8	
2371404-9	10.00	8.8	15.25	10.00	14.90	9			2360540-9	
1-2371404-0	11.25	8.8	16.50	11.25	16.15	10			1-2360540-0	
1-2371404-1	12.50	8.8	17.75	12.50	17.40	11			1-2360540-1	
1-2371404-2	13.75	8.8	19.00	13.75	18.65	12			1-2360540-2	
1-2371404-3	15.00	8.8	20.25	15.00	19.90	13			1-2360540-3	
1-2371404-4	16.25	8.8	21.50	16.25	21.15	14			1-2360540-4	
1-2371404-5	17.50	8.8	22.75	17.50	22.40	15			1-2360540-5	
1-2371404-6	18.75	8.8	24.00	18.75	23.65	16			1-2360540-6	
1-2371404-7	20.00	8.8	25.25	20.00	24.90	17			1-2360540-7	
1-2371404-8	21.25	8.8	26.50	21.25	26.15	18			1-2360540-8	
2-2371404-2	1.25	6.0	6.50	1.25	6.15	2			2-2360540-2	
2-2371404-3	2.50	6.0	7.75	2.50	7.40	3			2-2360540-3	
2-2371404-4	3.75	6.0	9.00	3.75	8.65	4			2-2360540-4	
2-2371404-5	5.00	6.0	10.25	5.00	9.90	5			2-2360540-5	
2-2371404-6	6.25	6.0	11.50	6.25	11.15	6			2-2360540-6	
2-2371404-7	7.50	6.0	12.75	7.50	12.40	7			2-2360540-7	
2-2371404-8	8.75	8.8	14.00	8.75	13.65	8			2-2360540-8	
2-2371404-9	10.00	8.8	15.25	10.00	14.90	9			2-2360540-9	
3-2371404-0	11.25	8.8	16.50	11.25	16.15	10			3-2360540-0	
3-2371404-1	12.50	8.8	17.75	12.50	17.40	11			3-2360540-1	
3-2371404-2	13.75	8.8	19.00	13.75	18.65	12			3-2360540-2	
3-2371404-3	15.00	8.8	20.25	15.00	19.90	13			3-2360540-3	
3-2371404-4	16.25	8.8	21.50	16.25	21.15	14			3-2360540-4	
3-2371404-5	17.50	8.8	22.75	17.50	22.40	15			3-2360540-5	
3-2371404-6	18.75	8.8	24.00	18.75	23.65	16			3-2360540-6	
3-2371404-7	20.00	8.8	25.25	20.00	24.90	17			3-2360540-7	
3-2371404-8	21.25	8.8	26.50	21.25	26.15	18			3-2360540-8	
4-2371404-2	1.25	6.0	6.50	1.25	6.15	2			4-2360540-2	
4-2371404-3	2.50	6.0	7.75	2.50	7.40	3			4-2360540-3	△4
4-2371404-4	3.75	6.0	9.00	3.75	8.65	4			4-2360540-4	
4-2371404-5	5.00	6.0	10.25	5.00	9.90	5			4-2360540-5	
4-2371404-6	6.25	6.0	11.50	6.25	11.15	6			4-2360540-6	-
4-2371404-7	7.50	6.0	12.75	7.50	12.40	7			4-2360540-7	
4-2371404-8	8.75	8.8	14.00	8.75	13.65	8			4-2360540-8	
4-2371404-9	10.00	8.8	15.25	10.00	14.90	9			4-2360540-9	
5-2371404-0	11.25	8.8	16.50	11.25	16.15	10			5-2360540-0	
5-2371404-1	12.50	8.8	17.75	12.50	17.40	11			5-2360540-1	
5-2371404-2	13.75	8.8	19.00	13.75	18.65	12			5-2360540-2	△4
5-2371404-3	15.00	8.8	20.25	15.00	19.90	13			5-2360540-3	
5-2371404-4	16.25	8.8	21.50	16.25	21.15	14			5-2360540-4	
5-2371404-5	17.50	8.8	22.75	17.50	22.40	15			5-2360540-5	
5-2371404-6	18.75	8.8	24.00	18.75	23.65	16			5-2360540-6	
5-2371404-7	20.00	8.8	25.25	20.00	24.90	17			5-2360540-7	
5-2371404-8	21.25	8.8	26.50	21.25	26.15	18			5-2360540-8	

D

D

C

C


B

B

A

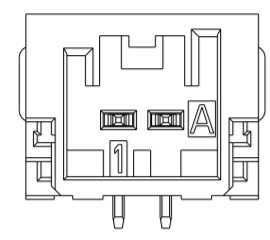
A

- 1 MATERIAL
HOUSING: HIGH TEMP NYLON (PA4T), UL94 V-0
POST CONTACT: BRASS, THICKNESS 0.30
METAL PEG: STEEL, THICKNESS 0.25
- 2 PLATING
POST CONTACT: 1.0um MIN TIN OVER 1.27um MIN NICKEL
METAL PEG: 2.0um MIN TIN OVER 1.27um MIN NICKEL
- 3 MATING PARTS: SEE TABLE ON PAGE 2.
- 4 PRELIMINARY: NOT RELEASED FOR PRODUCTION
THIS PRODUCT HAS NOT COMPLETED QUALIFICATION TESTING.

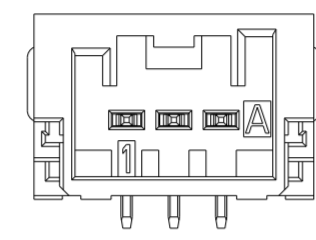
THIS DRAWING IS A CONTROLLED DOCUMENT.		DWN R. SMITH 12SEP2019	 TE Connectivity	
		CHK L. CHEN 12SEP2019		
DIMENSIONS: mm		APVD L. CHEN 12SEP2019	NAME HEADER ASSY, VERTICAL SG1 1.25, SMT TYPE	
TOLERANCES UNLESS OTHERWISE SPECIFIED: 0 PLC ± 1 PLC ±0.25 2 PLC ±0.15 3 PLC ± 4 PLC ±		PRODUCT SPEC 108-106451	DRAWING NO 114-106457	
MATERIAL △1		APPLICATION SPEC 114-106457	SIZE A2	RESTRICTED TO -
FINISH △2		WEIGHT -	CAGE CODE 00779	DRAWING NO C-2360540
		CUSTOMER DRAWING		SCALE 5:1 SHEET 2 OF 4 REV B2

REVISIONS				
P	LTR	DESCRIPTION	DATE	APVD
-		SEE SHEET 1	-	-

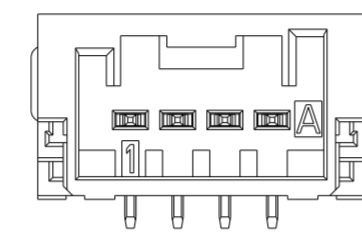
KEY A SHOWN FOR ALL POSITIONS



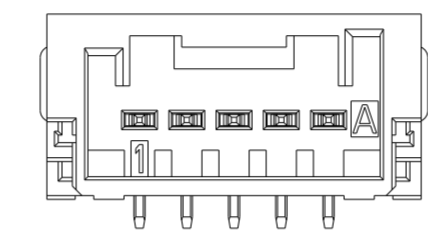
2 POSITION



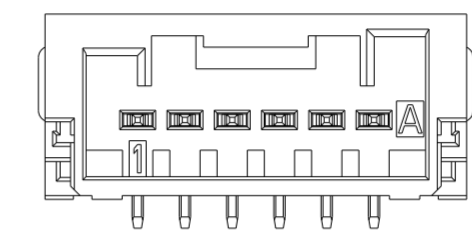
3 POSITION



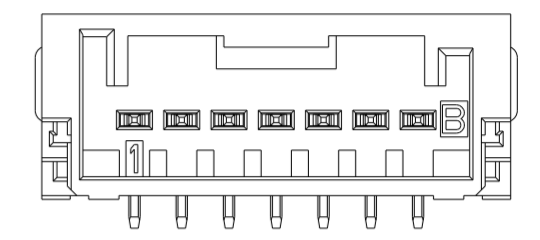
4 POSITION



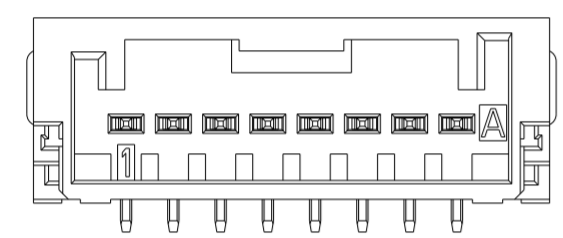
5 POSITION



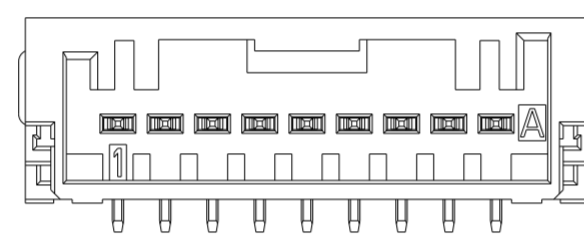
6 POSITION



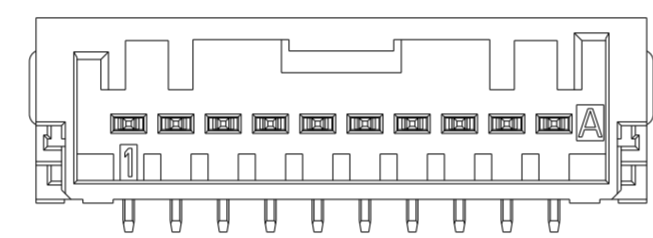
7 POSITION



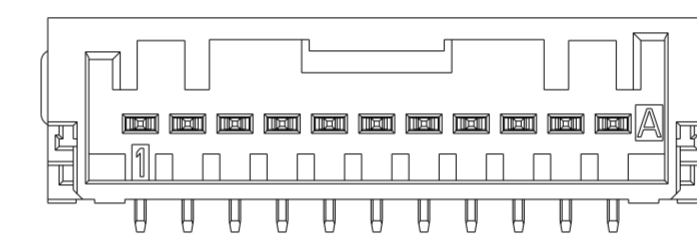
8 POSITION



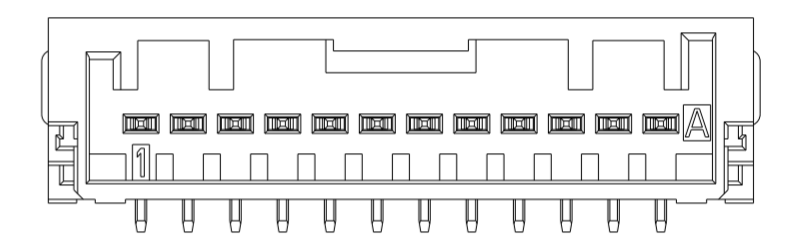
9 POSITION



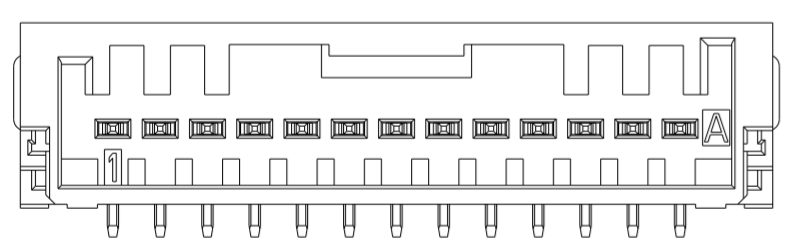
10 POSITION



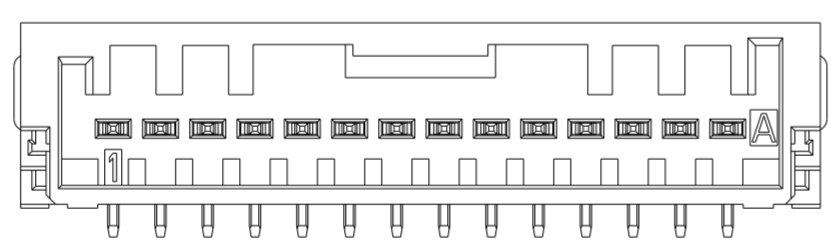
11 POSITION



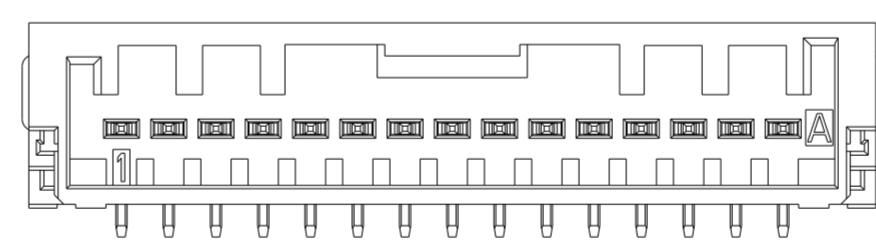
12 POSITION



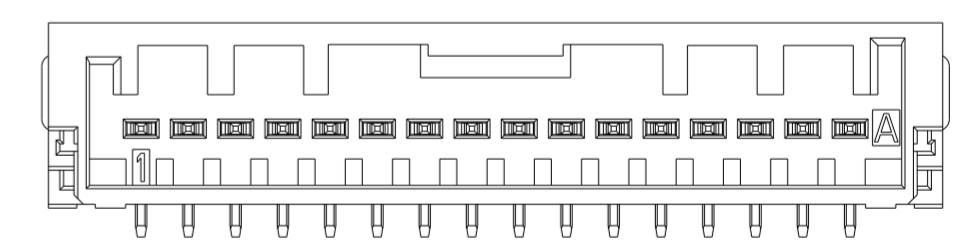
13 POSITION



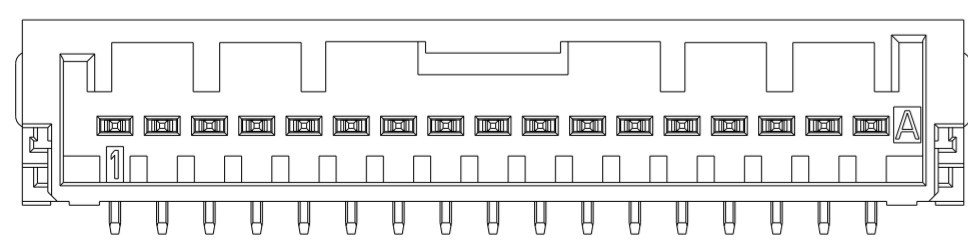
14 POSITION



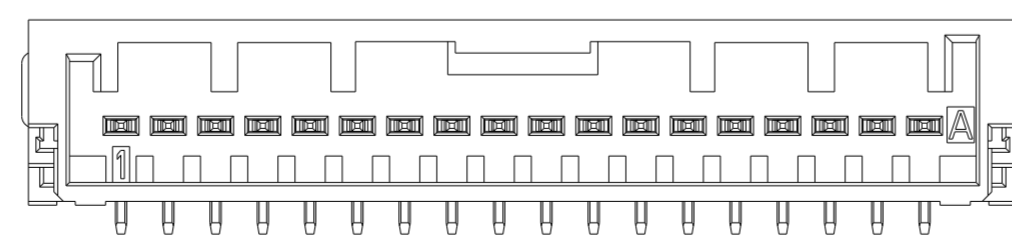
15 POSITION




16 POSITION



17 POSITION



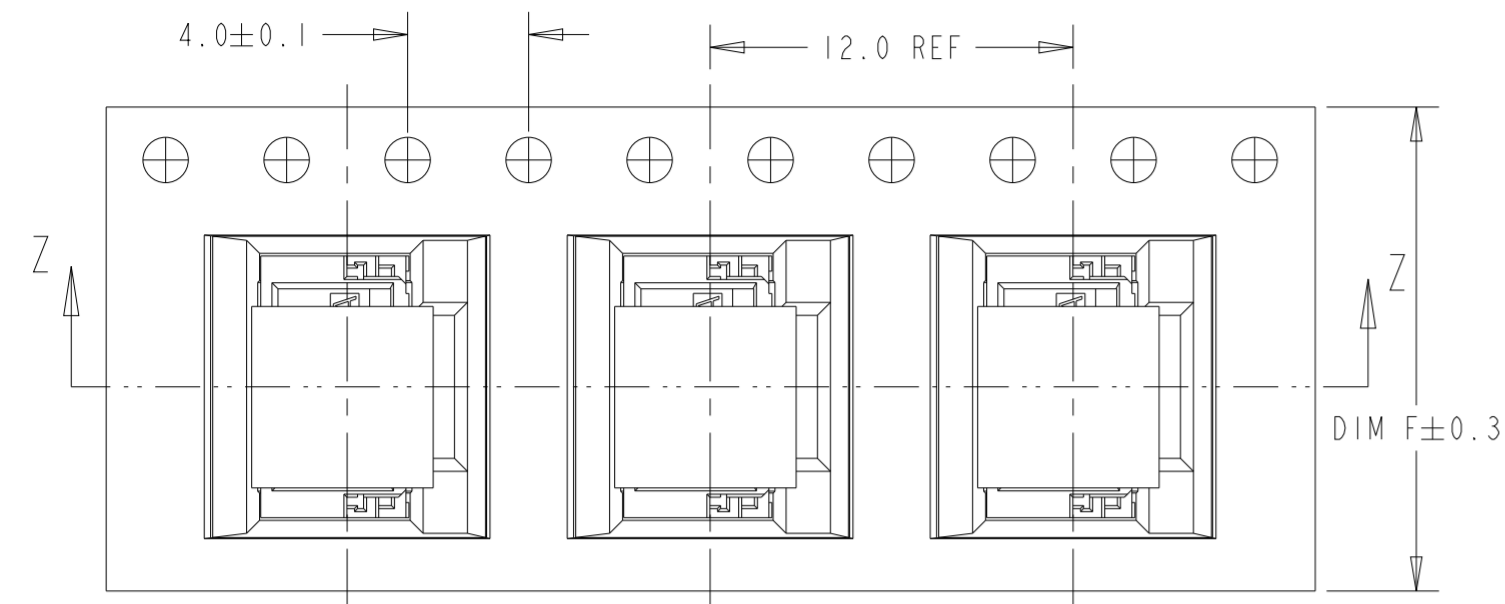
18 POSITION

THIS DRAWING IS A CONTROLLED DOCUMENT.		DWN R. SMITH 12SEP2019	 TE Connectivity	
DIMENSIONS: mm		CHK L. CHEN 12SEP2019		
TOLERANCES UNLESS OTHERWISE SPECIFIED:		APVD L. CHEN 12SEP2019	NAME HEADER ASSY, VERTICAL SG1 1.25, SMT TYPE	
0 PLC ±		PRODUCT SPEC 108-106451	SIZE A2	
1 PLC ±0.25		APPLICATION SPEC 114-106457	CAGE CODE 00779	DRAWING NO C-2360540
2 PLC ±0.15		WEIGHT -	RESTRICTED TO -	
3 PLC ±		CUSTOMER DRAWING	SCALE 5:1	SHEET 3 OF 4
4 PLC ±				REV B2
ANGLES ±				
FINISH				

© 2019 TE Connectivity. All Rights Reserved.

REVISIONS				
P	LTR	DESCRIPTION	DATE	APVD
-	-	SEE SHEET 1	-	-

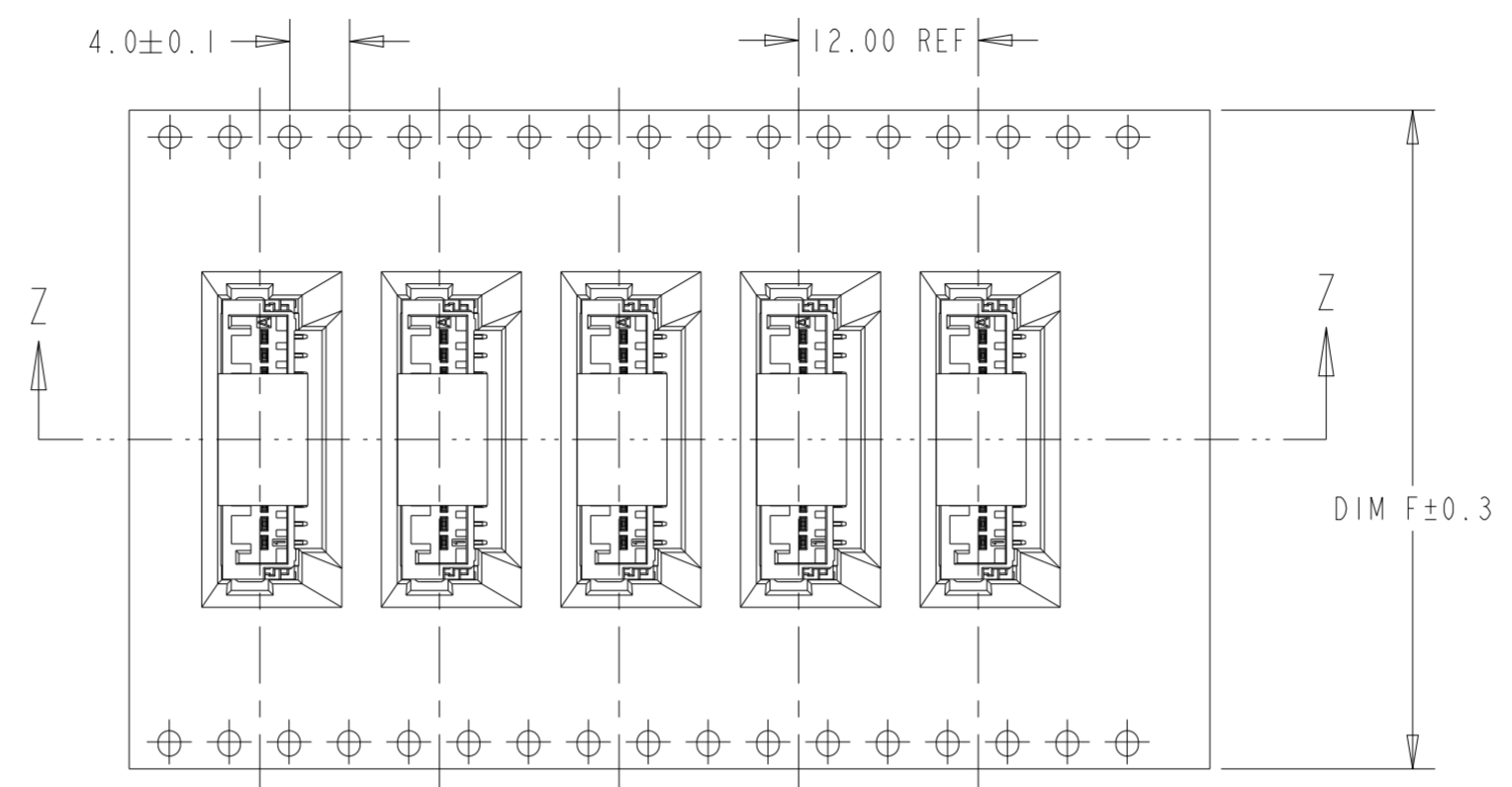
USER DIRECTION OF UNREELING →



SCALE 4:1

SECTION Z-Z
FOR 2-7 POSITIONS

USER DIRECTION OF UNREELING →



SCALE 2:1

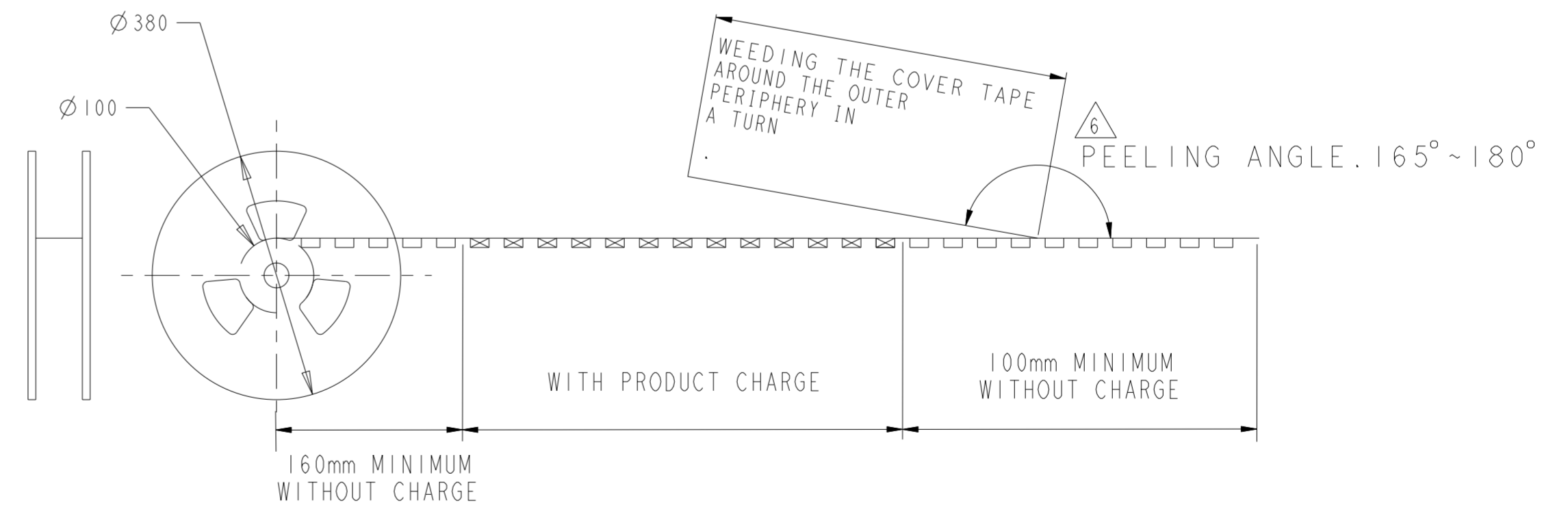
SECTION Z-Z
FOR 8-18 POSITIONS

12-18	44.0	1000
8-11	32.0	1000
3-7	24.0	1000
2	16.0	1000
POSITION	DIM F	QTY/REEL

NOTES FOR PACKAGE:

5. UNLESS OTHERWISE SPECIFIED TOLERANCE PER EIA-481.

6. EMBOSS TAPE PEELING STRENGTH : 0.1N ~ 1.3N
 PEELING CONDITION
 PEELING ANGLE : 165~180°
 PEELING SPEED : 300mm/MINUTE



THIS DRAWING IS A CONTROLLED DOCUMENT.		DWN R. SMITH 12SEP2019	TE Connectivity	
DIMENSIONS: mm		CHK L. CHEN 12SEP2019		
TOLERANCES UNLESS OTHERWISE SPECIFIED:		APVD L. CHEN 12SEP2019	NAME HEADER ASSY, VERTICAL SG1 1.25, SMT TYPE	
0 PLC ± 1 PLC ±0.25 2 PLC ±0.15 3 PLC ± 4 PLC ±		PRODUCT SPEC 108-106451	SIZE A2	
MATERIAL 1		APPLICATION SPEC 114-106457	CAGE CODE 00779	DRAWING NO C-2360540
ANGLES FINISH 2		WEIGHT -	RESTRICTED TO -	SCALE 5:1
		CUSTOMER DRAWING	SHEET 4 OF 4	REV B2