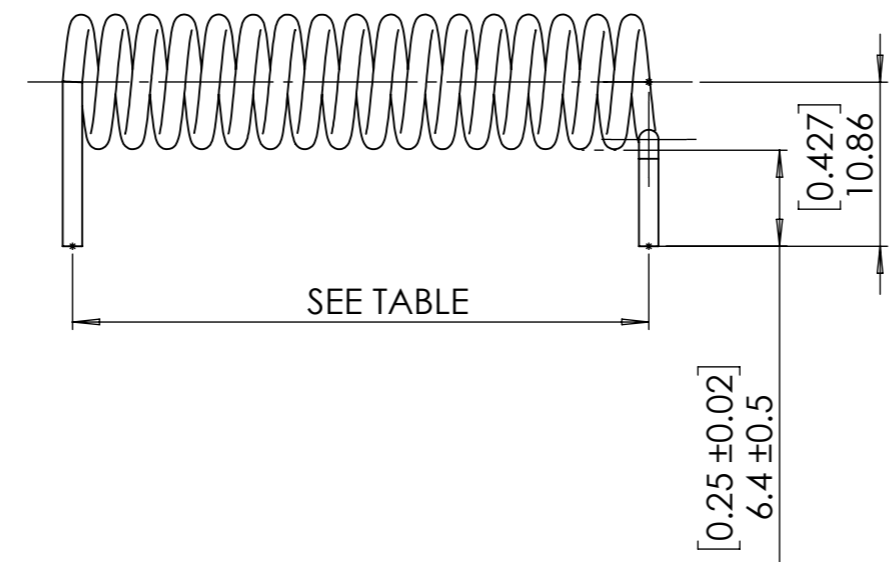
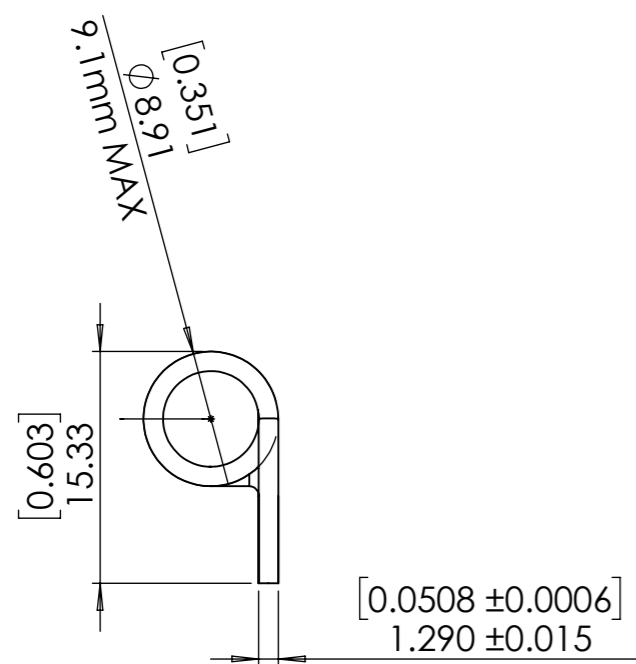


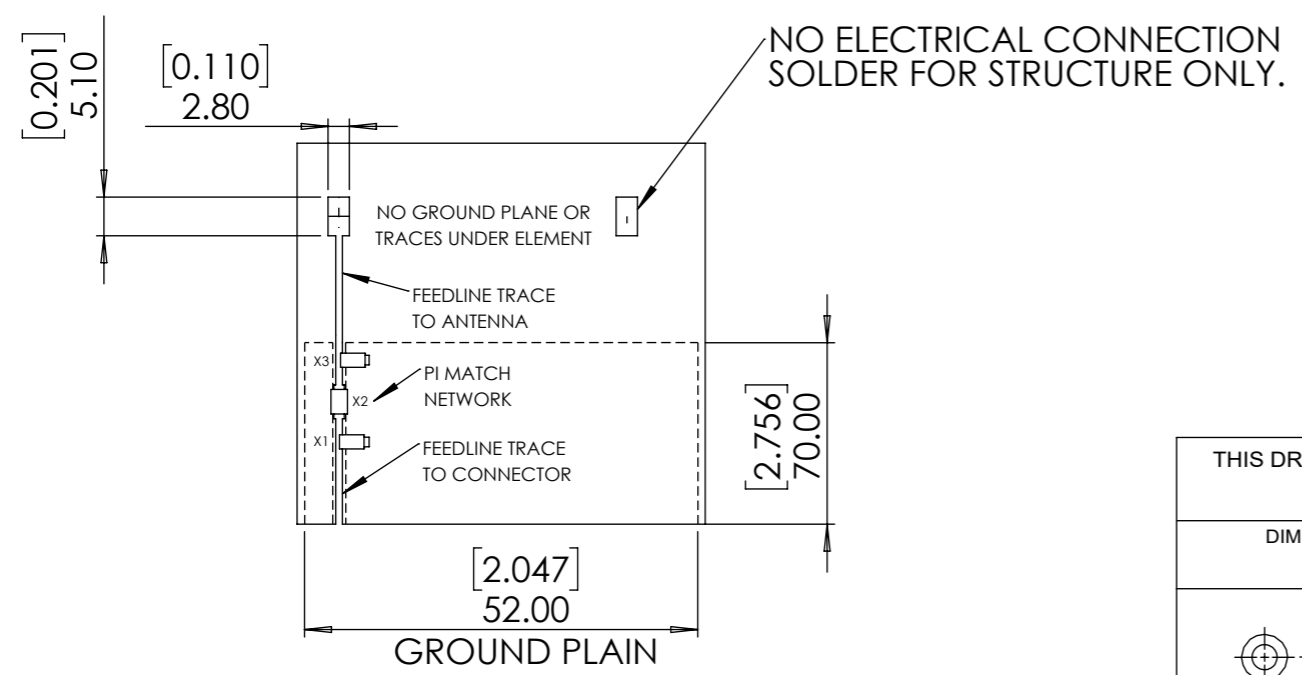
REV	DESCRIPTION	DATE	DWN	APVD
A	INITIAL RELEASE OF CUSTOMER DRAWING	11/6/2023	JH	CM

DWG NO
C-ANT-FFF-HESM

THIS DRAWING IS A CONTROLLED DOCUMENT



- ALL DIMENSIONS ARE IN MM [INCHES].
- ALL MATERIALS PRODUCT AND PROCESSES MUST MEET REQUIREMENT OF TE CONNECTIVITY ENVIRONMENTAL STANDARD TEC-138-702 CONTAINS NO BANNED OR RESTRICTED SUBSTANCES.
- NO REACH SVHC SHALL BE CONTAINED ABOVE THE TRESHOLD AS DEFINED IN REACH SVHC COMPLIANCE DEFINITION IN ANNEX "A" OF TEC-138-702.
- ELECTRICAL DATA SHOWN FOR REFERENCE ONLY. SEE DATA SHEET FOR COMPLETEDOCUMENTATION.
 - FREQUENCY: SEE TABLE
 - MAX POWER: 15W
 - OMNIDIRECTIONAL
 - 1/4 WAVE TYPE
 - MONOPOLE
 - IMPEDANCE: 50Ω
- ANTENNA QUALIFIED IAW 108 INTERNAL TEST DOCUMENT AT LATEST REVISION.
- MECHANICAL :
 - ASSEMBLY: THRU-HOLE SOLDERED IAW IPC-A-610 ORE REFLOW COMPATABLE DIRECT PCB ATTACHMENT.
 - OPERATING AND STORAGE TEMPERATURE: -40°C - +85°C
 - 3 ELEMENT SURFACE MATCHING NETWORK RECOMMENDED. SEE DATASHEET FOR DETAILS.
 - USE BEST PRACTICES FOR DESIGNING TRANSMISSION LINES USING RF COMPONENTS.
 - 315MHz VERSION OF THE ANTENNA AND BOARD LAYOUT SHOWN. SEE TABLE FOR DETAILS.



SUGGESTED BOARD LAYOUT AND TUNING NETWORK

PART NUMBER	FREQ	WIDTH
ANT-315-HESM	315	3.81 ±1 [1.5±.04]
ANT-418-HESM	418	3.81 ±1 [1.5±.04]
ANT-433-HESM	433	3.81 ±1 [1.5±.04]
ANT-868-HESM	916	2.54 ±1 [1.0±.04]
ANT-916-HESM	916	2.54 ±1 [1.0±.04]

THIS DRAWING IS A CONTROLLED DOCUMENT.		DWN	JHAGER	11/6/23																					
		CHK	CLEWIS	11/6/23																					
		APVD	CMURPHY	11/6/23																					
		PRODUCT SPEC	-																						
		APPLICATION SPEC	-		<h2>HE SERIES HELICAL ANTENNA SURFACE PAD MOUNT</h2>																				
<table border="1"> <tr> <th>DIMENSIONS:</th> <th>TOLERANCES UNLESS OTHERWISE SPECIFIED:</th> </tr> <tr> <td>mm</td> <td></td> </tr> <tr> <td>0 PLC</td> <td>± 0.5</td> </tr> <tr> <td>1 PLC</td> <td>± 0.25</td> </tr> <tr> <td>2 PLC</td> <td>± 0.13</td> </tr> <tr> <td>3 PLC</td> <td></td> </tr> <tr> <td>4 PLC</td> <td></td> </tr> <tr> <td>ANGLES</td> <td>± 30'</td> </tr> </table>		DIMENSIONS:	TOLERANCES UNLESS OTHERWISE SPECIFIED:	mm					0 PLC	± 0.5	1 PLC	± 0.25	2 PLC	± 0.13	3 PLC		4 PLC		ANGLES	± 30'	SIZE	A3	CAGE CODE	00779	DRAWING NO
DIMENSIONS:	TOLERANCES UNLESS OTHERWISE SPECIFIED:																								
mm																									
0 PLC	± 0.5																								
1 PLC	± 0.25																								
2 PLC	± 0.13																								
3 PLC																									
4 PLC																									
ANGLES	± 30'																								
MATERIAL		CuSnP C5100-H08 BRONZE, GRADE A		FINISH		NONE		WEIGHT		g															
CUSTOMER DRAWING								SCALE	2:1	SHEET	1 OF 1	REV	A												