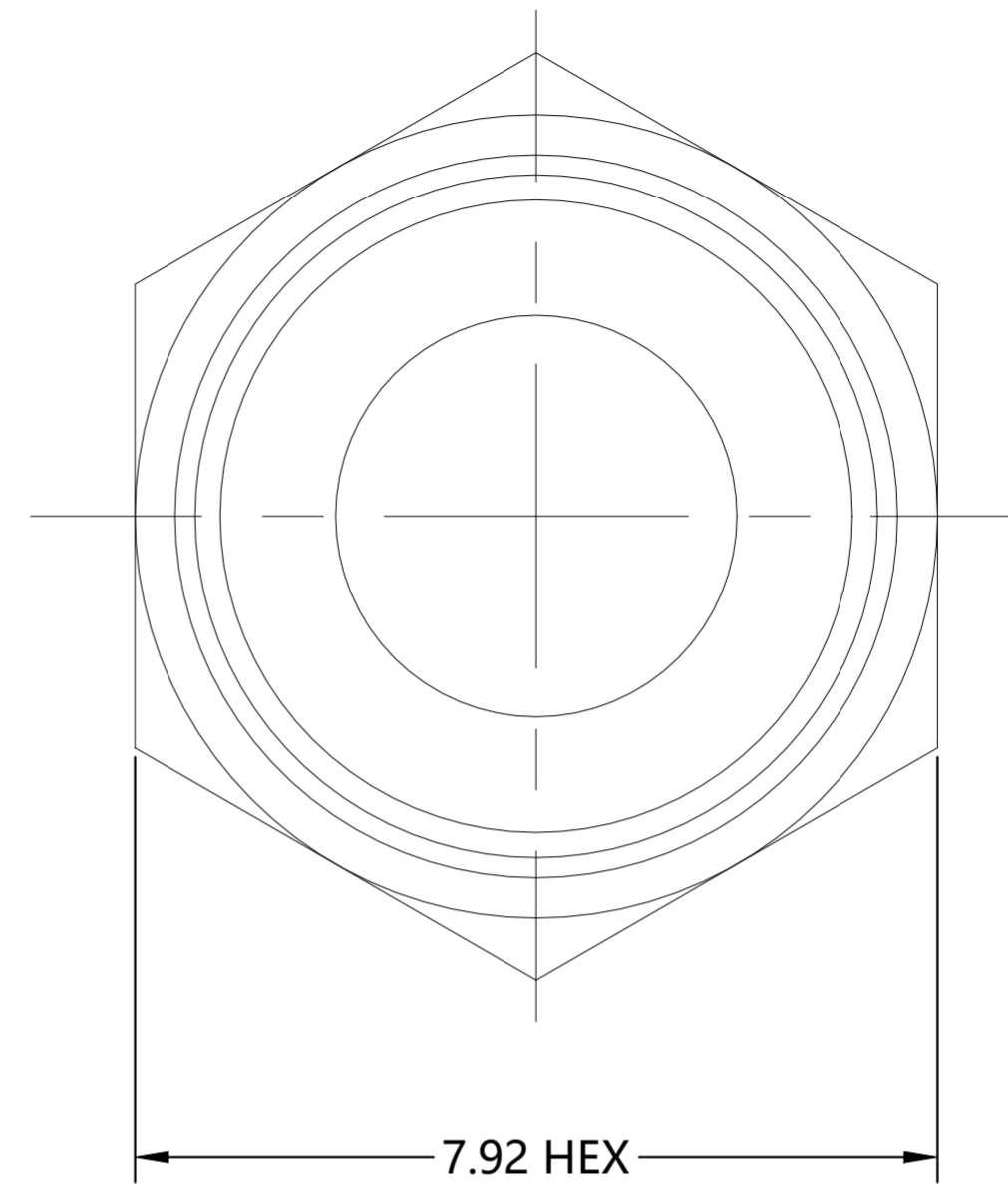
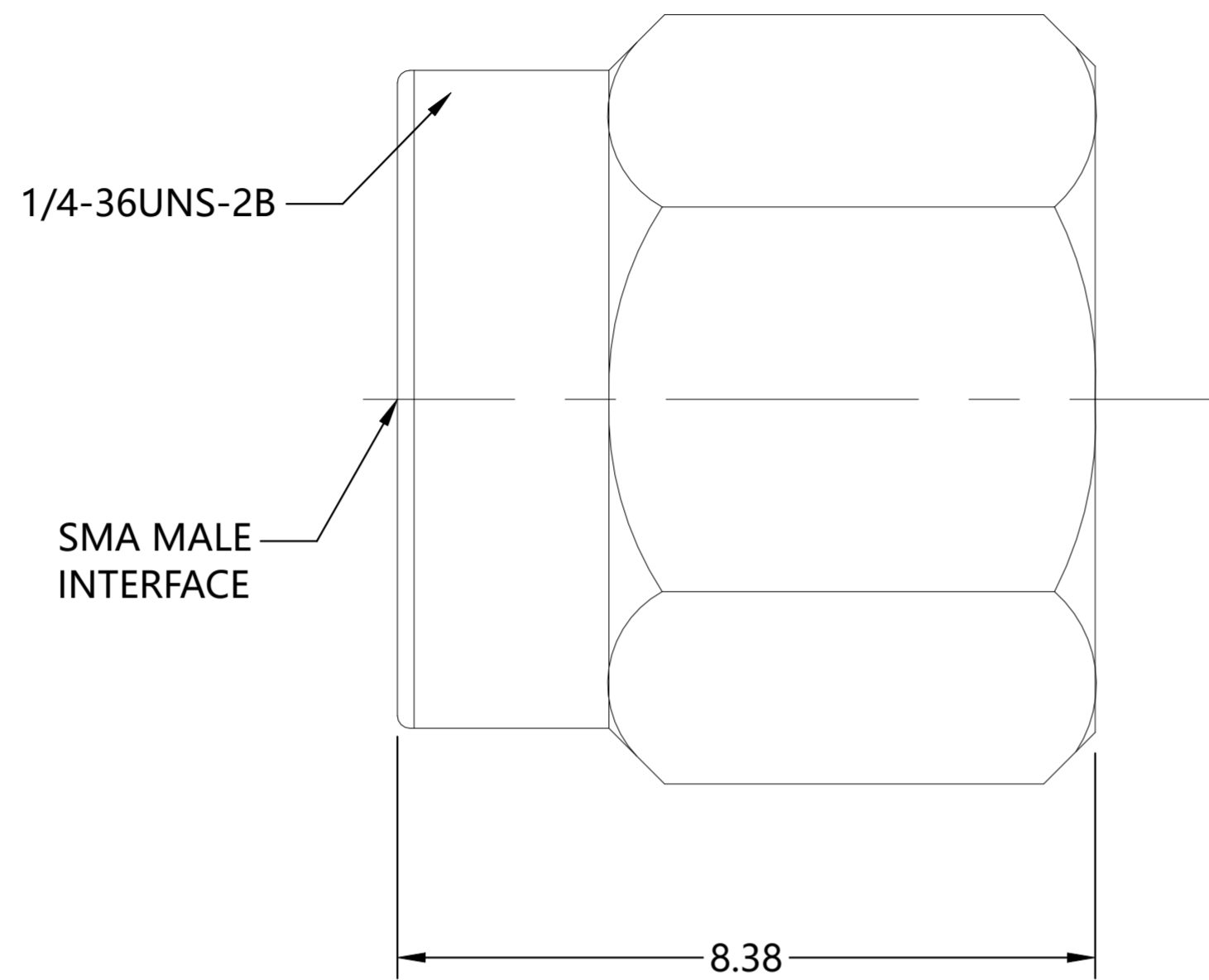


REVISIONS				
P	LTR	DESCRIPTION	DATE	APVD
A		ECN-23-236785;GTP	26OCT2023	TP WH



ELECTRICAL	MECHANICAL	ENVIRONMENTAL
Impedance (Ohm): <u>50</u> Frequency Range: <u>DC to 26.5GHz</u> Voltage Rating (Peak) @ Sea Level <u>355 V RMS</u> Insulation Resistance (MIN.) <u>N/A</u> Contact Resistance (mohms MAX) Center Contact <u>N/A</u> Outer Contact <u>N/A</u> Dielectric Withstand Voltage: <u>N/A</u> Insertion Loss : <u>N/A</u> VSWR: <u><1.15 @ DC ~ 26.5GHz</u> POWER HANDLING: <u>0.5W (AVG.)</u> <u>100W (MAX)</u>	Interface Dimension <u>SMA</u> Force to Engage and Disengage Engage: <u>N/A</u> Disengage: <u>N/A</u> Center Contact Captivation Axial (lbs) <u>6 MIN</u> Radial (In/Oz) <u>N/A</u> Recommend Coupling Torque <u>7-10 in-lbs</u> Coupling Nut Retention Force <u>60 lbs MIN.</u> Cable Retention Axial (Lbs) <u>N/A</u> Mating cycles <u>500 cycles</u>	TEMPERATURE RANGE <u>-55 °C ~ +125 °C</u> ROHS <u>COMPLIANT</u>

2441518-1	COVER	STAINLESS STEEL	GOLD
	RING	STAINLESS STEEL	N/A
	GASKET	SILICONE	RED
	SHELL	STAINLESS STEEL	PASSIVATION
	CONTACT PIN	BERYLLIUM COPPER	GOLD
	INSULATOR	PTFE	N/A
	BODY	STAINLESS STEEL	GOLD
PART NUMBER	DESCRIPTION	MATERIAL	PLATING

THIS DRAWING IS A CONTROLLED DOCUMENT.		DWN	ED	26JUN2023	
		CHK	ED	26JUN2023	
		APVD	WH	26JUN2023	
		PRODUCT SPEC			
DIMENSIONS: mm		TOLERANCES UNLESS OTHERWISE SPECIFIED:		NAME	
		0 PLC	±	-	SMA PLUG 50 OHM FOR LOAD
		1 PLC	±	0.3	-
		2 PLC	±	0.2	-
		3 PLC	±	0.1	-
		4 PLC	±	-	-
		ANGLES	±	5°	-
MATERIAL	FINISH	WEIGHT	SIZE		CAGE CODE
-	-	-	A2		00779
CUSTOMER DRAWING		DRAWING NO		RESTRICTED TO	
		C=2441518		-	
		SCALE	1:1	SHEET	1 of 1
		REV		A	