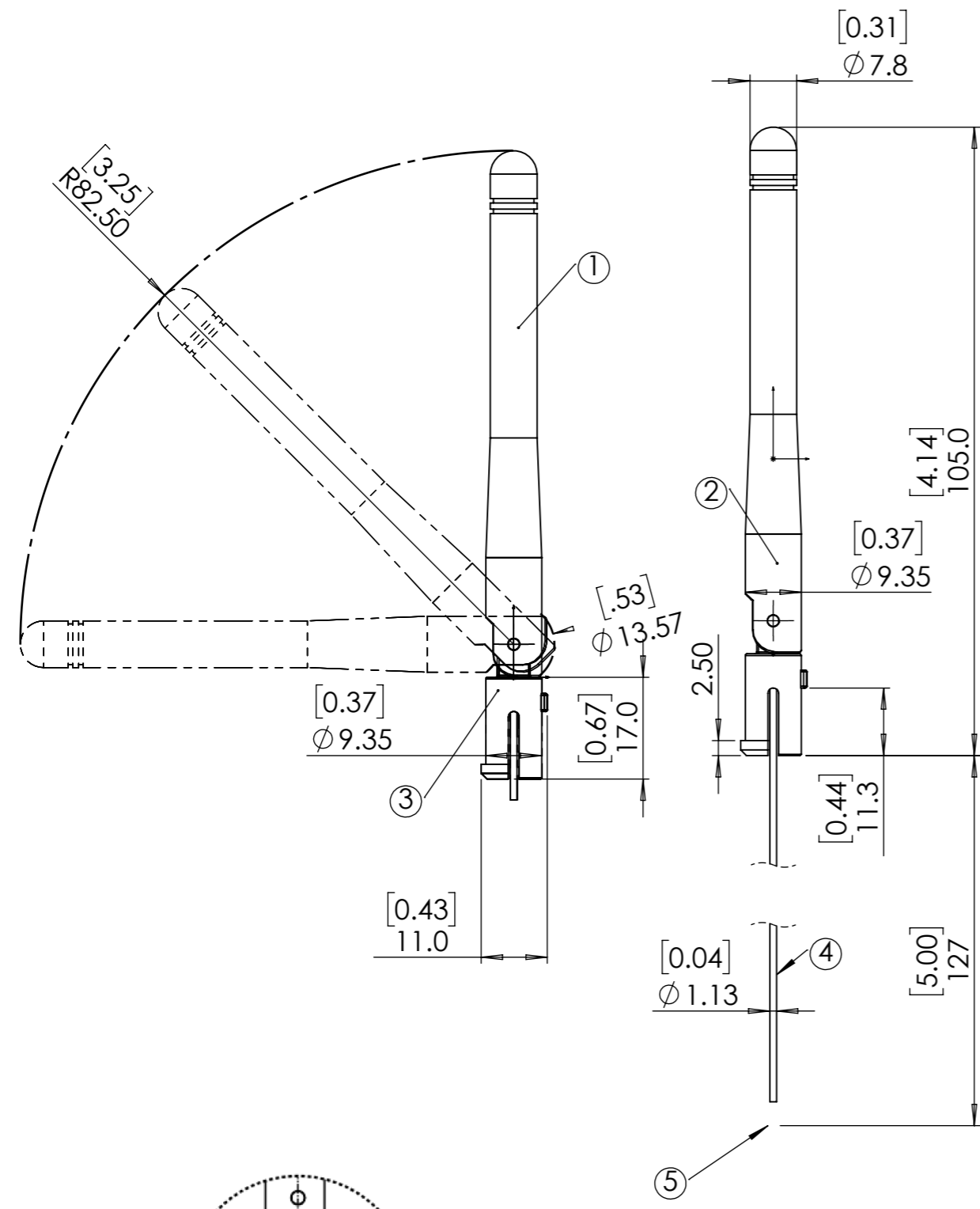
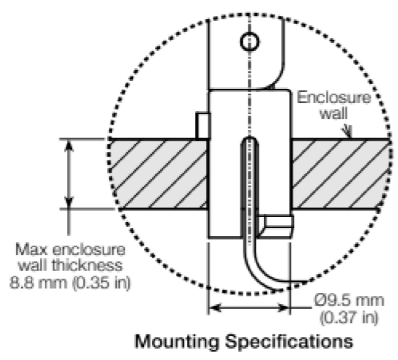


REVISIONS				
REV	DESCRIPTION	DATE	DWN	APVD
A	CUSTOMER DRAWING RELEASE	11/13/2023	JH	CM



- ALL DIMENSIONS ARE IN MM [INCHES].
- ALL MATERIALS PRODUCT AND PROCESSES MUST MEET REQUIREMENT OF TE CONNECTIVITY ENVIRONMENTAL STANDARD TEC-138-702 CONTAINS NO BANNED OR RESTRICTED SUBSTANCES.
- NO REACH SVHC SHALL BE CONTAINED ABOVE THE TRESHOLD AS DEFINED IN REACH SVHC COMPLIANCE DEFINITION IN ANNEX "A" OF TEC-138-702.
- ELECTRICAL DATA SHOWN FOR REFERENCE ONLY.
 - FREQUENCY: 2.4~2.5GHz / 5.15~5.85GHz
 - MAX POWER: 3W
 - OMNIDIRECTIONAL
 - GAIN: 2.0 dBi
 - DIPOLE TYPE
 - IMPEDANCE: 50Ω
 - VSWR <1.9 TYP @ CENTER
- ANTENNA QUALIFIED IAW 108-161079 INTERNAL TEST DOCUMENT AT LATEST REVISION.
- MECHANICAL :
 - INTERFACE: MHF1 IPEX FOR 1.13mm CABLE OR EQUIVINALT PART
 - COAX CABLE: 1.13mm 50Ω IMPEDANCE MID BEND RADIUS 5mm
 - OPERATING AND STORAGE TEMPERATURE: -20°C - +85°C
- PANEL MOUNT INSERT. $\phi 9.5$ SUGGESTED THROUGH HOLE.
- PANEL THICKNESS: 7.93-8.73mm [5/16-11/32"]

ITEM LIST	
ITEM	DESCRIPTION
1	RADOME HOUS TPEE BLACK
2	BASE UPPER SWIVEL PC BLACK
3	BASE MOUNTING PC BLACK
4	CABLE COAX 1.13mm GRAY/BLACK
5	CONN MHF1/U.FL 20278-112R-13 OR EQ



THIS DRAWING IS A CONTROLLED DOCUMENT.		DWN	JHAGER	11/13/23	 TE Connectivity	Panel-Mount Dipole WiFi/WLAN Antenna						
DIMENSIONS: mm		CHK	CLEWIS	11/13/23								
TOLERANCES UNLESS OTHERWISE SPECIFIED:		APVD	CMURPHY	11/13/23								
0 PLC ± 3 1 PLC ± 1.0 2 PLC ± 0.50 3 PLC ± 4 PLC ± ANGLES ± 30'		PRODUCT SPEC	108-161079									
MATERIAL		APPLICATION SPEC	-									
TPEE	FINISH	WEIGHT	g		SIZE	A3	CAGE CODE	00779	DRAWING NO	ANT-DB1-LPD-125	RESTRICTED TO	-
PC		CUSTOMER DRAWING		SCALE	1:1	SHEET	1	OF	1	REV	A	