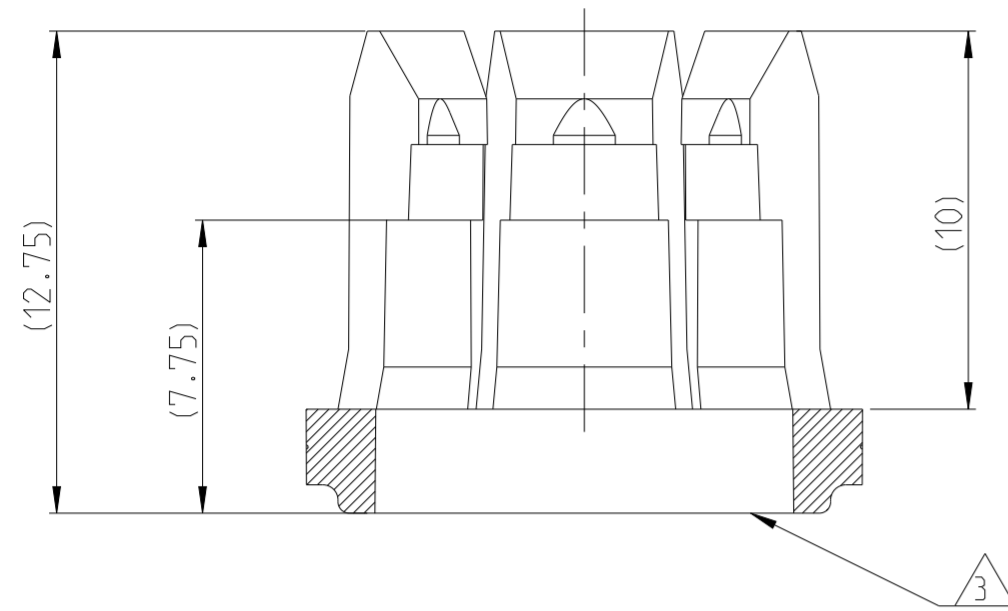


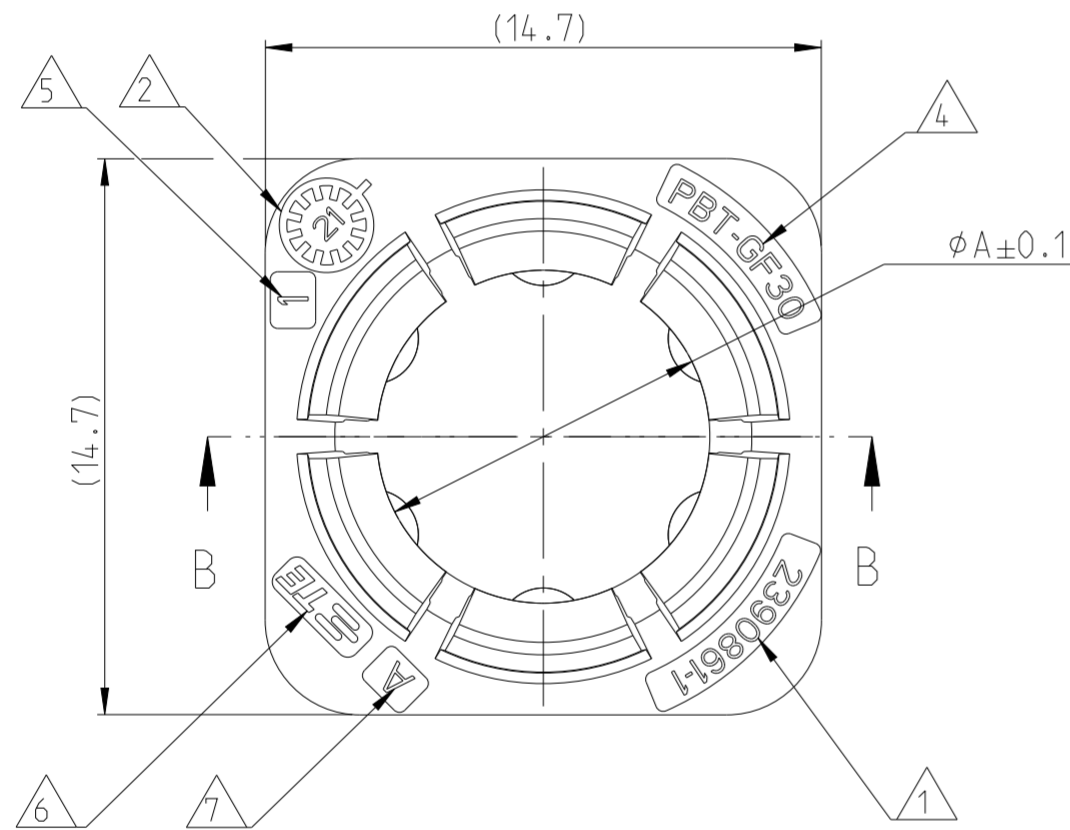
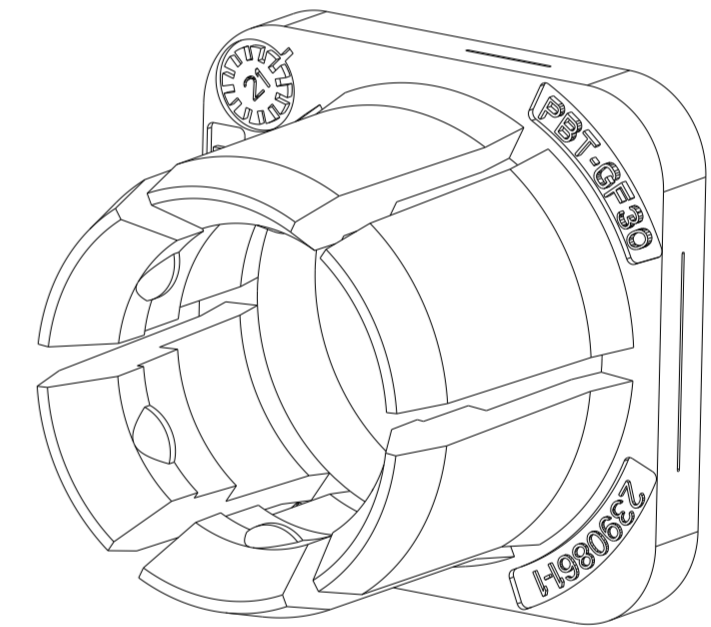
P	LTR	DESCRIPTION	DATE	DWN	APVD
A		NEW DRAWING	10JUN2021	SSH	KPB
A1		PCN-22-148537	03AUG2022	SNS	KPB
A2		PCN-23-184401	17AUG2023	SNS	KPB

SECTION B-B



NOTES

- 1 TE-SINGLE PART NUMBER.
- 2 PRODUCTION DATE.
- 3 SEALING SURFACES. NO FLASH, BURR OR GATEMARK ALLOWED.
- 4 MATERIAL MARKING
- 5 CAVITY MARKING
- 6 TE LOGO
- 7 REVISION MARKING.
- 8 PACKAGING ACCORDING TO V2390861.



A2	9-2390861-1	A	STRAIN RELIEF. 25mm ²	8.8	8.2 -8.8	25	PBT-GF30	0.64	1.5	0.96	BLACK
	2390861-1	A	STRAIN RELIEF. 25mm ²	8.8	8.2 -8.8	25	PBT-GF30	0.64	1.5	0.96	BLACK
TE-PART-NO.	REV	DESCRIPTION	DIM A	ϕ	mm ²	MATERIAL	VOLUME [cm ³]	DENSITY [g/cm ³]	WEIGHT [g]	COLOUR	
						PE CABLE					

DIMENSION AND TOLERANCES ACCORDING TO:
Bemaßungen und Toleranzen gemäß:
DIN 16742
DIN EN ISO 8015 (AD) - DIN EN ISO 291
DIN EN ISO 14405-1/-2/-3

THIS DRAWING IS A CONTROLLED DOCUMENT. DIMENSIONING AND TOLERANCING PER GPS (ISO STANDARDS). TOLERANCES UNLESS OTHERWISE SPECIFIED.

DIMENSIONS:	TOLERANCES UNLESS OTHERWISE SPECIFIED:
mm	
0 PLC	±
1 PLC	±0.5
2 PLC	±0.13
3 PLC	±0.013
4 PLC	±0.0001
ANGLES	±°
FINISH	-

DWN	SUBHAS H	10JUN2021	TE Connectivity
CHK	DEEPAK M L	10JUN2021	
APVD	KASHYAP P B	10JUN2021	
PRODUCT SPEC	108-94900	A2	
APPLICATION SPEC	114-94734		
WEIGHT	-		
CUSTOMER DRAWING			