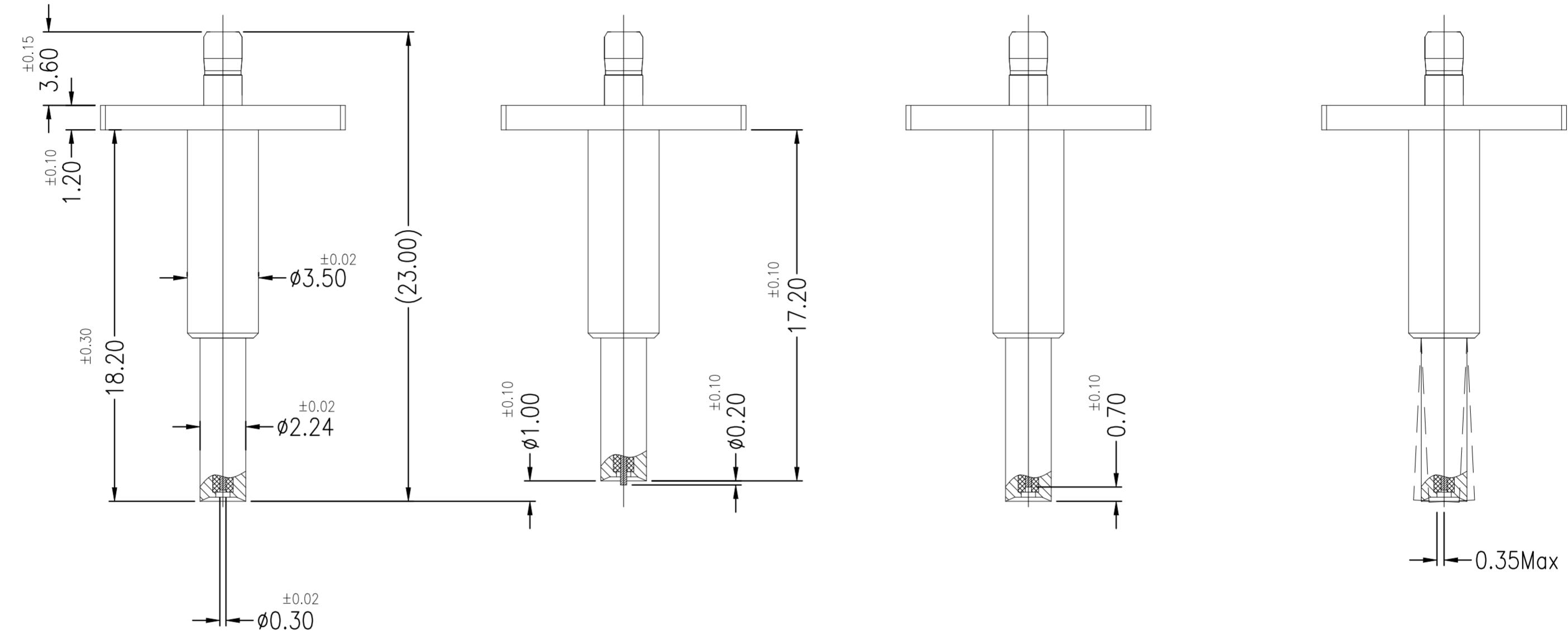
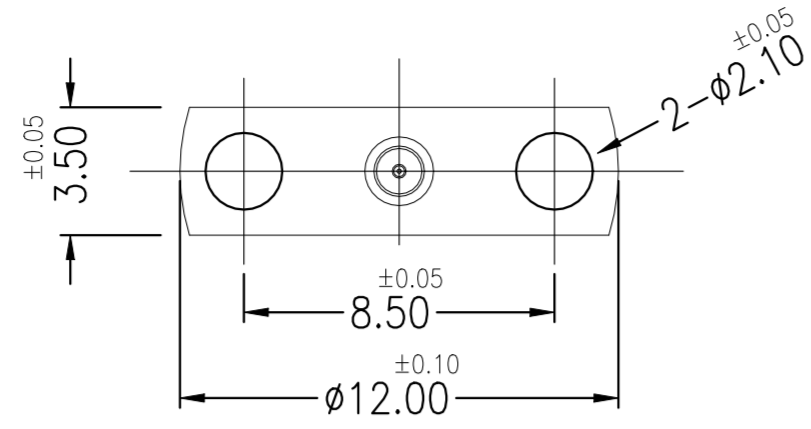


REVISIONS					
P	LTR	DESCRIPTION	DATE	DWN	APVD
A		ECN-23-236785;GTP	26OCT2023	TP	WH



ELECTRICAL	MECHANICAL	ENVIRONMENTAL
Impedance (Ohm): <u>50</u> Frequency Range: <u>DC to 12GHz</u> Voltage Rating (Peak) @ Sea Level <u>1665 V RMS</u> Insulation Resistance (MIN.) <u>500M ohms</u> Contact Resistance (mohms MAX) Center Contact <u>50</u> Outer Contact <u>20</u> Dielectric Withstand Voltage: <u>500 V RMS Max</u> Insertion Loss : <u><0.8 dB</u> VSWR: <u><1.3 @DC ~ 8GHz</u> <u><1.8 @8GHz ~ 12GHz</u>	Interface Dimension <u>ML 51</u> Force to Engage and Disengage Engage: <u>N/A</u> Disengage: <u>N/A</u> Center Contact Captivation Axial (lbs) <u>N/A</u> Radial (In/Oz) <u>N/A</u> Recommend Coupling Torque <u>N/A</u> Flange Retention Force <u>N/A</u> CBL-Connector Retention Force <u>N/A</u> Mating cycles: <u>500 cycles(ML 51)</u> <u>20000 cycles(SWITCH)</u>	TEMPERATURE RANGE <u>-40 °C ~ +125 °C</u> ROHS <u>COMPLIANT</u>

PART NUMBER	DESCRIPTION	MATERIAL	PLATING
2441535-1	OUTER	BERYLLIUM COPPER	PL.GOLD/NICKEL/COPPER
	CONTACT PIN	BERYLLIUM COPPER	PL.GOLD/NICKEL/COPPER
	INSULATOR	TEFLON ASTM-D-1710	N/A
	BODY	BRASS C3604	PL.NICKEL/COPPER

THIS DRAWING IS A CONTROLLED DOCUMENT.		DWN	ED	27JUN2023		TE Connectivity	
DIMENSIONS: mm		CHK	ED	27JUN2023		NAME	
TOLERANCES UNLESS OTHERWISE SPECIFIED:		APVD	WH	27JUN2023		ML51 MALE TO RF SWITCH 6 Adapter	
0 PLC ± - 1 PLC ± 0.3 2 PLC ± 0.2 3 PLC ± 0.1 4 PLC ± - ANGLES ± 5°		PRODUCT SPEC				SIZE	
MATERIAL	FINISH	WEIGHT	A2 00779		CAGE CODE	DRAWING NO	RESTRICTED TO
			C=2441535				
CUSTOMER DRAWING			SCALE	1:1	SHEET	1 of 1	REV
							A