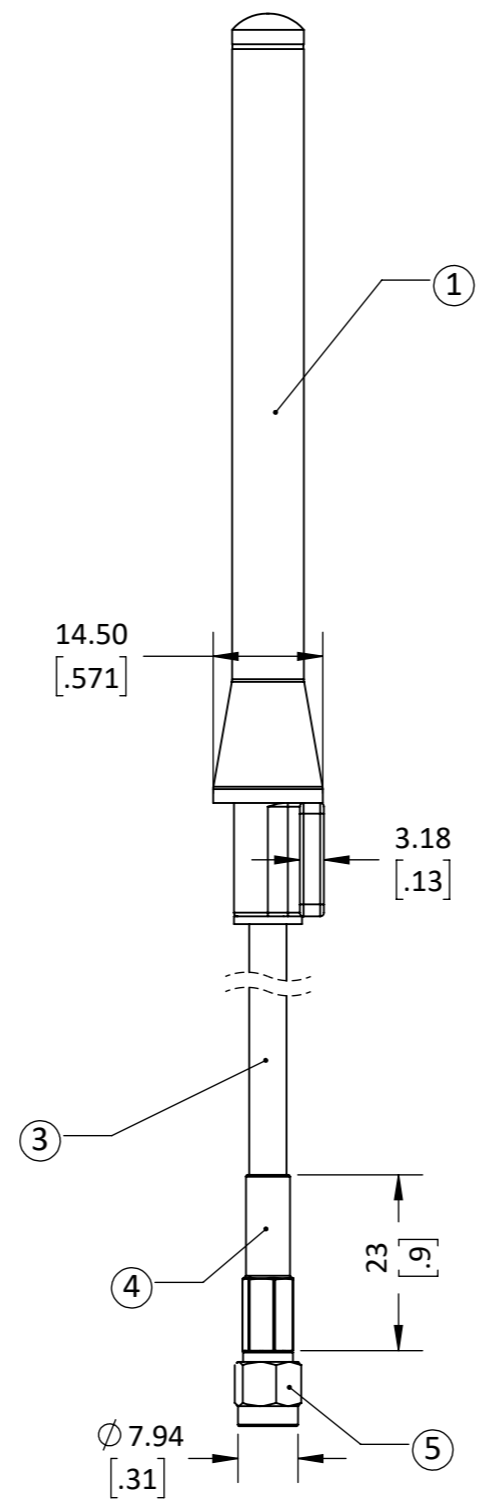
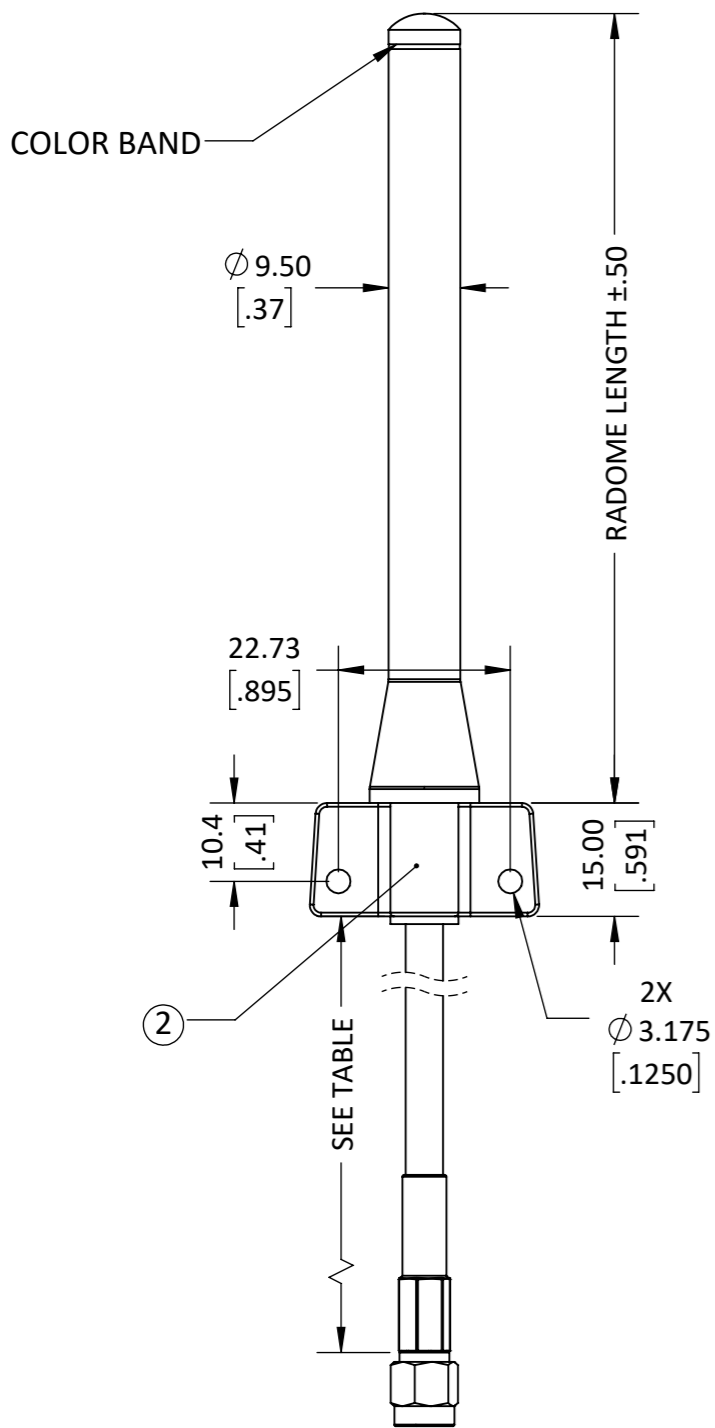


REVISIONS			
REV	DESCRIPTION	DATE	APPV
A	CUSTOMER DRAWING RELEASE	12/1/2023	CM

THIS DRAWING IS A CONTROLLED DOCUMENT DWG NO ANT-FFF-ID-LLLL-CCC



- NOTES: (UNLESS OTHERWISE SPECIFIED)
- ALL DIMENSIONS ARE IN MILLIMETERS [INCHES].
 - DIMENSIONS APPLY AFTER FINISHING.
 - ALL MATERIALS PRODUCT AND PROCESSES MUST MEET REQUIREMENT OF TE CONNECTIVITY ENVIRONMENTAL STANDARD TEC-138-702 CONTAINS NO BANNED OR RESTRICTED SUBSTANCES. NO REACH SVHC SHALL BE CONTAINED ABOVE THE TRESHOLD AS DEFINED IN REACH SVHC COMPLIANCE DEFINITION IN ANNEX "A" OF TEC-138-702.
 - ELECTRICAL SPECIFICATIONS ARE FOR REFERENCE ONLY. SEE DATA SHEET FOR COMPLETE ELECTRICAL PROPERTIES.
 - WAVELENGTH: 1/2 WAVE
 - IMPEDANCE: 50 OHMS
 - POLARIZATION: LINEAR
 - RADIATION: OMNI-DIRECTIONAL
 - MAX POWER: 10 WATTS
 - ANTENNA QUALIFIED IAW TE PRODUCT SPECIFICATION
 - MECHANICAL PROPERTIES:
 - MOUNTING TYPE: MECHANICAL FASTENER [Ø3mm MAX] .56Nm [5.2in/lbs]
 - INTERFACE: SEE TABLE. ALL INTERFACE IAW [MIL-STD-348B] AND PART 15 COMPLIANT RP-SMA VARIATION.
 - CABLE TYPE: LOW LOSS RG58U COAXIAL
 - MINIMUM BEND RADIUS 20mm [3/4"]
 - OPERATING TEMPERATURE RANGE: -40°C TO +80°C
 - UV RESISTANCE: UL 2556 SECTION 4.2.8.5 OR EQUIVALENT
 - INGRESS PROTECTION: IP-67
 - SHIPPING: EACH UNIT PACKAGED INDIVIDUALLY

LIST OF MATERIALS	
ITEM	DESCRIPTION
1	ANTENNA RADOME TPC-ET BLACK
2	MOUNTING BASE NYLON 6/6 BLACK
3	CABLE COAX RG58U BLACK
4	SHRINK POLYOL 2:1 BLACK
5	CONNEC TYE [SEE TABLE] NICKEL/BRASS

PART NUMBER	FREQUENCY	COLOR BAND	CONN TYPE	CABLE LENGTH	RADOME LENGTH
L9000149-01	868MHZ	PMS 429C	SMA	1000±30	119.6 [4.71]
L9000151-01	868MHZ	PMS 429C	SMA	2000±30	119.6 [4.71]
L9000148-01	868MHZ	PMS 429C	RPS	1000±30	119.6 [4.71]
L9000150-01	868MHZ	PMS 429C	RPS	2000±30	119.6 [4.71]
L9000158-01	916MHZ	PMS 116C	SMA	1000±30	119.6 [4.71]
L9000160-01	916MHZ	PMS 116C	SMA	2000±30	119.6 [4.71]
L9000157-01	916MHZ	PMS 116C	RPS	1000±30	119.6 [4.71]
L9000159-01	916MHZ	PMS 116C	RPS	2000±30	119.6 [4.71]
L9000076-01	2.4GHZ	PMS 246U	SMA	1000±30	104.4 [4.11]
L9000078-01	2.4GHZ	PMS 246U	SMA	2000±30	104.4 [4.11]
L9000075-01	2.4GHZ	PMS 246U	RPS	1000±30	104.4 [4.11]
L9000077-01	2.4GHZ	PMS 246U	RPS	2000±30	104.4 [4.11]

THIS DRAWING IS A CONTROLLED DOCUMENT.

DWN JHAGER 11/30/23
 CHK CLEWIS 11/30/23
 APVD HARRY C 11/30/23

PRODUCT SPEC 108-161079

APPLICATION SPEC -

WEIGHT 70 g

CUSTOMER DRAWING

DIMENSIONS: mm [IN]

TOLERANCES UNLESS OTHERWISE SPECIFIED:

0 PLC ± 1
 1 PLC ± 0.3
 2 PLC ± 0.20
 3 PLC ± 0.150
 4 PLC ANGLES ± 30'

MATERIAL FINISH

TE TE Connectivity

ANTENNA ID 1/2 WAVE DIPOLE WITH RG58 CABLE AND SMA TYPE CONNECTOR

SIZE **A3** CAGE CODE 00779 DRAWING NO ANT-FFF-ID-LLLL-CCC RESTRICTED TO -

SCALE 1:1 SHEET 1 OF 1 REV **A**