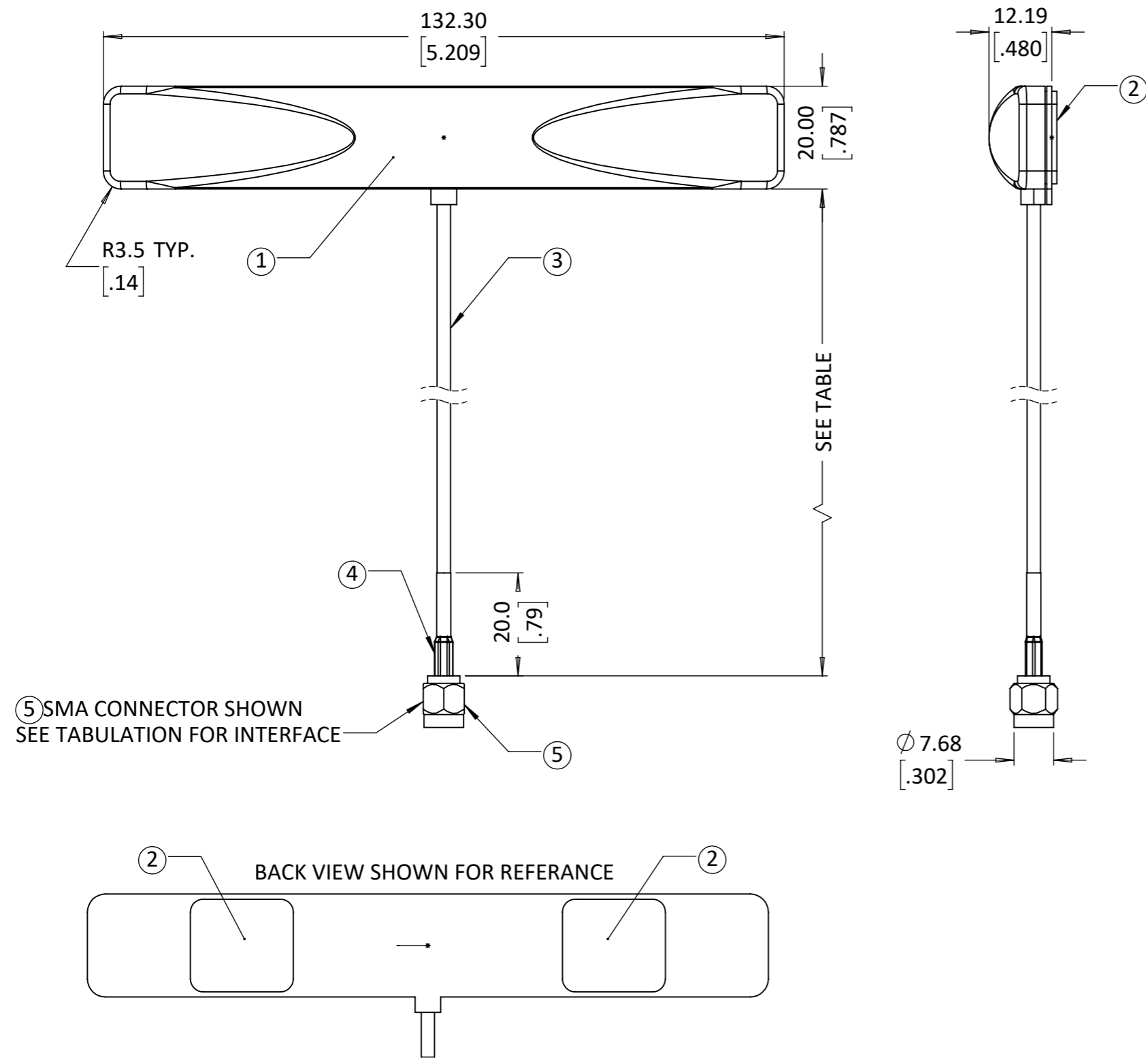


THIS DRAWING IS A CONTROLLED DOCUMENT

DWG NO
ANT-DB1-HDP-CCC



⑤ SMA CONNECTOR SHOWN
SEE TABULATION FOR INTERFACE

BACK VIEW SHOWN FOR REFERANCE

REV	DESCRIPTION	DATE	DWN	APVD
A	PRODUCTION RELEASE	11/30/2023	JH	CM

- ALL DIMENSIONS ARE IN MILLIMETERS [INCHES].
- DIMENSIONS APPLY AFTER FINISHING.
- MANUFACTURE TO BE COMPLIANT WITH EU RoHS DIRECTIVE, USE MATERIALS THAT DO NOT CONTAIN REACH SUBSTANCES OF VERY HIGH CONCERN >1000ppm, AND USE DRC CONFLICT-FREE SOURCED MATERIALS.
- ELECTRICAL SPECIFICATIONS ARE FOR REFERENCE ONLY.
 - WAVELENGTH: 1/2 WAVE
 - IMPEDANCE: 50 OHMS
 - POLARIZATION: LINEAR (H) OR (V)
 - RADIATION: OMNI-DIRECTIONAL
 - MAX POWER: 25 WATTS
 - GAIN: 3dBi
 - FREQUENCY:
 - BAND 1: VSWR <1.5:1 @ 860-960MHz
 - BAND 2: VSWR <1.9:1 @ 1.77-1.88GHz
 - BAND 3: VSWR <1.9:1 @ 2.40-2.48GHz
 - 200MHz BANDWIDTH
- MECHANICAL PROPERTIES:
 - MOUNTING TYPE: 3M PSA ADHESIVE PATCH
 - INTERFACE: TYPE, SEE TABLE IAW INDUSTRY STANDARD CONFIGURATION [MIL-STD-348B]
 - CABLE TYPE: LOW LOSS RG-174/U COAXIAL: MINIMUM BEND RADIUS 11mm [7/16"]
 - OPERATING TEMPERATURE RANGE: -20°C TO +60°C AFTER FULL CURE.
 - STORAGE TEMPERATURE SHOULD NOT EXCEED 21°C @50%RH TO ACHIEVE FULL ADHESION PROPERTIES.
- PACK SEPARATELY IN 11cmX20cm POLY BAG AND PACK 100PC/CARTON. LABEL IAW TEC-107-115PACKAGEING SPECIFICATIONS.
- CLEAN SURFACES BEFORE APPLICATION USING IPA CLEANER AND THOUGHUGHLY DRY.
- ENSURE THERE ARE NO LARGE SURFACE GAPS OR DEFECTS
- REMOVE BACKING AND APPLY ANTENNA TO SURFACE USING EVEN PRESSURE .
- APPLY ON SURFACES BETWEEN 21°C AND 38°C TO ENSURE BEST BOND

LIST OF MATERIALS	
ITEM	DESCRIPTION
1	ANTENNA BODY 2-PC ABS PA-767 BLACK
2	ADHESIVE PATCH 2PC 1mm ACRYLIC FOAM
3	CABLE COAX RG174 BLACK
4	HEAT SHRINK POLYOL 2:1 BLACK
5	CONNECTOR [SEE TABLE] TYPE GOLD/BRASS

PART NUMBER	CONNECTOR	CABLE LENGTH
ANT-DB1-HDP-SMA	SMA TYPE	3000 ± 30 [117.6 ± 1.18]
ANT-DB1-HDP-RPS	RP-SMA TYPE	3000 ± 30 [117.6 ± 1.18]
ANT-DB1-HDP-TNC	TNC TYPE	3000 ± 30 [117.6 ± 1.18]

THIS DRAWING IS A CONTROLLED DOCUMENT.	
DIMENSIONS: mm	TOLERANCES UNLESS OTHERWISE SPECIFIED:
	0 PLC ± 2.0
	1 PLC ± 0.3
	2 PLC ± 0.25
	3 PLC ± 0.130
	4 PLC ANGLES ± 30'
MATERIAL	FINISH

DWN	JHAGER	11/30/23
CHK	JHAGER	11/30/23
APVD	HARRY C	11/30/23
PRODUCT SPEC	-	-
APPLICATION SPEC	-	-
WEIGHT	g	-
CUSTOMER DRAWING		

TE TE Connectivity

**ANTENNA DB1 HDP TRI-BAND
ADHESIVE MOUNT INDOOR ANTENNA**

SIZE	CAGE CODE	DRAWING NO	RESTRICTED TO
A3	00779	ANT-DB1-HDP-CCC	-
SCALE 1:1		SHEET 1 OF 1	REV A