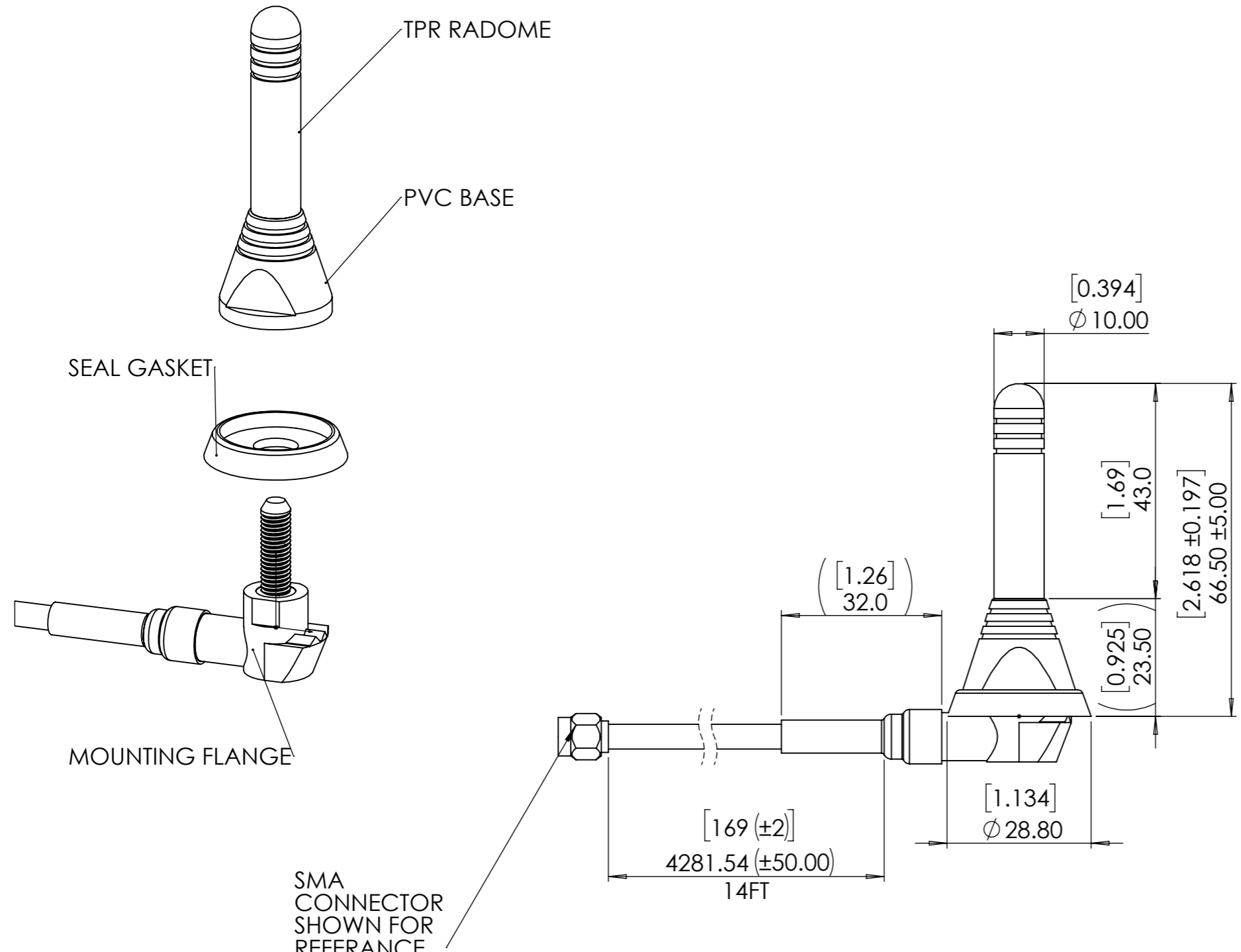
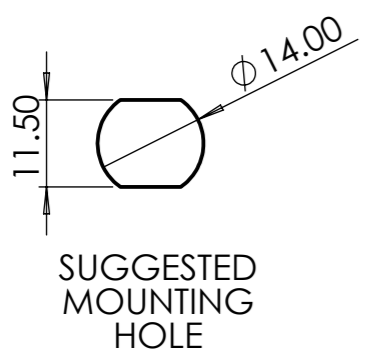


REV	DESCRIPTION	DATE	DWN	APVD
1	PRODUCTION RELEASE	12/8/2023	JH	CM

DWG NO  
ANT-DB1-RMS-CCC



- NOTES: (UNLESS OTHERWISE SPECIFIED)
- ALL DIMENSIONS ARE IN MILLIMETERS [IN].
  - DIMENSIONS APPLY AFTER FINISHING.
  - MANUFACTURE TO BE COMPLIANT WITH EU RoHS DIRECTIVE, USE MATERIALS THAT DO NOT CONTAIN REACH SUBSTANCES OF VERY HIGH CONCERN >1000ppm, AND USE DRC CONFLICT-FREE SOURCED MATERIALS.
  - ELECTRICAL SPECIFICATIONS ARE LISTED FOR REFERENCE ONLY. SEE LINX DATA SHEET FOR ELECTRICAL PROPERTIES.
    - IMPEDANCE: 50Ω
    - FREQUENCY:
      - BAND 1: 860-960MHz AT ≤1.5 TYP VSWR
      - BAND 2: 1.71-1.88GHz AT ≤2.7 TYP VSWR
  - MECHANICAL:
    - TNC TYPE INTERFACE IAW [MIL-STD-348B]
    - SMA TYPE INTERFACE IAW [MIL-STD-348B]
    - RPS TYPE INTERFACE PER [SPC-CON-IFC-RPS]
    - MAX PANEL THICKNESS: 7.00mm
    - CABLE RG58/U COAX BLACK
    - TEMP RANGE -20° - 60°C
    - MATERIAL: TPR RADOME W/PVC BODY
  - PRODUCT QUALIFIED IAW 108-161079 AT LATEST REVISION
  - PACKAGE ANTENNAS INDIVIDUALLY TO PROTECT DURING SHIPMENT 11X350SEALED PE BAG 50PC/CARTON



PART NUMBER	CONNECTOR
ANT-DB1-RMS-SMA	SMA
ANT-DB1-RMS-RPS	RP-SMA
ANT-DB1-RMS-TNC	TNC

THIS DRAWING IS A CONTROLLED DOCUMENT.		DWN	JHAGER	12/8/23
		CHK	CMURPHY	12/8/23
		APVD	HARRY C	12/8/23
		PRODUCT SPEC	108-161079	
		APPLICATION SPEC	-	
		WEIGHT	219.05	g
MATERIAL		FINISH		
TPR/PVC				



## ANTENNA DUAL BAND RMS PANEL MOUNTED OUTDOOR

SIZE	CAGE CODE	DRAWING NO	RESTRICTED TO
A3	00779	ANT-DB1-RMS-CCC	-
CUSTOMER DRAWING		SCALE	SHEET
		1:1	1 OF 1