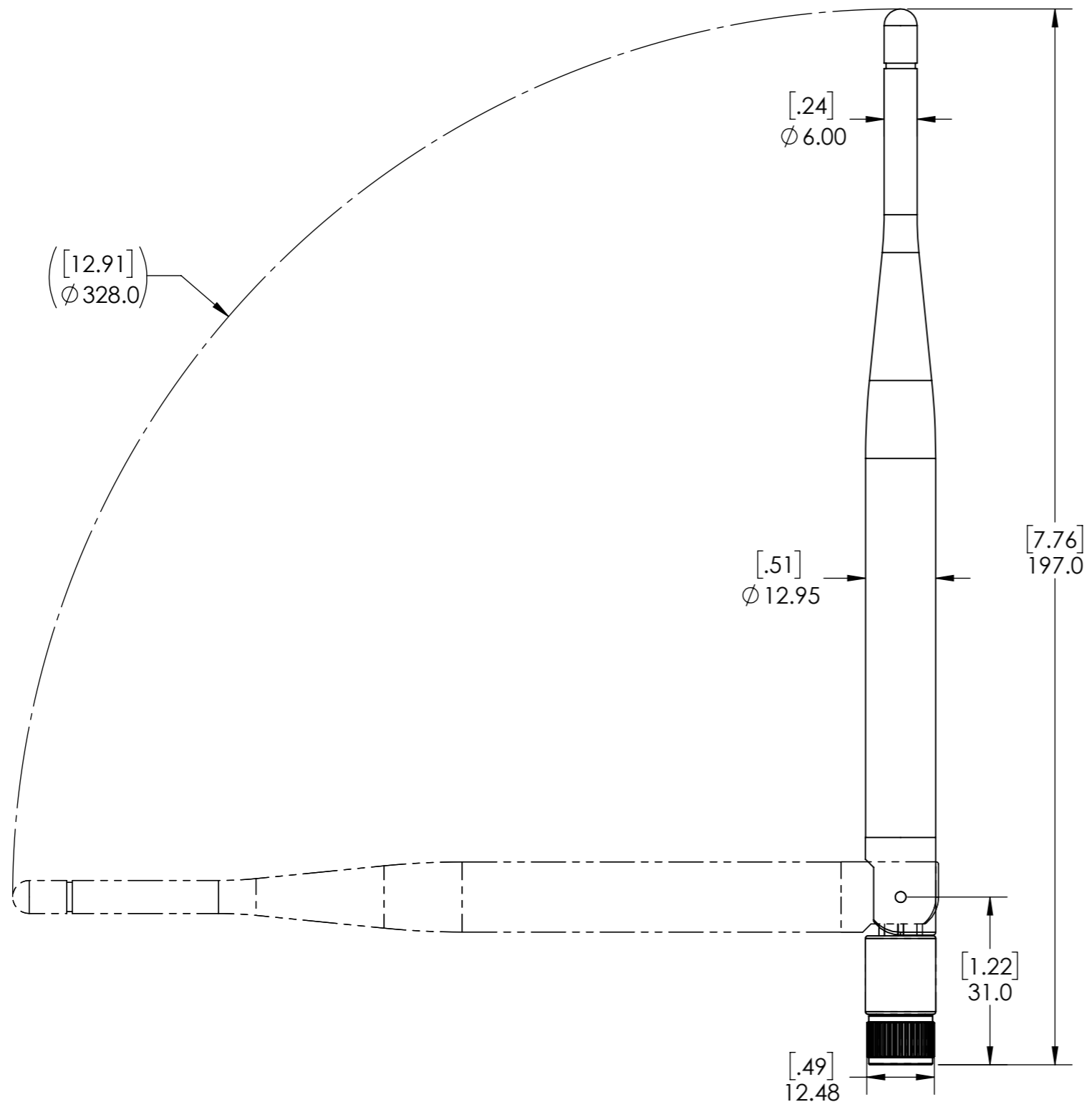


REVISIONS			
REV	DESCRIPTION	DATE	APPV
A	INITIAL CUSTOMER DRAWING RELEASE	12/12/2023	CM

THIS DRAWING IS A CONTROLLED DOCUMENT DWG NO ANT-5GMWP1-SMA



- DIMENSIONS APPLY AFTER FINISHING.
- MANUFACTURE TO BE COMPLIANT WITH EU RoHS DIRECTIVE, USE MATERIALS THAT DO NOT CONTAIN REACH SUBSTANCES OF VERY HIGH CONCERN >1000ppm, AND USE DRC CONFLICT-FREE SOURCED MATERIALS.
- ELECTRICAL SPECIFICATIONS ARE LISTED FOR REFERENCE ONLY. SEE DATA SHEET FOR ELECTRICAL PROPERTIES.
 - IMPEDANCE: 50Ω
 - TYPE: LINEAR OMNIDIRECTIONAL
 - 1/2 WAVE DIPOLE
 - FREQUENCY:
 - CBRS BAND: 3.55-3.7GHz @ ≤1.7 TYP VSWR
 - C-BAND: 3.7-4.2GHz @ ≤2.2 TYP VSWR
 - PUBLIC SAFETY: 4.94-4.99GHz @ ≤1.4 VSWR
- MECHANICAL:
 - SMA TYPE INTERFACE IAW [MIL-STD-348B]
 - PRODUCT QUALIFIED IAW 108-161079 AT LATEST REVISION
 - OPERATING TEMPERATURE: -20°C +65°C
 - STORAGE TEMPERATURE: -30°C - +70°C
 - RATED IP67
- PACK ANTENNAS INDIVIDUALLY FOR SHIPMENT 300PC / CARTON 290 X 230 X 325

THIS DRAWING IS A CONTROLLED DOCUMENT.		DWN JHAGER 11/30/23				
		CHK CLEWIS 11/30/23				
		APVD HARRY C 11/30/23	ANTENNA WHIP 5G/CBRS SWIVEL SMA INDOOR ANTENNA			
		PRODUCT SPEC 108-161079				
		APPLICATION SPEC -	SIZE A3	CAGE CODE 00779	DRAWING NO ANT-5GMWP1-SMA	RESTRICTED TO -
MATERIAL PU TPE		FINISH	WEIGHT 7 g	SCALE 1:1	SHEET 1 OF 1	REV A
CUSTOMER DRAWING						

DIMENSIONS: mm		TOLERANCES UNLESS OTHERWISE SPECIFIED:	
		0 PLC	± 3
		1 PLC	± 2.0
		2 PLC	± 0.50
		3 PLC	
		4 PLC ANGLES	± 30'