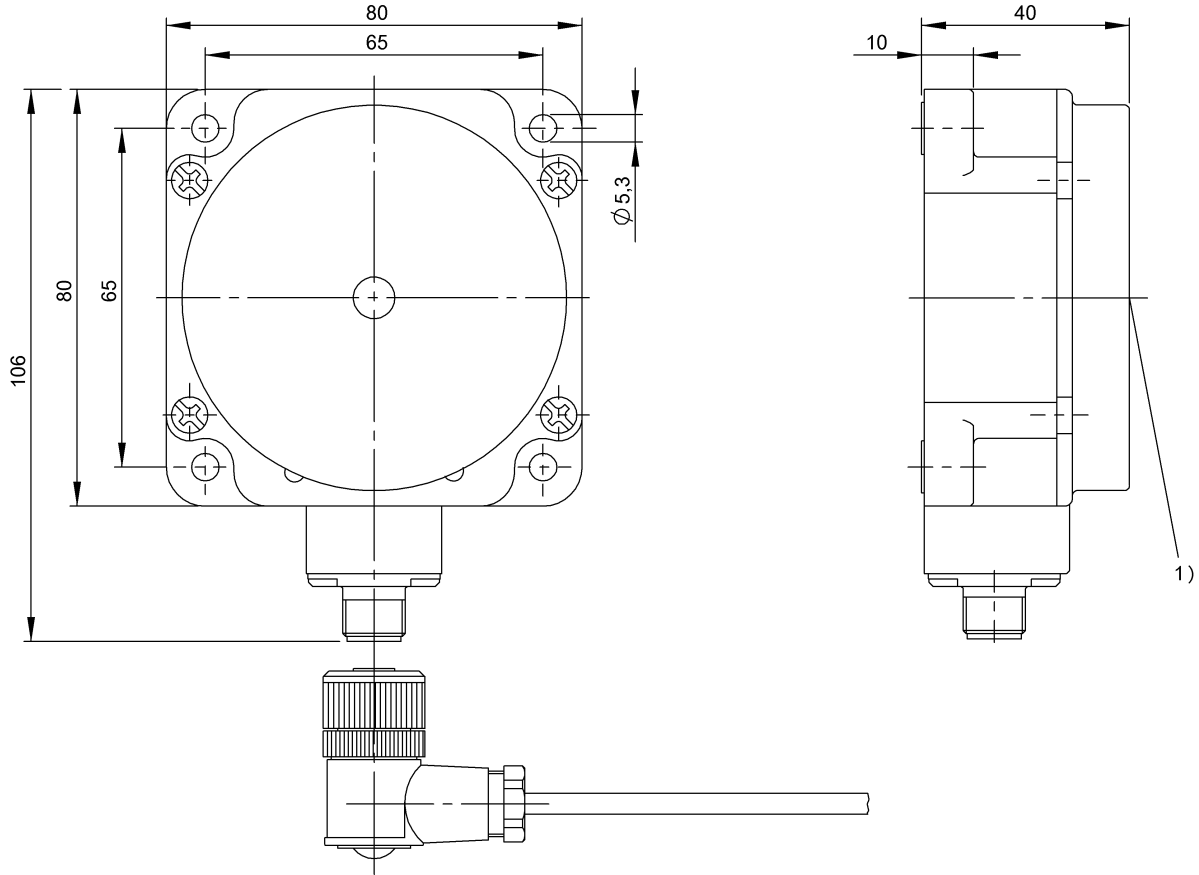


LF (70/455 kHz)  
**BIS C-315/10-S4**  
**Order Code: BIS006Z**

**BALLUFF**



1) Sensing surface



**Basic features**

Antenna type	round
Approval/Conformity	CE UKCA cULus WEEE
EN 55011	Size 1, Cl. A
Principle of operation	Read/write head

**Electrical connection**

Connection	M12x1-Male
------------	------------

**Environmental conditions**

Ambient temperature	0...70 °C
Continuous shock load	yes
EN 60068-2-27, Shock	yes
EN 60068-2-32 Free fall	yes
EN 60068-2-6, Vibration	yes
IP rating	IP67
Storage temperature	-20...85 °C

**Functional safety**

MTTF (40 °C)	15080 a
--------------	---------

**Material**

Housing material	PBT
------------------	-----

**Mechanical data**

Application weight	410.00 g
Dimension	80 x 40 x 80 mm
Installation	metal-free (clear zone) on metal flush in metal

LF (70/455 kHz)  
**BIS C-315/10-S4**  
**Order Code: BIS006Z**

**BALLUFF**

#### Remarks

---

ATTENTION: 10m cable length reduces the read/write distance by 10 %

Specified relative speed refers to reading/writing the first 4 bytes from the first page.

For basic equipment order cable also e.g.: BIS C-505-PU1-10 BIS C-505-PU-10 BIS C-506-PU1-10 BIS C-506-PU-10 BIS C-517-PVC-10 BIS C-518-PVC-10

Only together with converter BIS C-901 or BIS C-6xx

Time specification includes data check.

Values are under rated conditions unless otherwise specified.

For more information about MTTF and B10d see MTTF / B10d Certificate

Indication of the MTTF- / B10d value does not represent a binding composition and/or life expectancy assurance; these are simply experiential values with no warranty implications. These declared values also do not extend the expiration period for defect claims or affect it in any way.

#### Help Views

**BIS C-315-\_\_**

	BIS C-104-_/A	BIS C-108-_/L	BIS C-108-_/L-SA2	BIS C-117-05/A	BIS C-117-05/L	BIS C-127-05/L	BIS C-128-_/L	BIS C-130-05/L	BIS C-133-_/L	BIS C-134-11/L	BIS C-190-_/L		
passende Datenträger Appropriate data carriers	bündig / flush	nicht bündig / non-flush	nicht bündig / non-flush	bündig / flush	nicht bündig / non-flush	BIS C-127-05/L	nicht bündig / non-flush	BIS C-130-05/L	nicht bündig / non-flush	BIS C-134-11/L	BIS C-190-_/L	nicht bündig / non-flush	
<b>statischer Betrieb</b>													
<b>Static mode</b>													
Schreibabstand in mm Write distance in mm	1-13	2-16	2-16	0-15	0-18	10-30	0-18	0-18	0-15	0-16	0-20		
Leseabstand in mm Read distance in mm	1-13	2-16	2-16	0-15	0-18	10-30	0-18	0-18	0-15	0-16	0-20		
Versatz in mm bei Abstand von	±15	±15	±15	±15	±17	±30	±17	±16	±17	±16	±18		
	0,7												
	1												
	2												
	3												
	4												
	5												
	6												
	7												
	10												
	15												
	20												
	35												
	42												
	60												
Offset in mm at distance	±10	±11	±10	±12	±15	±30	±15	±14	±14	±14	±18		
	±8	±8	±8	±12	±15	±30	±15	±14	±14	±12	±18		
					±14	±27	±14	±11			±16		
						±20							